



Chipsmall Limited consists of a professional team with an average of over 10 year of expertise in the distribution of electronic components. Based in Hongkong, we have already established firm and mutual-benefit business relationships with customers from,Europe,America and south Asia,supplying obsolete and hard-to-find components to meet their specific needs.

With the principle of “Quality Parts,Customers Priority,Honest Operation,and Considerate Service”,our business mainly focus on the distribution of electronic components. Line cards we deal with include Microchip,ALPS,ROHM,Xilinx,Pulse,ON,Everlight and Freescale. Main products comprise IC,Modules,Potentiometer,IC Socket,Relay,Connector.Our parts cover such applications as commercial,industrial, and automotives areas.

We are looking forward to setting up business relationship with you and hope to provide you with the best service and solution. Let us make a better world for our industry!



Contact us

Tel: +86-755-8981 8866 Fax: +86-755-8427 6832

Email & Skype: info@chipsmall.com Web: www.chipsmall.com

Address: A1208, Overseas Decoration Building, #122 Zhenhua RD., Futian, Shenzhen, China



PRODUCT NUMBER

75869-YXXLF

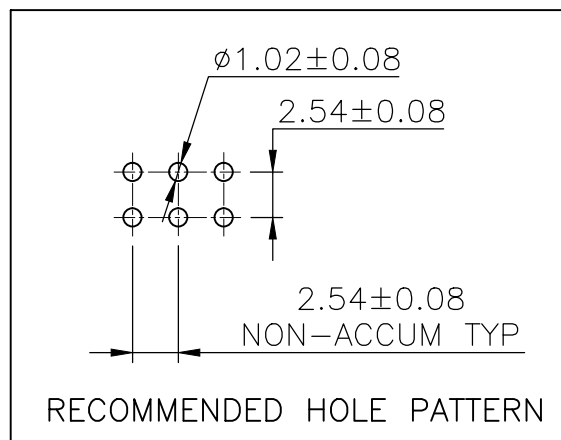
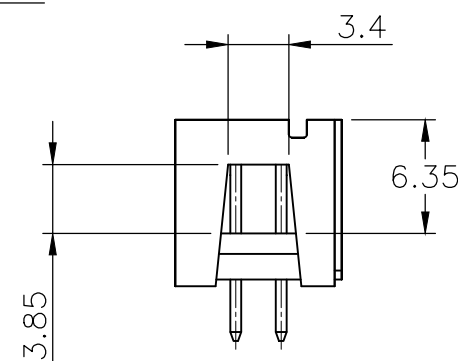
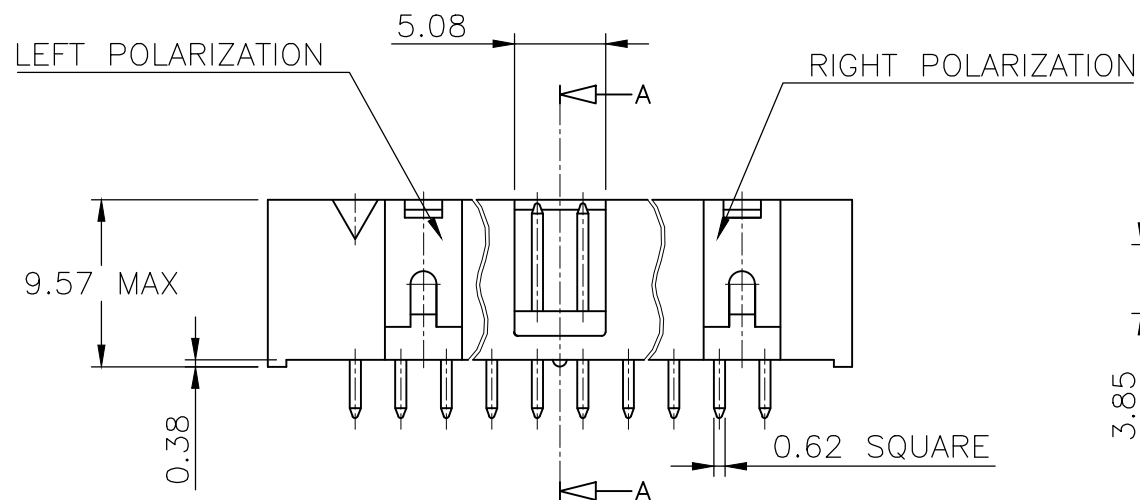
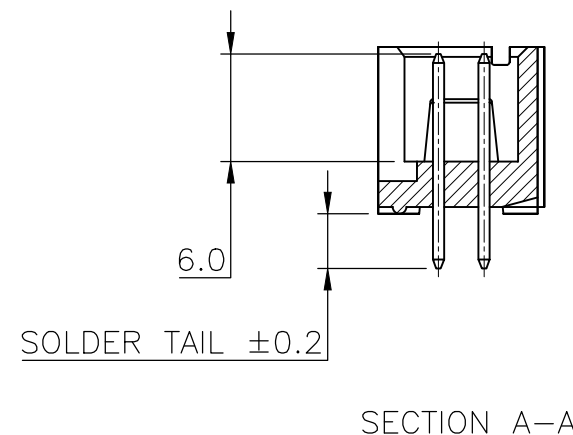
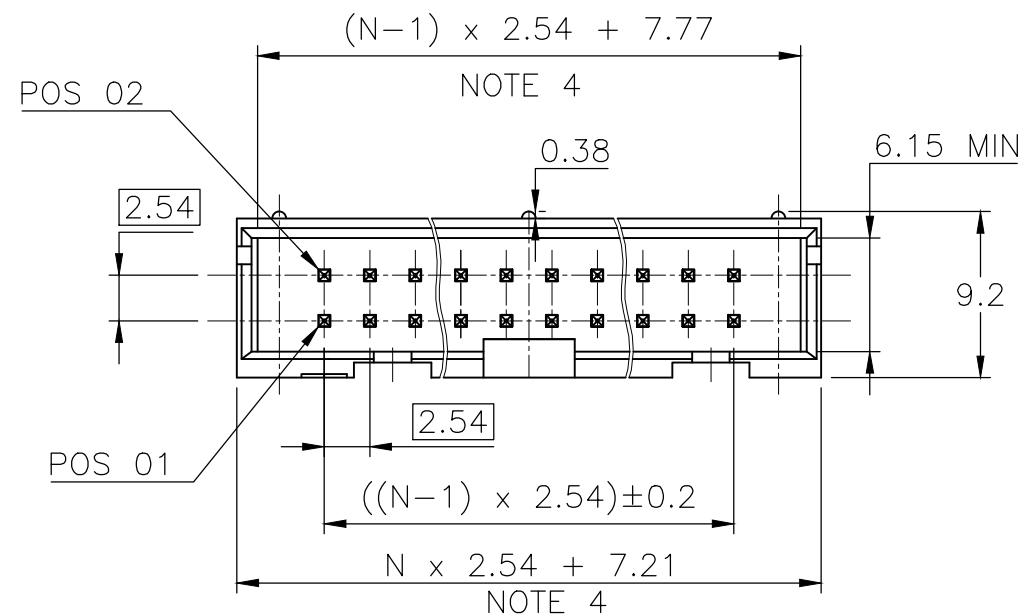
RoHS COMPATIBLE, SEE NOTE 5

PIN STYLE, SEE SHEET 2 & 3.

PLATING SEE SHEET 2 & 3.

NOTES:

- 1 - HOUSING MAT'L : GLASS FILLED THERMOPLASTIC. UL94V-0 COLOR: BLUE PART MEETS WITH GWT (725°C;960°C)
- 2 - PIN MATERIAL : PHOSPHOR BRONZE
- 3 - PACKAGING : POLYBAGS FROM 2X02 TO 2X04 POSITIONS TUBE FROM 2X05 TO 2X32 POSITIONS
- 4 - TO DETERMINE DIMENSIONS : N = NUMBER OF POSITIONS PER ROW EXAMPLE : 8 POS N x 2.54 = 20.32mm
- 5 - RoHS COMPATIBLE PRODUCT SPECIFICATIONS
 - a - PLATING:
 - "LF" MEANS THE PRODUCT IS LEAD-FREE, 2µm MINIMUM MATTE TIN OVER 1.27µm MINIMUM NICKEL UNDERPLATE.
 - b - MANUFACTURING PROCESS COMPATIBILITY
 - THE HOUSING WILL WITHSTAND EXPOSURE TO 260°C ±5°C SOLDER BATH TEMPERATURE FOR 5 SECONDS IN A WAVE SOLDER APPLICATION WITH A 1.6mm MIN THICK CIRCUIT BOARD.
 - c - LABELLING:
 - MEETS PACKAGING SPECS AS PER GS-14-920
 - d - LEGAL STATEMENT: SEE GS-47-0004



mat'l. code SEE NOTES				surface ISO 1302	tolerance ISO 406 ISO 1101	projection mm	product family QUICKIE
ltr	ecn no	dr	date	tolerances unless otherwise specified		scale 2.5:1	title SHR.LP.HEADER STR DR TMT
BK	F12-0086	JCO	12.07.17	angles	.X ±0.3		
BL	F12-0805	LMU	12.10.25	linear	.XX ±0.13	FCI	sheet 1 of 3 75869 A3
BM	B-18120	LMU	14.07.10		.XXX ±0.05		
BN	B-19070	LMU	14.10.15	dr	D.LE 01.01.24	type CUSTOMER Drawing	
BP	B-19091	LMU	14.10.16	engr	JM.C 01.01.24		
BR	B-20087	AMA	15.01.26	chr	JF.N 01.01.24		
				appd	JM.C 01.01.24		
sheet index	revision sheet	BR 1	BE 2	K 3			

1

2³

4

5

6

STANDARD APPLICATION

PIN STYLE	NUMBER OF POSITIONS	SOLDER TAIL REF	LEFT POLARIZATION	RIGHT POLARIZATION
30	2 x 2	3.05	NO	NO
31	2 x 3	3.05	NO	NO
32	2 x 4	3.05	NO	NO
01	2 x 5	3.05	NO	YES
02	2 x 7	3.05	NO	YES
03	2 x 8	3.05	YES	YES
04	2 x 10	3.05	YES	YES
05	2 x 13	3.05	YES	YES
33	2 x 15	3.05	YES	YES
06	2 x 17	3.05	YES	YES
07	2 x 20	3.05	YES	YES
08	2 x 25	3.05	YES	YES
09	2 x 30	3.05	YES	YES
10	2 x 32	3.05	YES	YES

PLATING :

- 1 = 0.76µm GOLD/GXT
(PdNi WITH GOLD FLASH) ON CONTACT AREA
2µm MIN MATTE TIN ON TAIL
- 2 = 2µm TIN MIN FULL PLATED
- 3 = 0.38µm GOLD/GXT
(PdNi WITH GOLD FLASH) ON CONTACT AREA
2µm MIN MATTE TIN ON TAIL

UNDERPLATE : 1.27µm Ni MIN



FCIconnect.com

Copyright FCI

mat'l. code		surface		tolerance		projection		product family	
		ISO 1302 ✓		ISO 406 ISO 1101				QUICKIE	
ltr	ecn no	dr	date	tolerances unless otherwise specified		mm		title	
BC	F08-0137	LMU	08.03.10	angles	linear			SHR.LP.HEADER	
BD	F08-0146	YOV	08.04.11			scale N/A		STR DR TMT	
BE	B-19091	LMU	14.10.16					dwg no	
AY	F04-0389	JCO	04.12.22	dr	D.LE	01.01.24	sheet 2 of - size		
BA	F06-0229	LMU	06.07.18	enrg	JM.C	01.01.24	75869 A3		
BB	F07-0198	LMU	07.05.30	chr	JF.N	01.01.24	type		
sheet index		revision sheet						CUSTOMER Drawing	



APPLICATION SPECIFIC

PIN STYLE	NUMBER OF POSITIONS	SOLDER TAIL REF	PIN MISSING	LEFT POLARIZATION	RIGHT POLARIZATION
65	2x02	4.10		NO	NO
44	2x03	3.05	PIN 2	NO	NO
40	2x03	3.05	PIN 6	NO	NO
51	2x03	7.60		NO	NO
41	2x04	3.05	PIN 1	NO	NO
55	2x04	3.05	PIN 8	NO	NO
64	2x04	4.10		NO	YES
59	2x05	3.05	PIN 1,2,9,10	NO	YES
60	2x05	3.05	PIN 9	NO	YES
37	2x07	3.05	PIN 1	NO	YES
13	2x07	3.05	PIN 5	NO	YES
46	2x07	3.05	PIN 6	NO	YES
12	2x07	3.05	PIN 7	NO	YES
57	2x07	3.05	PIN 12	NO	YES
11	2x07	3.05	PIN 13	NO	YES
56	2x07	3.05	PIN 14	NO	YES
43	2x08	3.05	PIN 6 & 7	YES	YES
38	2x10	3.05	PIN 2	YES	YES
34	2x10	3.05	PIN 15	YES	YES
58	2x10	3.05	PIN 18	YES	YES
63	2x10	7.60		YES	YES
35	2x13	3.05	PIN 26	YES	YES
25	2x13	7.60		YES	YES
54	2x15	7.60		YES	YES
19	2x15	4.10		YES	YES
17	2x17	3.05	PIN 3	YES	YES
39	2x17	3.05	PIN 5	YES	YES
26	2x17	7.60		YES	YES
15	2x20	3.05	PIN 8	YES	YES
16	2x20	3.05	PIN 17	YES	YES
18	2x20	3.05	PIN 20	YES	YES
36	2x20	3.05	PIN 37	YES	YES
45	2x20	3.05	PIN 25,27,28	YES	YES
27	2x20	7.60		YES	YES
42	2x25	3.05	PIN 25	YES	YES
28	2x25	7.60		YES	YES
62	2x25	4.10		YES	YES



PLATING :

- 1 = 0.76µm GOLD/GXT
(PdNi WITH GOLD FLASH) ON CONTACT AREA
2µm MIN MATTE TIN ON TAIL
- 2 = 2µm TIN MIN FULL PLATED
- 3 = 0.38µm GOLD/GXT
(PdNi WITH GOLD FLASH) ON CONTACT AREA
2µm MIN MATTE TIN ON TAIL

UNDERPLATE : 1.27µm Ni MIN



Copyright FCI

mat'l. code		surface		tolerance		projection		product family	
		ISO 1302 ✓		ISO 406 ISO 1101				QUICKIE	
ltr		ecn no		dr		date		title	
H		B-18120		LMU		14.07.10		SHR.LP.HEADER STR DR TMT	
J		B-19091		LMU		14.10.16			
K		B-20087		AMA		15.01.26			
				dr		MULIN.L		scale N/A	
E		F08-0146		YOV		08.04.11		dwg no	
F		F10-0217		LMU		10.09.16		sheet 3 of - size	
G		F12-0086		JCO		12.07.17		75869 A3	
				enr		COMPAGNON.J		type	
				chr		NOTTEAU.JF		CUSTOMER Drawing	
				appd		JM.C			
sheet		revision							
index		sheet							