



Chipsmall Limited consists of a professional team with an average of over 10 year of expertise in the distribution of electronic components. Based in Hongkong, we have already established firm and mutual-benefit business relationships with customers from,Europe,America and south Asia,supplying obsolete and hard-to-find components to meet their specific needs.

With the principle of "Quality Parts,Customers Priority,Honest Operation,and Considerate Service",our business mainly focus on the distribution of electronic components. Line cards we deal with include Microchip,ALPS,ROHM,Xilinx,Pulse,ON,Everlight and Freescale. Main products comprise IC,Modules,Potentiometer,IC Socket,Relay,Connector.Our parts cover such applications as commercial,industrial, and automotives areas.

We are looking forward to setting up business relationship with you and hope to provide you with the best service and solution. Let us make a better world for our industry!



Contact us

Tel: +86-755-8981 8866 Fax: +86-755-8427 6832

Email & Skype: info@chipsmall.com Web: www.chipsmall.com

Address: A1208, Overseas Decoration Building, #122 Zhenhua RD., Futian, Shenzhen, China



PRODUCT NUMBER
75915-YXXXLF

RoHS COMPATIBLE, SEE NOTE 6

OPTIONAL LETTER.

G: HIGH TEMPERATURE BLACK PRODUCT.

H: HIGH TEMPERATURE GREY PRODUCT.

NUMBER OF POSITIONS: 02 TO 50.

PLATING CODE

3 = 0.76µm GOLD ON CONTACT AREA.

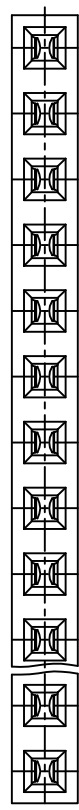
2µm MIN MATTE TIN ON TAIL.

4 = 2µm MIN MATTE TIN FULL PLATED

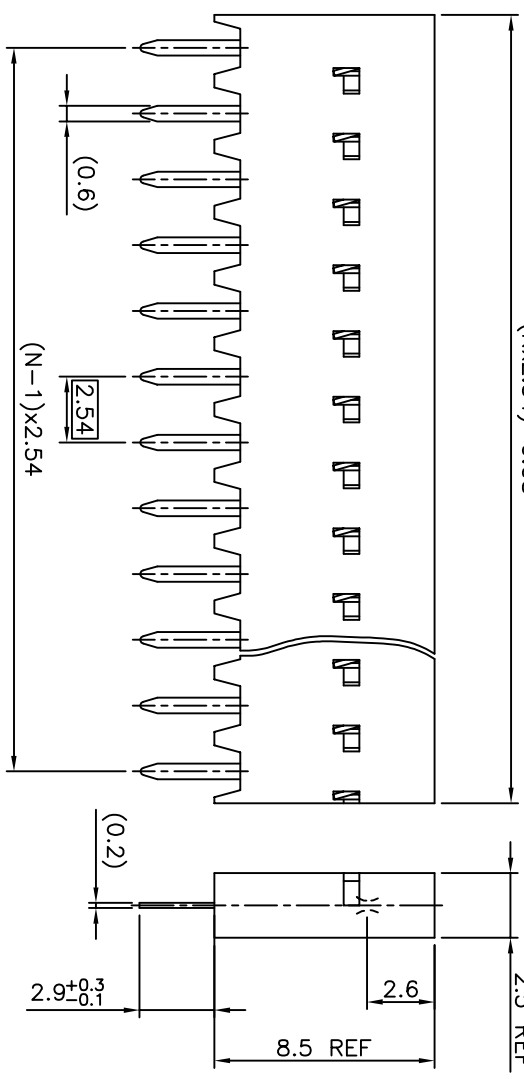
8 = 0.38µm GOLD ON CONTACT AREA.

2µm MIN MATTE TIN ON TAIL.

1.27µm Ni MIN UNDERPLATING



(N x 2.54) - 0.08



NOTES:

- 1 - HOUSING MAT'L: THERMOPLASTIC GLASS FILLED FLAME RETARDANT PER UL 94 V-0. LOW TEMPERATURE: COLOR BLUE. HIGH TEMPERATURE: COLOR GREY OR BLACK.
- 2 - TERMINAL MATERIAL: PHOSPHOR BRONZE.
- 3 - 2 UP TO 4 POSITIONS PRODUCT PACKED IN PLASTIC BOX.
- 5 UP TO 50 POSITIONS PRODUCT PACKED IN TUBE.
- 4 - TO DETERMINE DIMENSIONS:
N = NUMBER OF POSITIONS
EXAMPLE: 8 POS: (N x 2.54) - 0.08 = 20.24 mm
- 5 - HE13 PRINTING ON 75915-3xx PRODUCT.
- 6 - RoHS COMPATIBLE PRODUCT SPECIFICATIONS
- d - PLATING:
 - "LF" MEANS THE PRODUCT IS LEAD-FREE, 2µm MINIMUM MATTE TIN OVER 1.27µm MINIMUM NICKEL UNDERPLATE.
- b - MANUFACTURING PROCESS COMPATIBILITY
 - THE HOUSING WILL WITHSTAND EXPOSURE TO 260°C ±5°C SOLDER BATH TEMPERATURE FOR 5 SECONDS IN A WAVE SOLDER APPLICATION WITH A 1.6mm MIN THICK CIRCUIT BOARD.
- c - LABELING:
 - MEETS PACKAGING SPECS AS PER GS-14-920
- d - LEGAL STATEMENT: SEE GS-47-0004
- 7 - PRINTING & HOLE PATTERN SEE NEXT SHEET.

mat'l. code	surface	tolerance	projection	product family
ecm no	ISO 1302	ISO 406	ISO 1101	DUBOX
SEE NOTE 1	✓	40.3	mm	
AD F06-0204 DLE 06.06.20	tolerances unless otherwise specified			
AE F07-0109 DLE 07.01.16	linear			
AF F09-0036 LMU 09.03.16	4#		scale 5:1	
AG B-19123 LMU 14.10.21	D.LEGRAND	96.04.01		
	engr	P.NIZZI	96.04.01	
AB F05-0236 DLE 05.08.08	cht	D.LEGRAND	96.04.01	
AC F06-0156 DLE 06.03.17	apptd	P.NIZZI	96.04.01	
sheet	revision	AG	D	
index	sheet	1	2	

title
B1B RECEPT.
VERT SR TMT

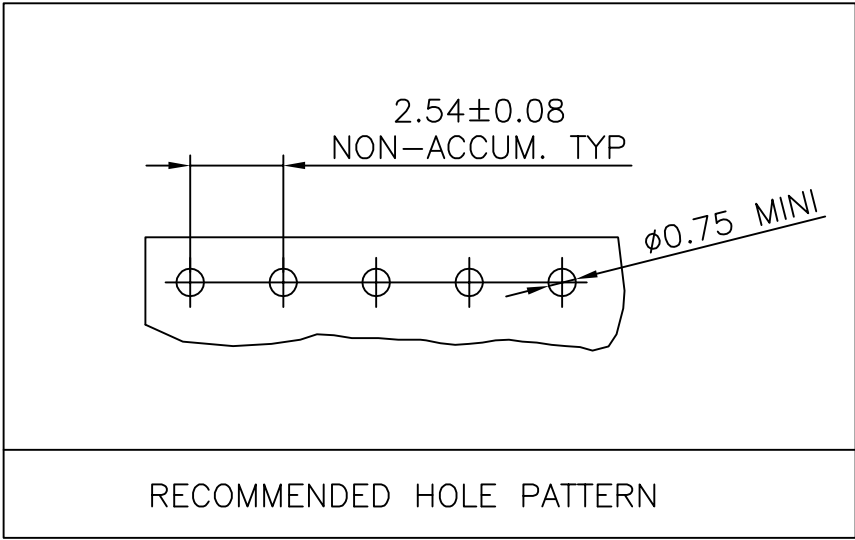
dwg no
75915

sheet 1 of 2

size
A3

type
CUSTOMER

Drwing



Copyright FCI

mat'l. code SEE SHEET 1				surface ISO 1302 <input checked="" type="checkbox"/>	tolerance ISO 406 ISO 1101	projection 	product family DUBOX												
ltr	ecn no	dr	date	tolerances unless otherwise specified		mm 	title BtB RECEPT. VERT SR TMT												
A	F04-0347	DLE	04.09.23	angles	±0.3														
B	F05-0230	DLE	05.08.08	linear	±2'	scale N/A	dwg no 75915 sheet 2 of - size A4												
C	F06-0204	DLE	06.06.20																
D	F07-0109	DLE	07.01.16	dr	D.LEGRAND	04.09.23	type CUSTOMER Drawing												
				enr	P.NIZZI	04.09.23													
				chr	D.LEGRAND	04.09.23													
				appd	P.NIZZI	04.09.23													
sheet index	revision sheet																		