



Chipsmall Limited consists of a professional team with an average of over 10 year of expertise in the distribution of electronic components. Based in Hongkong, we have already established firm and mutual-benefit business relationships with customers from,Europe,America and south Asia,supplying obsolete and hard-to-find components to meet their specific needs.

With the principle of "Quality Parts,Customers Priority,Honest Operation,and Considerate Service",our business mainly focus on the distribution of electronic components. Line cards we deal with include Microchip,ALPS,ROHM,Xilinx,Pulse,ON,Everlight and Freescale. Main products comprise IC,Modules,Potentiometer,IC Socket,Relay,Connector.Our parts cover such applications as commercial,industrial, and automotives areas.

We are looking forward to setting up business relationship with you and hope to provide you with the best service and solution. Let us make a better world for our industry!



Contact us

Tel: +86-755-8981 8866 Fax: +86-755-8427 6832

Email & Skype: info@chipsmall.com Web: www.chipsmall.com

Address: A1208, Overseas Decoration Building, #122 Zhenhua RD., Futian, Shenzhen, China



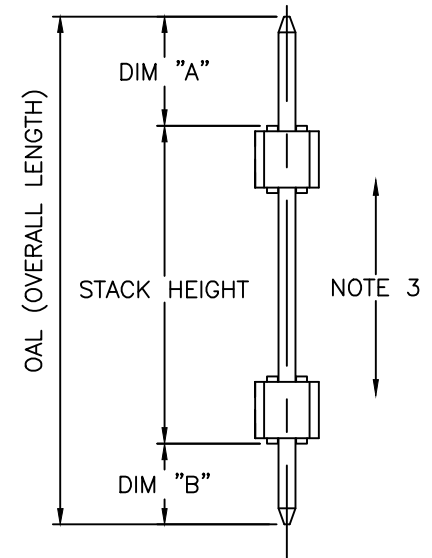
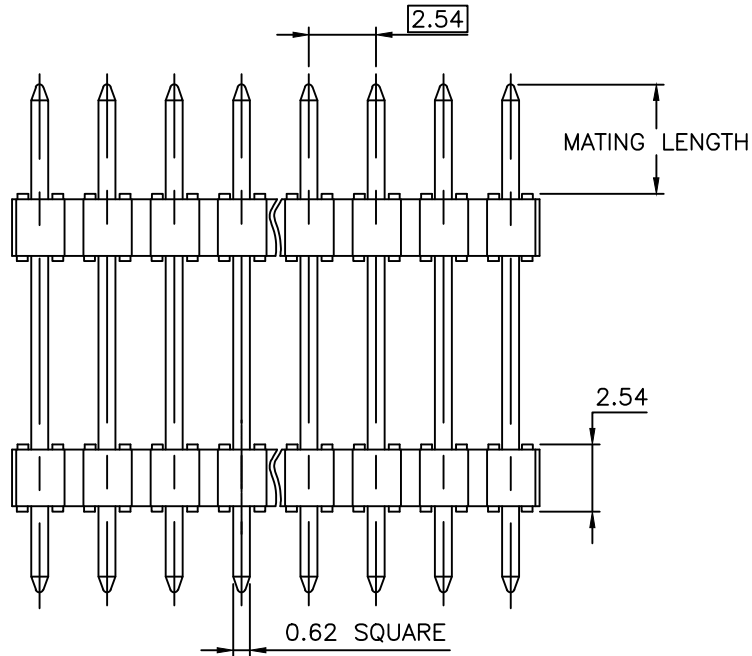
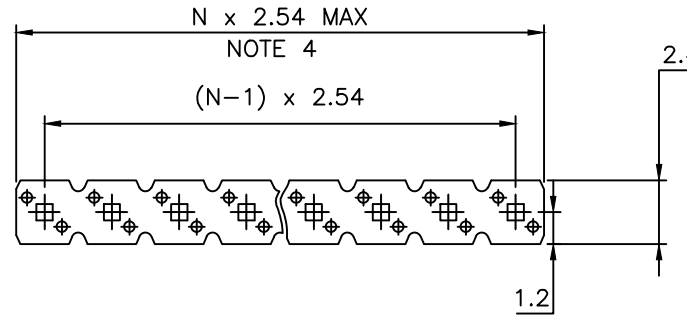
PRODUCT NUMBER
75970-YXX-XXLF

RoHS COMPATIBLE, SEE NOTE 7
TOTAL NB OF POS (02 TO 36 POS)

PLATING- PIN STYLE

1 = 0.76µm FULL GOLD/GXT,
3 = 2µm MIN MATTE TIN FULL PLATED
7 = FULL GOLD FLASH,
5/8 = 0.38µm FULL GOLD/GXT,

S1 = 0.76µm GOLD/GXT, AREA "A" & "B" ONLY
1.27µm Ni MIN ON REMAINDER AREA
S8 = 0.38µm GOLD/GXT, AREA "A" & "B" ONLY
1.27µm MIN NICKEL UNDERPLATING



NOTES:

- HOUSING MAT'L : HIGH TEMPERATURE THERMOPLASTIC. UL94V-0 COLOR: BLACK.
- PIN MATERIAL : PHOSPHOR BRONZE.
- 12N MIN RETENTION IN EITHER DIRECTION.
- TO DETERMINE DIMENSIONS :
N = NUMBER OF POSITIONS PER ROW
EXAMPLE : 8 POS PER ROW, N x 2.54 = 20.32mm
- FOR STANDARD SELECTIVE GOLD PLATED PRODUCTS SEE DRAWINGS 54111 & 54121.
- STANDARD PACKAGING IN POLYBAGS.

7. RoHS COMPATIBLE PRODUCT SPECIFICATIONS

a - PLATING:

- "LF" MEANS THE PRODUCT IS LEAD-FREE, 2µm MINIMUM MATTE TIN OVER 1.27µm MINIMUM NICKEL UNDERPLATE.

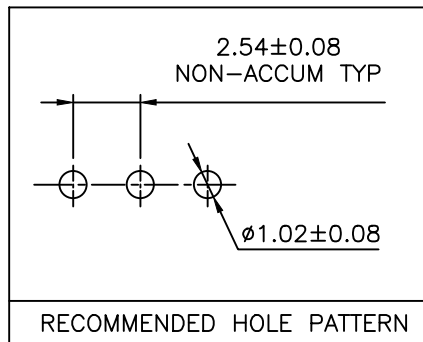
b - MANUFACTURING PROCESS COMPATIBILITY

- THE HOUSING WILL WITHSTAND EXPOSURE TO 260°C ±5°C SOLDER BATH TEMPERATURE FOR 5 SECONDS IN A WAVE SOLDER APPLICATION WITH A 1.6mm MIN THICK CIRCUIT BOARD.

c - LABELING:

- MEETS PACKAGING SPECS AS PER GS-14-920

d - LEGAL STATEMENT: SEE GS-47-0004.



mat'l. code		surface		tolerance		projection		product family	
SEE P/N		ISO 1302		ISO 406 ISO 1101		mm		BSTIK	
ltr	ecn no	dr	date	tolerances unless otherwise specified		mm		title	
DG	F-22058	BVE	15.09.28	angles	linear	mm		HEADER STR,SR	
DH	F-22107	AMA	15.10.08			scale 5:1		DOUBLE BODY	
DJ	F-22317	AMA	15.10.27					dwg no	
DK	F-24965	DDE	16.09.19	dr	COMPAGNON J	94.07.01		sheet 1 of 3	
				engr	JMC	95.09.25		size	
DE	B-16687	LMU	14.01.08	chr				75970	
DF	B-19264	LMU	14.11.03	appd	JMC	95.09.25		A3	
sheet	revision	DK	CG	B				type	
index	sheet	1	2	3				CUSTOMER Drawing	

1

2,3

4

5

6

APPLICATION SPECIFIC				
PIN STYLE	DIM "A" ±0.2	STACK HEIGHT ±0.25	DIM "B" ±0.25	("OAL") REF
01	9.99	13	3.05	26.04
04	6.33	6.5	3.05	15.88
05	11.69	11.3	3.05	26.04
06	8.71	19.76	2.65	31.12
08	5.51	8	3.05	16.56
09	6.61	11.3	3.05	20.96
10	3.14	19.76	3.14	26.04
11	3.55	16.4	3.55	23.5
12	5.72	5.08	2.54	13.34
15	7.46	9.5	4	20.96
16	5.59	13	3.05	21.64
20	5.6	6.5	2.88	14.98
21	7.5	10.45	3.01	20.96
22	7.5	15.45	3.09	26.04
25	17.3	15.7	3.2	36.2
26	9.1	15.7	3.2	28
29	8.23	16	3.2	27.43
30	2.8	13.7	2.8	19.3
31	3.11	5.08	3.11	11.3
36	5.9	10.39	3.01	19.3
41	9.45	5.5	2.7	17.65
56	10	19	3	32
58	6.5	30.5	3	40
68	6.87	16.5	3.05	26.42
69	6.87	13	3.63	23.5
75	3.1	11.45	3.1	17.65
90	7.8	33.5	3.15	44.45
93	3.3	6.5	3.3	13.08

SEE SHEET 3

APPLICATION SPECIFIC				
PIN STYLE	DIM "A" ±0.2	STACK HEIGHT ±0.25	DIM "B" ±0.25	("OAL") REF
94	3.3	7.72	3.3	14.32
AA	4.05	10.5	3.1	17.65
AB	4	29	3.2	36.2
AJ	1.4	6.5	3.4	11.3
AK	11	6	11	28
AL	8.5	6	8.5	23.0
AM	5.6	29.3	3.05	37.95
AN	12.0	26.45	6.0	44.45
AP	3.42	37.60	3.43	44.45
AR	4.00	28.00	3.70	35.70
AS	8.08	5.08	2.74	15.90
AT	4.25	31.50	4.25	40.00
AU	7.94	5.08	7.94	20.96
AV	17.50	26.50	6.00	50.00
AW	4.95	6.00	4.95	15.90
AX	2.66	15.00	5.84	23.50
AY	8.60	6.00	8.60	23.20
BA	SEE SHEET 3			
BB	SEE SHEET 3			
BC	16.65	14.70	6.00	37.30
BD	7.01	5.25	9.39	21.65
BE	3.00	13.00	3.00	19.00

SEE SHEET 3

SEE SHEET 3

SEE SHEET 3



FCconnect.com

Copyright FCJ

mat'l. code		surface ISO 1302 <input checked="" type="checkbox"/> ISO 406 ISO 1101		tolerance tolerances unless otherwise specified		projection 		product family BSTIK	
ltr		ecn no		dr		date		title	
CA		F12-009D		JFA		12.12.07		HEADER STR,SR DOUBLE BODY	
CB		B-16687		LMU		14.01.08			
CD		B-19264		LMU		14.11.03			
CE		F-22058		BVE		15.09.28			
CF		F-22107		AMA		15.10.08		scale	
CG		F-22317		AMA		15.10.27		mm	
				dr		COMPAGNON J		94.07.01	
				enfr		PHAMVAN JM		95.03.21	
				chr		COMPAGNON J		95.03.21	
				appd		JM P		95.03.21	
sheet index		revision sheet						dwg no 75970	
								sheet 2 of A3	
								type CUSTOMER Drawing	



form: A3

1

2

3

4

5

6

1

2

4

5

6

SPECIFIC PRODUCT NUMBER

75970-3BAA03LF

PLATING

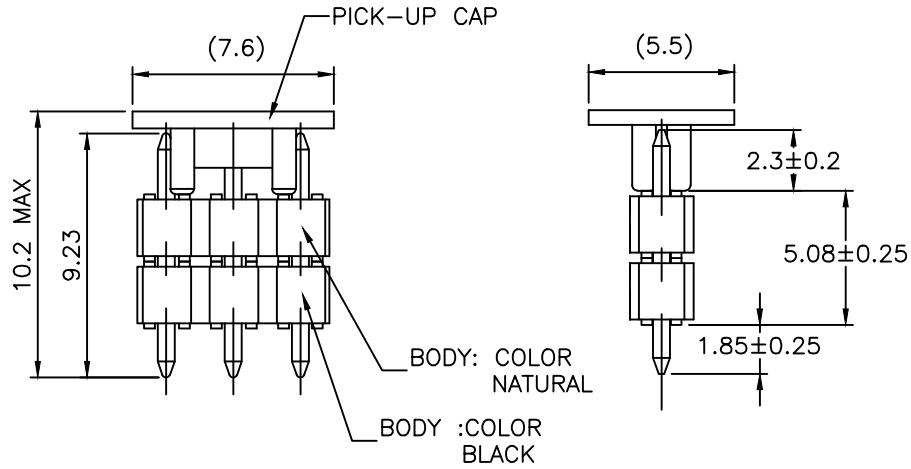
3 = 2µm MATTE TIN
OVER 1.27µm Ni MIN

MEANS RoHS, SEE SHEET 1

TOTAL NB OF POS

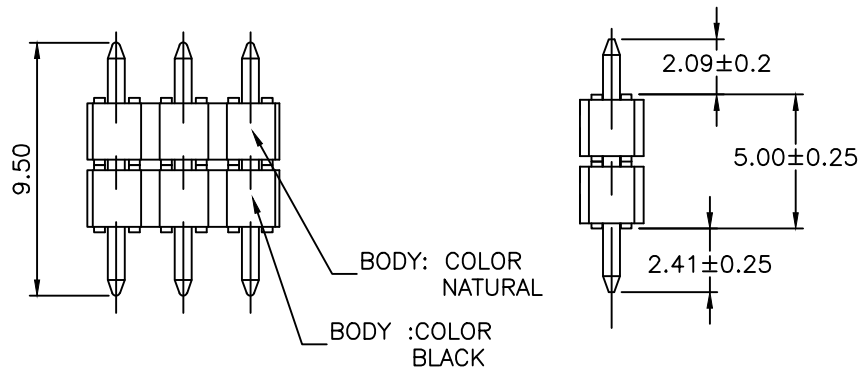
PRODUCT PACKED IN TAPE
& REEL WITH PICK UP CAP

PIN STYLE



SPECIFIC PRODUCT NUMBER

75970-3BB-XXLF



FOR OTHERS SPECIFICATIONS AND DIMENSIONS SEE SHEET 1

SPECIFICS PLATING AREA FOR PART NUMBERS :

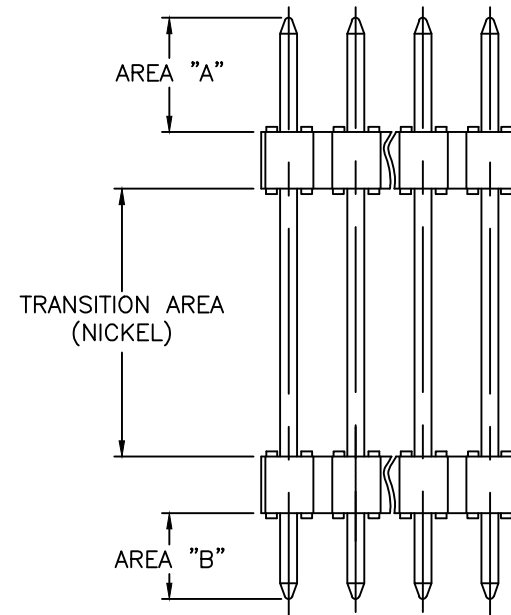
P/N 75970-1AN-02LF

P/N 75970-590R30LF

P/N 75970-8AU-02LF

P/N 75970-8AP-04LF

AREA "A" & "B" : GOLD/GXT PLATING AREA



FCIconnect.com

Copyright FCI

mat'l. code		surface		tolerance		projection		product family	
		ISO 1302		ISO 406 ISO 1101		mm		BSTIK	
lfr		ecn no		dr		date		title	
A		B-16687		LMU		14.01.08		HEADER STR,SR	
B		B-19264		LMU		14.11.03		DOUBLE BODY	
								scale	
								dwg no	
								sheet 3 of	
								75970	
								A3	
								type	
								CUSTOMER	
								Drawing	
sheet index		revision sheet							