



Chipsmall Limited consists of a professional team with an average of over 10 year of expertise in the distribution of electronic components. Based in Hongkong, we have already established firm and mutual-benefit business relationships with customers from,Europe,America and south Asia,supplying obsolete and hard-to-find components to meet their specific needs.

With the principle of “Quality Parts,Customers Priority,Honest Operation,and Considerate Service”,our business mainly focus on the distribution of electronic components. Line cards we deal with include Microchip,ALPS,ROHM,Xilinx,Pulse,ON,Everlight and Freescale. Main products comprise IC,Modules,Potentiometer,IC Socket,Relay,Connector.Our parts cover such applications as commercial,industrial, and automotives areas.

We are looking forward to setting up business relationship with you and hope to provide you with the best service and solution. Let us make a better world for our industry!



Contact us

Tel: +86-755-8981 8866 Fax: +86-755-8427 6832

Email & Skype: info@chipsmall.com Web: www.chipsmall.com

Address: A1208, Overseas Decoration Building, #122 Zhenhua RD., Futian, Shenzhen, China



Threaded Indicator Lights for 3/8" Dia. Mounting Hole

75 SERIES

- OIL TIGHT INDICATOR LIGHTS WITH THREADED HOUSING & HEX NUT
- NEON, LED & INCANDESCENT LIGHTS
- 3/8" DIA. MOUNTING HOLE
- 6" WIRE LEADS OR 3/16" TAB TERMINALS
- 2 TO 250 DESIGN VOLTS • VARIETY OF LENS COLORS

Overview

The 75 Series Indicators feature black nylon threaded housing with a dome lens and two 6" wire leads or 3/16" tab terminals. This series is offered with a wide variety of voltage, colors and bezel options. 75 Series Indicators are designed for a 3/8" mounting hole. A lock washer and hex nut are supplied.

Specifications

Housing: black nylon.

Lens: polycarbonate.

Bezel: nickel-plated brass. A black anodized bezel is available.

Incandescent AC or DC voltage options: 6, 14 and 28 volts.

Neon AC or DC voltage options: 125 and 250 volts.
Note: high brightness green and blue neon lamps supplied in green and blue neon applications.

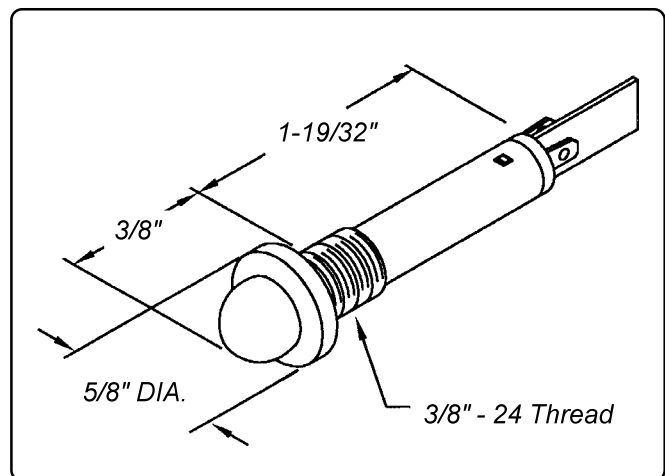
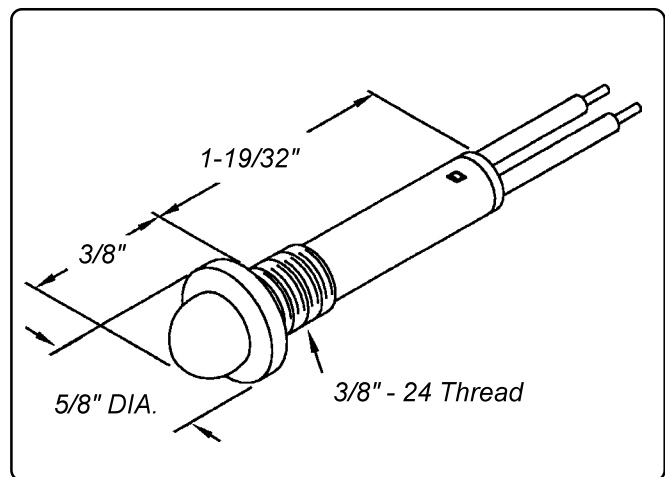
LED DC voltage options: 2, 6, 12, 24 or 125 volts.
Note: 125V LED indicators operate for both AC or DC applications.

Wire leads:

6" leads: #18 AWG, bare copper, PVC insulated, UL/CSA rated 105° C, 600 V, UL Style 1015, stripped 1/2". For LED units, wire leads are color-coded red and black; the red wire lead denotes the anode (+) while a black wire lead identifies the cathode (-). Custom wire lengths, stripping, termination and wire types are available.

Terminals:

3/16" Tabs: brass, (0.187" length x 0.020" thick). For LED units, a tin plated terminal denotes the anode (+).

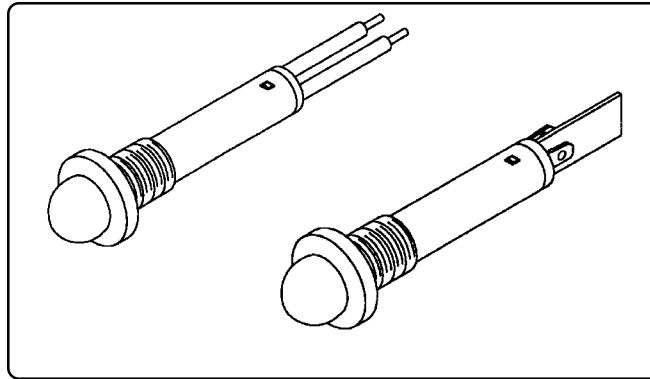


Can't find it here? We have many more standard and custom solutions

For further information, phone Customer Service at 800.522.5546.

Threaded Indicator Lights for 3/8" Dia. Mounting Hole

75 SERIES
6" Wire Leads or
3/16" Tab Terminals
Neon or
Incandescent
6 to 250 Design Volts

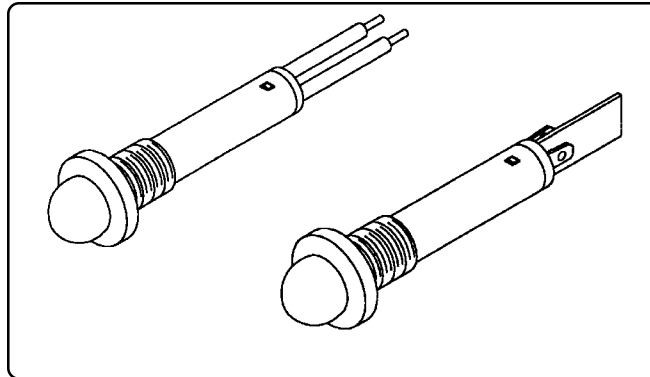


Black Housing
Dome Lens
Variety of
Lens Colors
Hex Nut
Threaded Housing

Part Number 6" Wire Leads	Part Number 3/16" Terminals	Lens Color	Lamp Type	Design Volts	Design Watts or Amps	Life (hrs)
75R-2211	75R-2211T	Red	Neon	125	1/3W	25,000
75HR-2211	75HR-2211T	Red	Neon	250	1/3W	25,000
75RG1-2211	75RG1-2211T	Red	Incandescent	6	.20A	5,000
75RG3-2211	75RG3-2211T	Red	Incandescent	14	.10A	10,000
75RG18-2211	75RG18-2211T	Red	Incandescent	28	.04A	7,000
75R-2212	75R-2212T	Green	Neon	125	1/3W	25,000
75HR-2212	75HR-2212T	Green	Neon	250	1/3W	25,000
75RG1-2212	75RG1-2212T	Green	Incandescent	6	.20A	5,000
75RG3-2212	75RG3-2212T	Green	Incandescent	14	.10A	10,000
75RG18-2212	75RG18-2212T	Green	Incandescent	28	.04A	7,000
75R-2213	75R-2213T	Amber	Neon	125	1/3W	25,000
75HR-2213	75HR-2213T	Amber	Neon	250	1/3W	25,000
75RG1-2213	75RG1-2213T	Amber	Incandescent	6	.20A	5,000
75RG3-2213	75RG3-2213T	Amber	Incandescent	14	.10A	10,000
75RG18-2213	75RG18-2213T	Amber	Incandescent	28	.04A	7,000
75R-2214	75R-2214T	Blue	Neon	125	1/3W	25,000
75HR-2214	75HR-2214T	Blue	Neon	250	1/3W	25,000
75RG1-2214	75RG1-2214T	Blue	Incandescent	6	.20A	5,000
75RG3-2214	75RG3-2214T	Blue	Incandescent	14	.10A	10,000
75RG18-2214	75RG18-2214T	Blue	Incandescent	28	.04A	7,000
75R-2215	75R-2215T	White	Neon	125	1/3W	25,000
75HR-2215	75HR-2215T	White	Neon	250	1/3W	25,000
75RG1-2215	75RG1-2215T	White	Incandescent	6	.20A	5,000
75RG3-2215	75RG3-2215T	White	Incandescent	14	.10A	10,000
75RG18-2215	75RG18-2215T	White	Incandescent	28	.04A	7,000
75R-2217	75R-2217T	Clear	Neon	125	1/3W	25,000
75HR-2217	75HR-2217T	Clear	Neon	250	1/3W	25,000
75RG1-2217	75RG1-2217T	Clear	Incandescent	6	.20A	5,000
75RG3-2217	75RG3-2217T	Clear	Incandescent	14	.10A	10,000
75RG18-2217	75RG18-2217T	Clear	Incandescent	28	.04A	7,000

Threaded Indicator Lights for 3/8" Dia. Mounting Hole

L75 SERIES
LED Indicator Lights
6" Wire Leads or
3/16" Tab Terminals
2 to 125 Design Volts



Black Housing
Dome Lens
Variety of
Lens Colors
Hex Nut

Part Number 6" Wire Leads	Part Number 3/16" Tab Terminals	Lens Color	DC Design Volts * AC Design Volts
L75R-A2-2213	L75R-A2-2213T	Amber	2
L75R-A6-2213	L75R-A6-2213T	Amber	6
L75R-A12-2213	L75R-A12-2213T	Amber	12
L75R-A24-2213	L75R-A24-2213T	Amber	24
L75R-A125-2213	N/A	Amber	125 *
L75R-G2-2212	L75R-G2-2212T	Green	2
L75R-G6-2212	L75R-G6-2212T	Green	6
L75R-G12-2212	L75R-G12-2212T	Green	12
L75R-G24-2212	L75R-G24-2212T	Green	24
L75R-G125-2212	N/A	Green	125 *
L75R-R2-2211	L75R-R2-2211T	Red	2
L75R-R6-2211	L75R-R6-2211T	Red	6
L75R-R12-2211	L75R-R12-2211T	Red	12
L75R-R24-2211	L75R-R24-2211T	Red	24
L75R-R125-2211	N/A	Red	125 *
L75R-Y2-2216	L75R-Y2-2216T	Yellow	2
L75R-Y6-2216	L75R-Y6-2216T	Yellow	6
L75R-Y12-2216	L75R-Y12-2216T	Yellow	12
L75R-Y24-2216	L75R-Y24-2216T	Yellow	24
L75R-Y125-2216	N/A	Yellow	125 *

Polarity Determination - Wire Leads: Red wire lead denotes anode (+); black wire leads denotes cathode (-).
3/16" Tab Terminals: Tinned terminal denotes anode (+); untinned terminal denotes cathode (-).