



Chipsmall Limited consists of a professional team with an average of over 10 year of expertise in the distribution of electronic components. Based in Hongkong, we have already established firm and mutual-benefit business relationships with customers from,Europe,America and south Asia,supplying obsolete and hard-to-find components to meet their specific needs.

With the principle of “Quality Parts,Customers Priority,Honest Operation,and Considerate Service”,our business mainly focus on the distribution of electronic components. Line cards we deal with include Microchip,ALPS,ROHM,Xilinx,Pulse,ON,Everlight and Freescale. Main products comprise IC,Modules,Potentiometer,IC Socket,Relay,Connector.Our parts cover such applications as commercial,industrial, and automotives areas.

We are looking forward to setting up business relationship with you and hope to provide you with the best service and solution. Let us make a better world for our industry!



Contact us

Tel: +86-755-8981 8866 Fax: +86-755-8427 6832

Email & Skype: info@chipsmall.com Web: www.chipsmall.com

Address: A1208, Overseas Decoration Building, #122 Zhenhua RD., Futian, Shenzhen, China

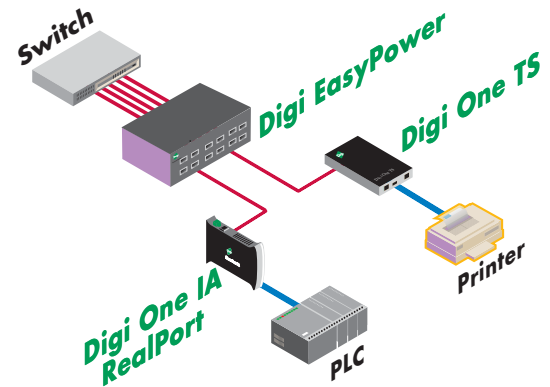


Digi EasyPower™

Accessory



The Digi EasyPower family provides simple, safe and efficient device power over existing LAN data cabling (Ethernet). It is ideal for applications where power outlets are not available at the optimal device location.



Features/Benefits

- > Each port is current limited for short circuit protection with power isolation of 1KV between ports
- > Each port has a replaceable fuse for recovery from power surge or lightning damage
- > Each port auto-detects the power requirement and offers transparent 10/100Mb operation
- > Each port is compatible with IEEE 802.3af
- > Includes a six-port model and a single-port model for powering small concentrations of IEEE 802.3af devices
- > Two-year warranty

Overview

The Digi EasyPower provides a safe, efficient and simple way to power 802.3af devices without the use of an external power supply for each device. Power is supplied over the existing LAN data cabling system, allowing you to add power to the LAN without laying down new cables. In addition, it greatly improves the range of installation locations for Digi's device servers, no longer requiring them to be located near a power outlet.

For safety, Digi EasyPower has its own DC to DC converter that is voltage isolated from the other ports. Each module is separately fused and protected from any unexpected current surge. If a power surge should occur, either through a building's electrical system or a lightning strike, the Digi EasyPower Hub takes the force and helps protect the valuable equipment attached to it.

When used with an uninterruptible power supply, the Digi EasyPower device provides non-stop power for up to six connected devices. This eliminates the need for installing costly uninterruptible power supplies for each LAN device, saving time and extra expense. Continuous operation of powered LAN devices is assured, while costly downtime is avoided.

Digi International, the leader in Connectware, makes device networking easy by developing products and technologies that are cost-effective and easy to use. With over 20 million ports shipped worldwide, Digi has been offering the highest levels of performance, flexibility and quality since 1985.



Connectware™

Features/Specifications

INTERFACES

One or six female RJ-45 data ports

- Shielded jacks for Category 5 UTP (two pair wire) or 100-ohm STP (two pair wire)
- Distance: 100 meters

One or six female RJ-45 data+power on Ethernet ports (Power over Ethernet)

ENVIRONMENTAL

- Operating temperature: 0° C to 40° C (32° F to 105° F)
- Storage temperature: -10° C to 60° C (14° F to 140° F)
- Relative humidity: 10% to 90% non-condensing
- Operating altitude: -1,000 to 10,000 feet

WARRANTY

- Two-year warranty

POWER REQUIREMENTS

AC power input

- Voltage: 100-240V autoranging (50Hz - 60Hz)
- Connector: 3-pin with ground
- Chassis grounding: yes
- Power supply: one standard, optional dual load-sharing

DC port power output

- Power Enabling: IEEE 802.3af
- Power pins: unused pairs, pins 4,5(+), 7,8(-)
- Max. power/port: 20W (42V * 0.35A max.)
- Max power-all ports active: 20*20W = 400W
- Port to port isolation: 1000V RMS
- Overload protection: if current reaches 350mA to 500mA for greater than 100 milliseconds

LED INDICATORS

- Detect (green)
- Fuse blown (yellow)
- Power from chassis (green)
- Power forwarding (green)

DIMENSIONS

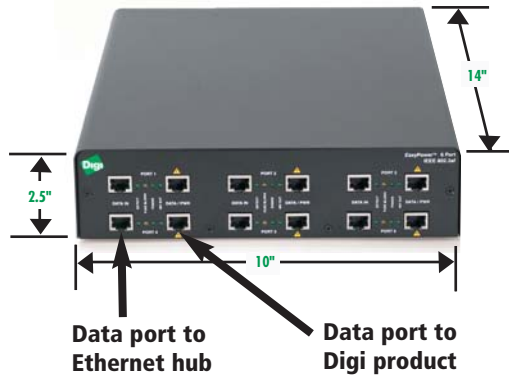
Single Port

- Length: 6.0 in (15.24 cm)
- Width: 3.0 in (7.62 cm)
- Depth: 1.0 in (2.54 cm)
- Weight: 14.6 oz (0.41 kg)

Six Port

- Length: 14.0 in (35.56 cm)
- Width: 10.0 in (25.40 cm)
- Depth: 2.5 in (6.35 cm)
- Weight: 6.0 lbs (2.7 kg)

Six-Port Model



Single-Port Model



MODEL.....PART NUMBERS

Model	North America	International
Six-Port Model		
• Six power & data ports - IEEE 802.3af compliant	76000661	76000715
Single-Port Model		
• Single power & data port - IEEE 802.3af compliant	76000660	76000714

DIGI SERVICE AND SUPPORT

You can purchase with confidence knowing that Digi is here to support you with expert technical support. <http://support.digi.com>

Digi International
11001 Bren Road E.
Minnetonka, MN 55343 USA
PH: 877-912-3444
952-912-3444
FX: 952-912-4952
Email: info@digi.com
www.digi.com

Digi International GmbH
Joseph-von-Fraunhofer Str. 23
D-44227 Dortmund
Germany
PH: +49-231-9747-0
FX: +49-231-9747-111
www.digi.de

Digi International (HK) Limited
Suite 1703-05, 17/F.,
K Wah Centre
191 Java Road
North Point, Hong Kong
PH: +852-2833-1008
FX: +852-2572-9989
www.digi.cn

NetSilicon
411 Waverley Oaks Road #304
Waltham, MA 02452 USA
PH: 800-243-2333,
781-647-1234
FX: 781-893-1338
Email: info@netsilicon.com
www.netsilicon.com



Connectware™