



Chipsmall Limited consists of a professional team with an average of over 10 year of expertise in the distribution of electronic components. Based in Hongkong, we have already established firm and mutual-benefit business relationships with customers from,Europe,America and south Asia,supplying obsolete and hard-to-find components to meet their specific needs.

With the principle of “Quality Parts,Customers Priority,Honest Operation,and Considerate Service”,our business mainly focus on the distribution of electronic components. Line cards we deal with include Microchip,ALPS,ROHM,Xilinx,Pulse,ON,Everlight and Freescale. Main products comprise IC,Modules,Potentiometer,IC Socket,Relay,Connector.Our parts cover such applications as commercial,industrial, and automotives areas.

We are looking forward to setting up business relationship with you and hope to provide you with the best service and solution. Let us make a better world for our industry!



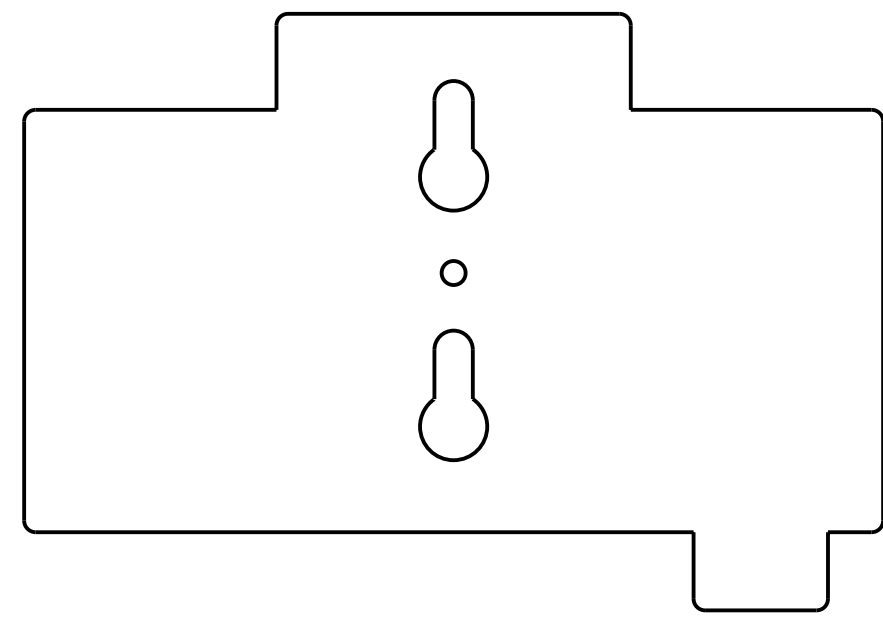
Contact us

Tel: +86-755-8981 8866 Fax: +86-755-8427 6832

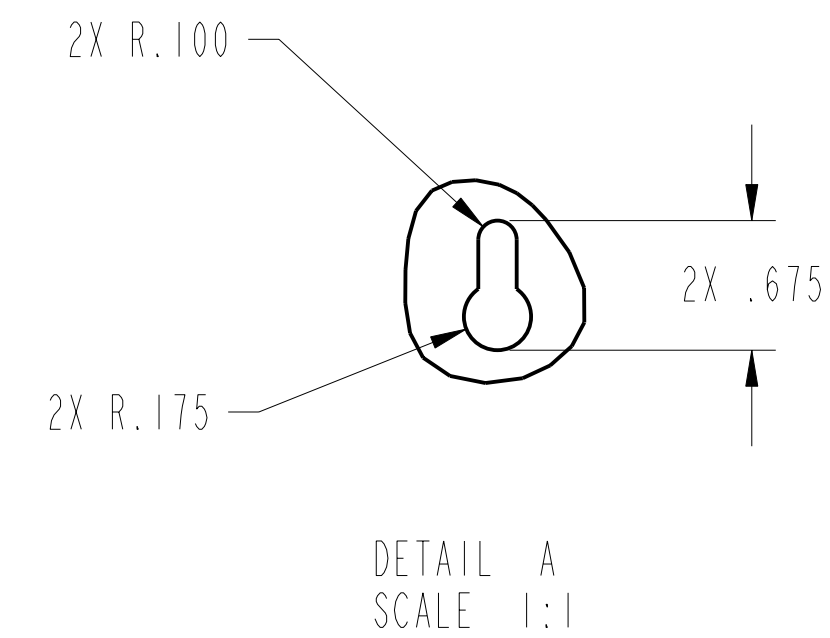
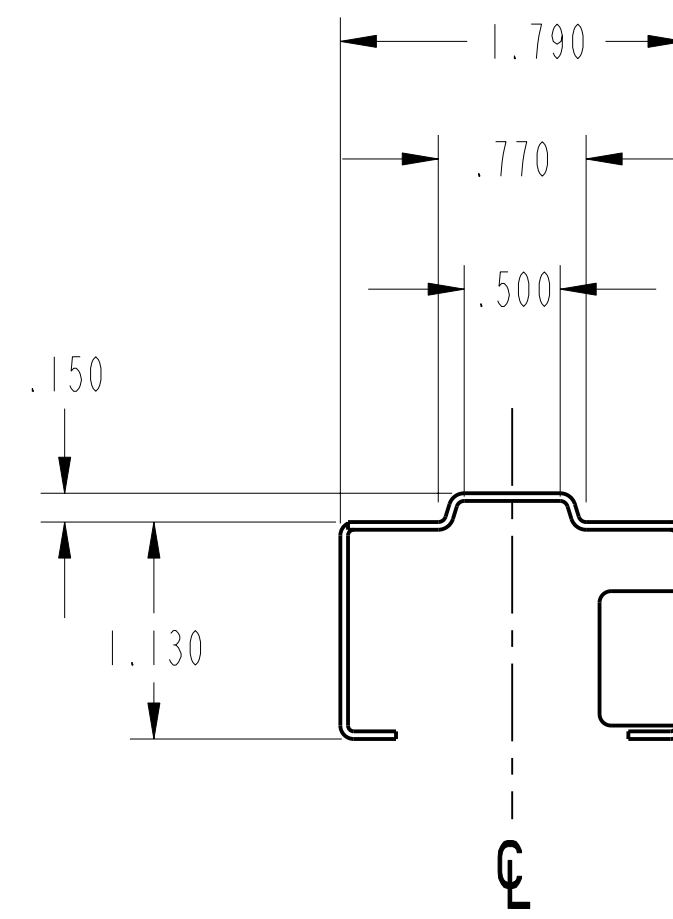
Email & Skype: info@chipsmall.com Web: www.chipsmall.com

Address: A1208, Overseas Decoration Building, #122 Zhenhua RD., Futian, Shenzhen, China

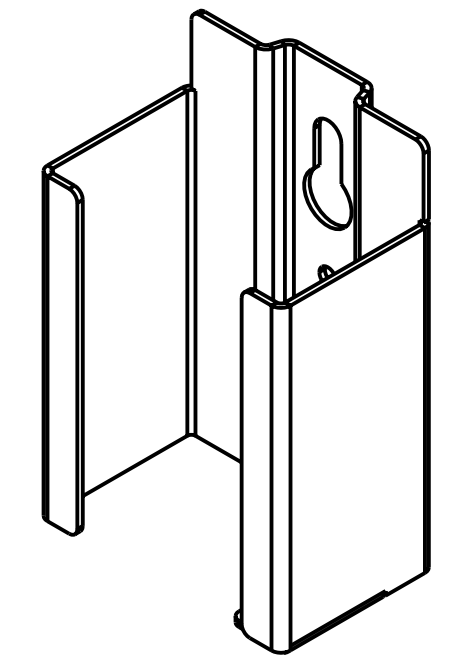




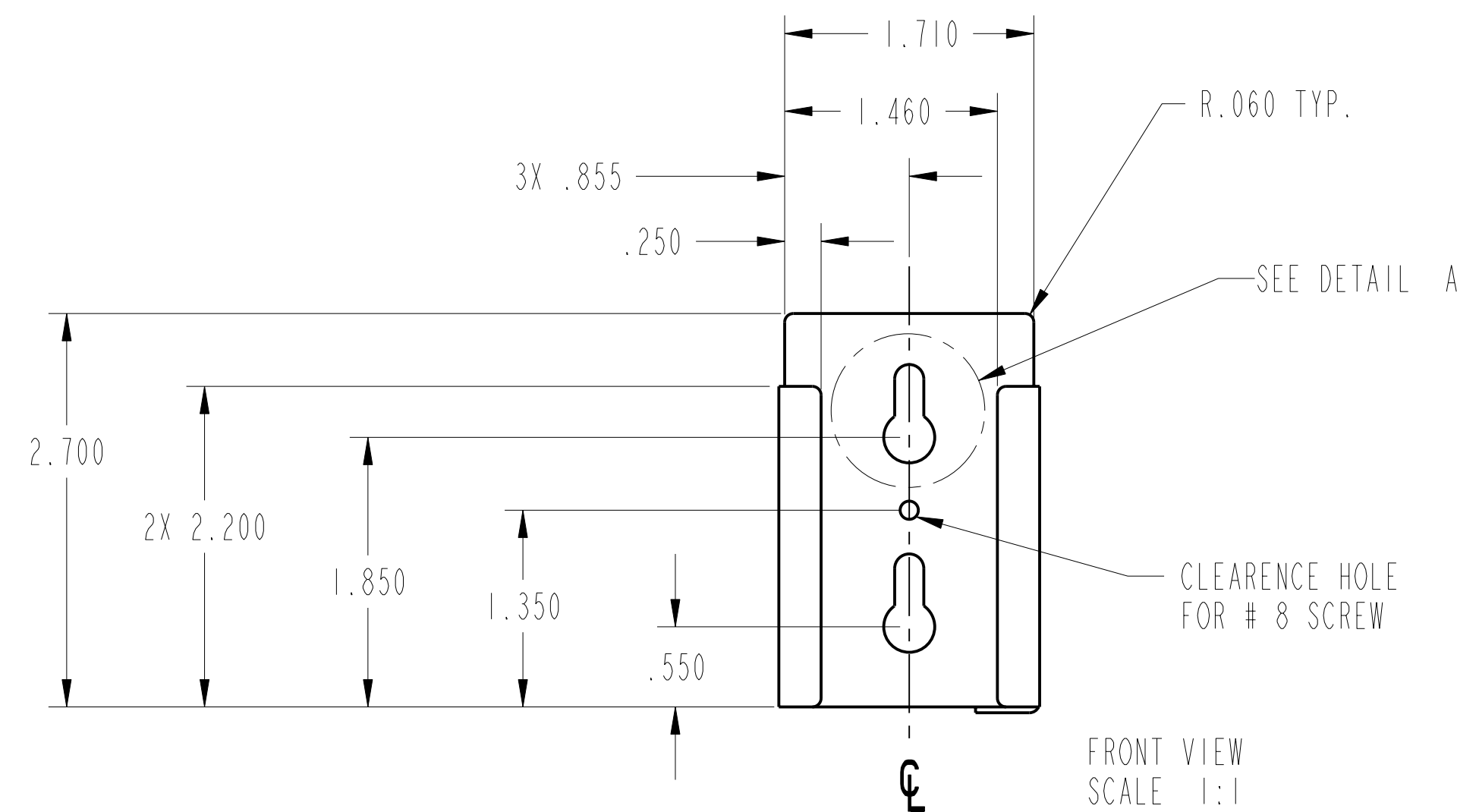
FLAT PATTERN
SCALE 1:1



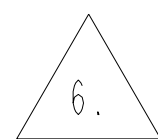
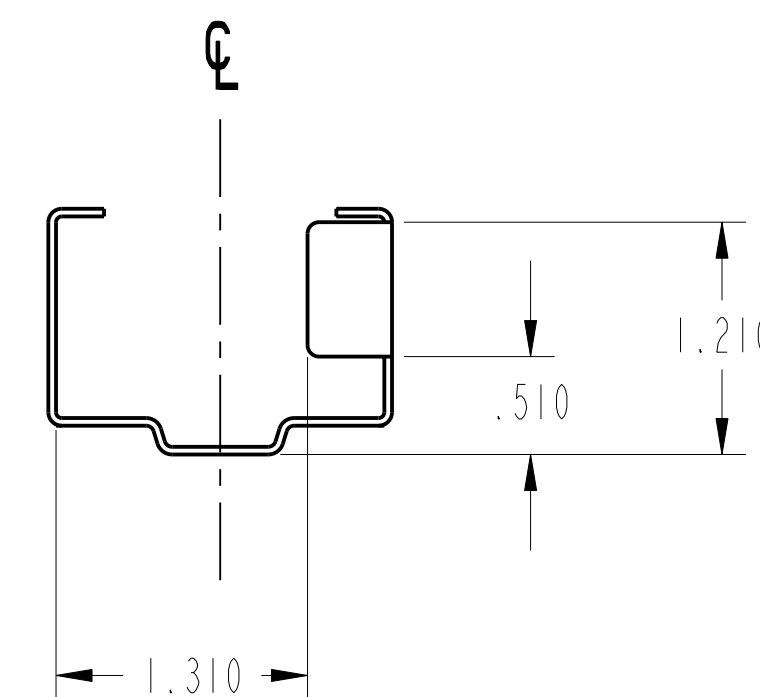
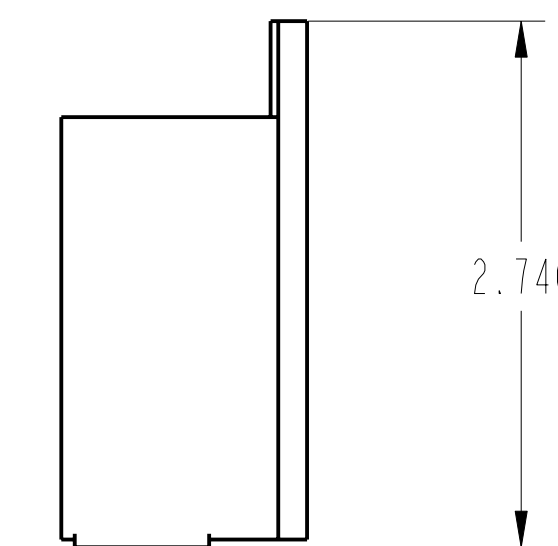
DETAIL A
SCALE 1:1



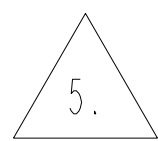
ISOMETRIC VIEW
SCALE 1:1



FRONT VIEW
SCALE 1:1



6. PAINT ALL EXTERIOR SURFACES UNLESS OTHERWISE SPECIFIED WITH THE FOLLOWING POWDER COAT:
COLOR: BLACK H.B. FULLER (#1F2723)
DIGI INTERNATIONAL P/N - 67000037
CHEMISTRY: URETHANE
PARTICLE SIZE: 45-60% THROUGH 325 MESH
RECOMMENDED FILM THICKNESS: 2.0 - 3.0 MILS
FINISHED TEXTURE SHALL BE LIGHT
POWDER COAT CHIP WILL BE SUPPLIED UPON REQUEST



5. ADD THE FOLLOWING INFORMATION SHOWN BELOW BY STAMPING AN INDENTING IMPRESSION OR USING PERMANENT INK (CONTRASTING IN COLOR) VISIBLE ONLY FROM THE SIDE INDICATED WITH DIGI INT'L PART NUMBER AND REVISION LEVEL, DATE CODE, AND VENDOR LOGO. PART MARKING SHALL NOT AFFECT THE COSMETIC SURFACES OF THE PART.

EXAMPLE: 60000989-03 REV.B
WW-YY VENDOR LOGO

4. ALL SURFACES TO BE BURR FREE. REMOVE ALL SHARP EDGES.
3. ALL DIMENSIONS TO BE FORMED.
2. THE BEND RADIUS NOT TO EXCEED .06 MAX.
1. DIMENSIONS PER ANSI Y14.5M-1994.

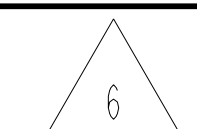
NOTES:

UNLESS OTHERWISE SPECIFIED ALL DIMENSIONS ARE IN INCHES...
TOLERANCES ARE AS FOLLOWS:
.XX +/- .02
.XXX +/- .010 ANGLES +/- 2°



THIS DOCUMENT CONTAINS INFORMATION PROPRIETARY AND CONFIDENTIAL TO DIGI INTERNATIONAL INC. BY ACCEPTING DELIVERY, RECIPIENT AGREES TO RETAIN IT IN CONFIDENCE AND NOT DISCLOSE IT TO OTHERS NOR USE IT FOR ANY PURPOSE OTHER THAN THAT FOR WHICH IT WAS DELIVERED, AND TO PROMPTLY RETURN IT UPON REQUEST.

MATERIAL
.040 AL 5052-H32
FINISH



B	505327	ADD MOUNTING HOLE	TJM			
A	102733	NEW RELEASE	TJM	BDM	BDM	12-19-02
REV	ECO	DESCRIPTION OF CHANGE	BY	CKD	APPR	DATE
APPROVALS		DATE				
DESIGNED	TJM	12-17-02				
DRAWN	TJM	12-17-02				
CHECKED	BDM	12-19-02				
ENGINEER	TJM	12-17-02	TITLE BKT, WALL MOUNT DIGI ONE SP			
DO NOT SCALE DRAWING		SIZE	CODE	PART NO.		REV
		D		60000989-03		B
		SCALE	NTS	PRO/ENGINEER		SHEET 1 OF 1