



Chipsmall Limited consists of a professional team with an average of over 10 year of expertise in the distribution of electronic components. Based in Hongkong, we have already established firm and mutual-benefit business relationships with customers from,Europe,America and south Asia,supplying obsolete and hard-to-find components to meet their specific needs.

With the principle of “Quality Parts,Customers Priority,Honest Operation,and Considerate Service”,our business mainly focus on the distribution of electronic components. Line cards we deal with include Microchip,ALPS,ROHM,Xilinx,Pulse,ON,Everlight and Freescale. Main products comprise IC,Modules,Potentiometer,IC Socket,Relay,Connector.Our parts cover such applications as commercial,industrial, and automotives areas.

We are looking forward to setting up business relationship with you and hope to provide you with the best service and solution. Let us make a better world for our industry!



Contact us

Tel: +86-755-8981 8866 Fax: +86-755-8427 6832

Email & Skype: info@chipsmall.com Web: www.chipsmall.com

Address: A1208, Overseas Decoration Building, #122 Zhenhua RD., Futian, Shenzhen, China

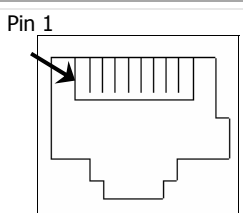


Digi CM, RJ-45 to DB-25 Console Adapter

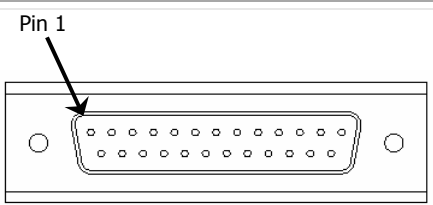
For use with Digi CM 8, 16, 32, 48 – All Models

Digi Cable Adapters allow you to connect your serial devices using commercially available CAT 5 cable of any length. Simply plug standard CAT 5 cable into your Digi Product, connect a Cable Adapter to the other end and plug the adapter into your device.

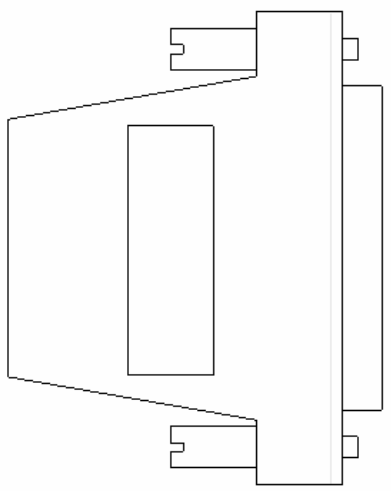
From RJ-45	Signal	Direction	Signal	To DB-25
1	CTS	←	RTS	4
2	DSR	↔	DTR	20
5	DCD			
3	RxD	←	TxD	2
4	Ground	↔	SG	7
6	TxD	→	RxD	3
8	RTS	→	CTS	5
7	DTR	↔	DSR	6
			DCD	8



Female RJ-45
8-pin



Male DB-25



Cable Adapter not to scale

* Arrows indicate which direction the signal is flowing

Notes:

- All RJ45 cable adapters are 8-pin.

Digi Part Number 76000672 Digi CM DB25M Console Adapter (8-pack)