



Chipsmall Limited consists of a professional team with an average of over 10 year of expertise in the distribution of electronic components. Based in Hongkong, we have already established firm and mutual-benefit business relationships with customers from,Europe,America and south Asia,supplying obsolete and hard-to-find components to meet their specific needs.

With the principle of "Quality Parts,Customers Priority,Honest Operation,and Considerate Service",our business mainly focus on the distribution of electronic components. Line cards we deal with include Microchip,ALPS,ROHM,Xilinx,Pulse,ON,Everlight and Freescale. Main products comprise IC,Modules,Potentiometer,IC Socket,Relay,Connector.Our parts cover such applications as commercial,industrial, and automotives areas.

We are looking forward to setting up business relationship with you and hope to provide you with the best service and solution. Let us make a better world for our industry!



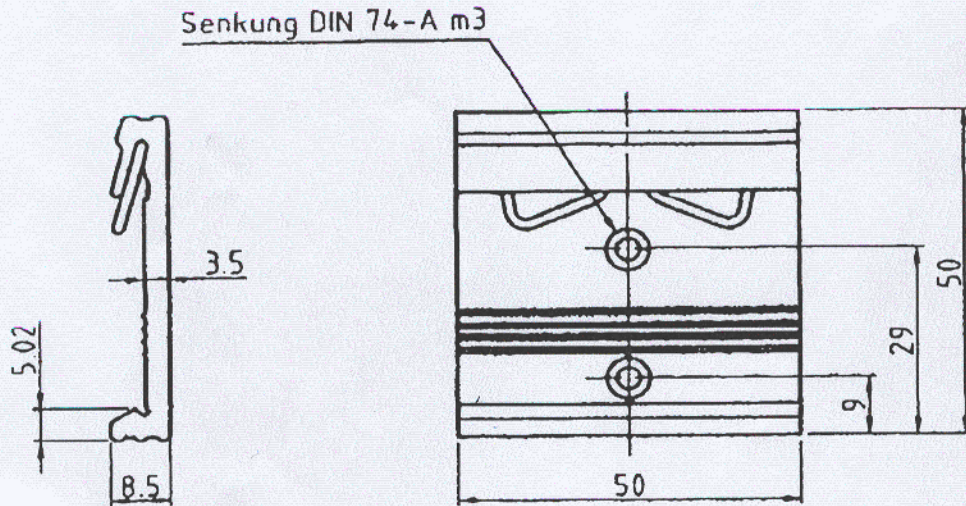
Contact us

Tel: +86-755-8981 8866 Fax: +86-755-8427 6832

Email & Skype: info@chipsmall.com Web: www.chipsmall.com

Address: A1208, Overseas Decoration Building, #122 Zhenhua RD., Futian, Shenzhen, China





DICE 91 électronique

Sarl au capital de 325.000 F
1, rue du Ruisseau Blanc
Z.A. de Lunézy F - 91620 NOZAY
Tél, 01.64.49.62.00 - Fax 01.64.49.07
Siret 397 424 490 00019 APE 332 B

Schutzvermerk nach DIN34 © (Fischer Elektronik 1999)		Freimaßtoleranz DIN 2768m		Oberfläche SI		Kunde: 40310 Dice	
Maßstab = 1:1						DICE990402/00	
		Datum	Name	Bezeichnung/Titel			
		Bearb. 01.07.1999	Schröder	CLIP RAIL DIN			
		Gepr.		KL 35/50 SI-SL			
		Norm					
		Werkstoff/Material S.3206		Zeichnungs-Nummer A1000B00500107S			Blatt 1
2	Änderung	Datum	Name	Ers für			Ers durch.
							Blätter