



Chipsmall Limited consists of a professional team with an average of over 10 year of expertise in the distribution of electronic components. Based in Hongkong, we have already established firm and mutual-benefit business relationships with customers from,Europe,America and south Asia,supplying obsolete and hard-to-find components to meet their specific needs.

With the principle of "Quality Parts,Customers Priority,Honest Operation,and Considerate Service",our business mainly focus on the distribution of electronic components. Line cards we deal with include Microchip,ALPS,ROHM,Xilinx,Pulse,ON,Everlight and Freescale. Main products comprise IC,Modules,Potentiometer,IC Socket,Relay,Connector.Our parts cover such applications as commercial,industrial, and automotives areas.

We are looking forward to setting up business relationship with you and hope to provide you with the best service and solution. Let us make a better world for our industry!



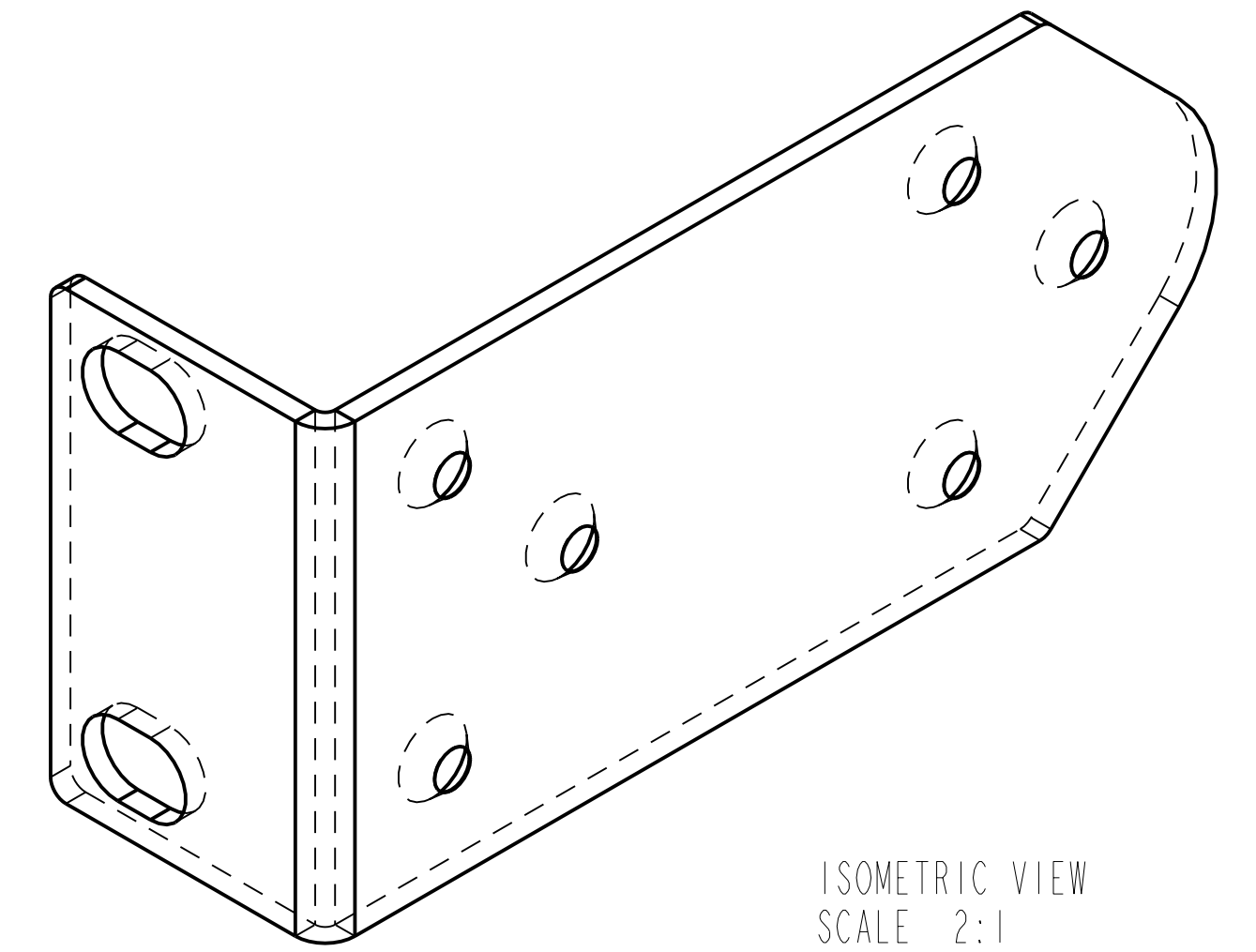
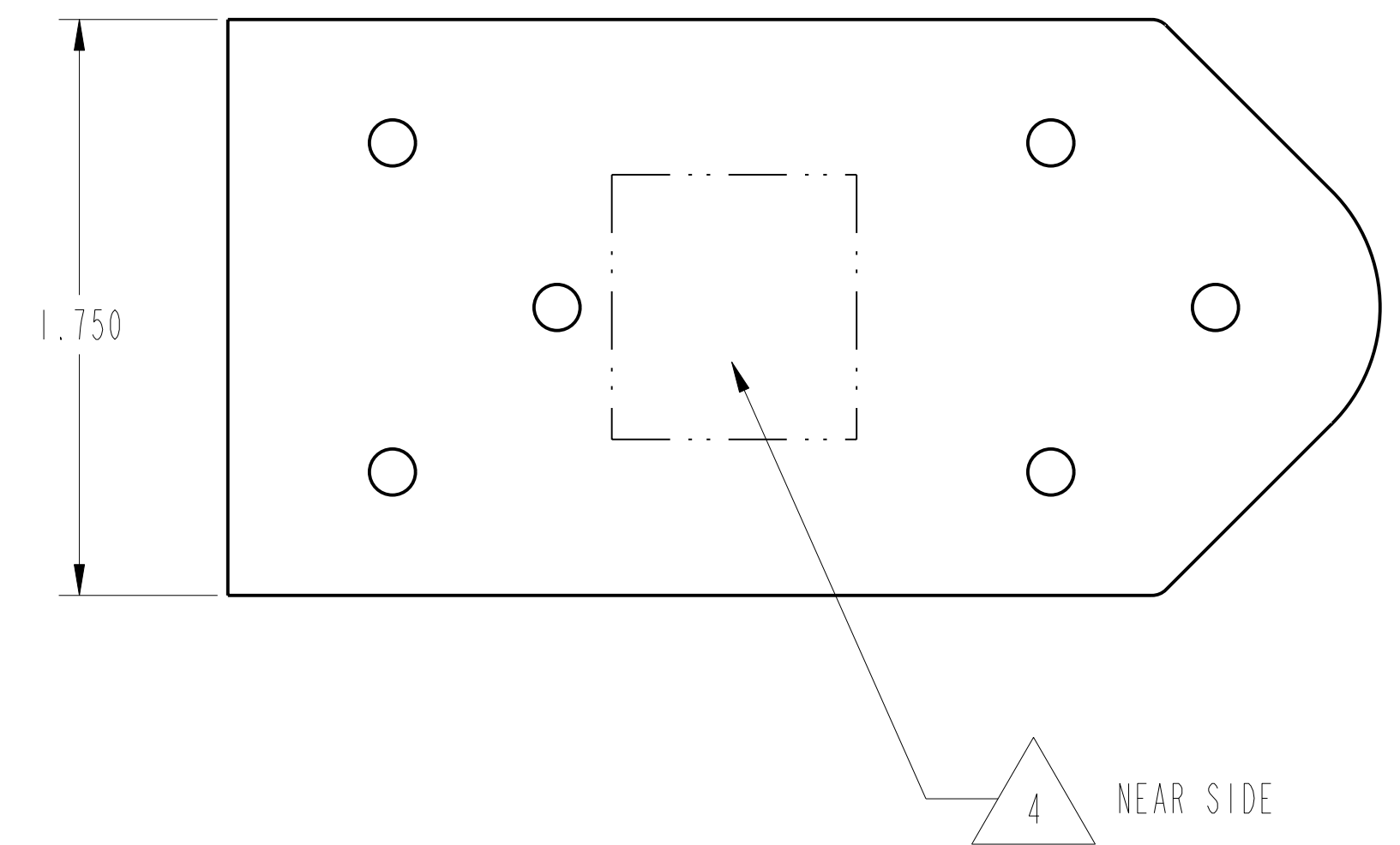
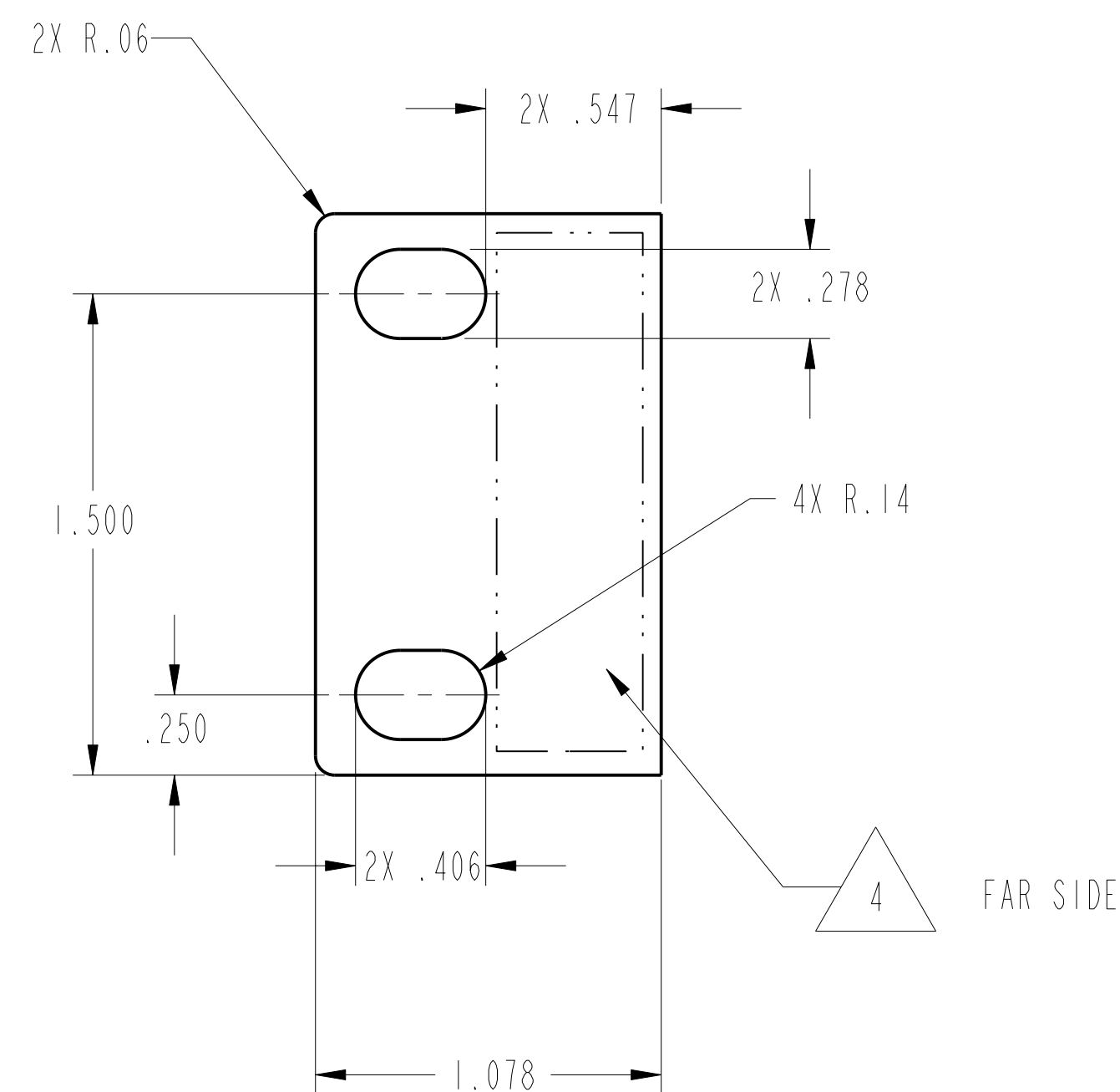
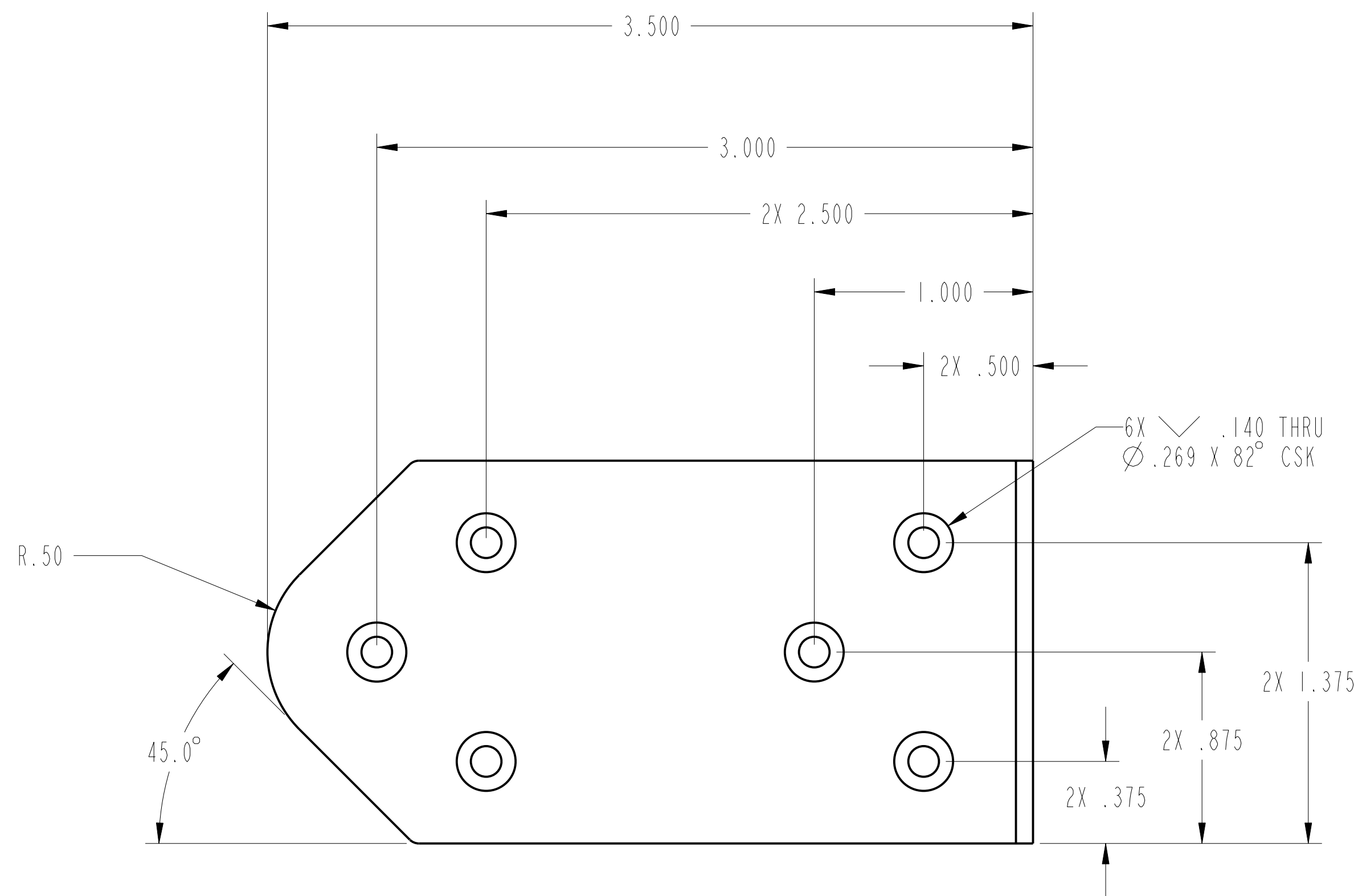
Contact us

Tel: +86-755-8981 8866 Fax: +86-755-8427 6832

Email & Skype: info@chipsmall.com Web: www.chipsmall.com

Address: A1208, Overseas Decoration Building, #122 Zhenhua RD., Futian, Shenzhen, China





4. ADD THE FOLLOWING INFORMATION SHOWN BELOW BY STAMPING AN INDENTING IMPRESSION OR USING PERMANENT INK (CONTRASTING IN COLOR) VISIBLE ONLY FROM THE SIDE INDICATED WITH DIGI INT'L PART NUMBER AND REVISION LEVEL, DATE CODE, AND VENDOR LOGO. PART MARKING SHALL NOT AFFECT THE COSMETIC SURFACES OF THE PART. MARKING SHALL APPEAR ON ONE OF THE TWO LOCATIONS SHOWN ON THIS PRINT.

EXAMPLE:

60000920-05 REV.A
WW-YY VENDOR LOGO

3. PAINT ALL SURFACES UNLESS OTHERWISE SPECIFIED WITH THE FOLLOWING POWDER COAT:
 COLOR: BLACK H.B. FULLER (#1F2723) DIGI INTERNATIONAL P/N - 67000037
 CHEMISTRY: URETHANE
 PARTICLE SIZE: 45-60% THROUGH 325 MESH
 RECOMMENDED FILM THICKNESS: 2.0 - 3.0 MILS
 FINISHED TEXTURE SHALL BE LIGHT
 POWDER COAT CHIP WILL BE SUPPLIED UPON REQUEST

3. ALL SURFACES TO BE BURR FREE. REMOVE ALL SHARP EDGES.

2. UNLESS OTHERWISE SPECIFIED, THE BEND RADIUS NOT TO EXCEED .06 MAX.

1. DIMENSIONS PER ANSI Y14.5M-1994.

NOTES:

THIS DOCUMENT CONTAINS INFORMATION PROPRIETARY AND CONFIDENTIAL TO DIGI INTERNATIONAL INC. BY ACCEPTING DELIVERY, RECIPIENT AGREES TO RETAIN IT IN CONFIDENCE AND NOT DISCLOSE IT TO OTHERS NOR USE IT FOR ANY PURPOSE OTHER THAN THAT FOR WHICH IT WAS DELIVERED, AND TO PROMPTLY RETURN IT UPON REQUEST.

UNLESS OTHERWISE SPECIFIED ALL DIMENSIONS ARE IN INCHES... TOLERANCES ARE AS FOLLOWS: .XX +/- .02 .XXX +/- .010 ANGLES +/- 2°	A 505891 NEW RELEASE		TJM	TJM	TJM	7-22-05		
	REV	ECO	DESCRIPTION OF CHANGE		BY	CKD	APPR	DATE
	APPROVALS		DATE					
	DESIGNED	TJM	7-22-05					
THIRD ANGLE PROJECTION		DRAWN		TJM		7-22-05		
MATERIAL		CHECKED		TJM		7-22-05		
FINISH		ENGINEER		TJM		7-22-05		
.078 CRS		DO NOT SCALE DRAWING		SCALE NTS		PRO/ENGINEER		
TITLE		BKT, PORTSERVER 111/16 RACK 19" RECESSED		SIZE CODE		PART NO.		
D		60000920-05		A		REV		
SHEET 1 OF 1		SHEET 1 OF 1		SHEET 1 OF 1		SHEET 1 OF 1		