



Chipsmall Limited consists of a professional team with an average of over 10 year of expertise in the distribution of electronic components. Based in Hongkong, we have already established firm and mutual-benefit business relationships with customers from,Europe,America and south Asia,supplying obsolete and hard-to-find components to meet their specific needs.

With the principle of "Quality Parts,Customers Priority,Honest Operation,and Considerate Service",our business mainly focus on the distribution of electronic components. Line cards we deal with include Microchip,ALPS,ROHM,Xilinx,Pulse,ON,Everlight and Freescale. Main products comprise IC,Modules,Potentiometer,IC Socket,Relay,Connector.Our parts cover such applications as commercial,industrial, and automotives areas.

We are looking forward to setting up business relationship with you and hope to provide you with the best service and solution. Let us make a better world for our industry!



Contact us

Tel: +86-755-8981 8866 Fax: +86-755-8427 6832

Email & Skype: info@chipsmall.com Web: www.chipsmall.com

Address: A1208, Overseas Decoration Building, #122 Zhenhua RD., Futian, Shenzhen, China





<http://www.bobbintron.com>

BOBBINTRON ELECTRICAL CORPORATION

SPECIFICATION FOR PRELIMINARY

APPROVAL SIGNATURE
DATE :

CUSTOMER : Digi International **PART NO :** 24000112 **REV.** _____

DESCRIPTION : AC to DC 18Watt Desktop SMPS

PLEASE SIGN AND RETURN ONE COPY.

**ALL PRODUCTION UNITS WILL BE BUILT ACCORDING
TO THIS SPECIFICATIONS.**

MODEL NO: AP0181-18E

AGENCY APPROVAL: _____

PRESENTED BY: Ben Yang **NO.** _____

CHECKED BY: Ben Yang

APPROVED BY: Johnson Lin

DATE : 05/30/2012

19F, NO.102, HSIN TAI WU ROAD SEC.1, HSIH-JR CITY, TAIPEI HSIEN, TAIWAN

TEL# (886)2-2696-0007

FAX# (886)2-2696-8786

WEBSITE: www.bobbintron.com

EMAIL: sales@bobbintron.com

**BOBBINTRON ELECTRICAL CORPORATION
SWITCHING POWER SUPPLY
SPECIFICATION**

MODEL : AP0181-18E**ISSUED : 05/30/2012****DWG NO :****REV. A****1. Input****1.1 AC input voltage range : 90VAC ~ 254VAC (universal)****1.2 AC input voltage rating : 100VAC~240VAC****1.3 AC input Frequency : 47Hz to 63Hz****1.4 AC input current : 0.50 A (rms) max. for 115VAC
0.30 A (rms) max. for 230VAC****1.5 MAX. In-rush current : 25A MAX. @ 115VAC
50 A max. @ 230Vac
at 25°C ambient cold start.****1.6 Leakage current : 3.5 mA max.****2. Output characteristics:****2.1 Output voltage : 18V****2.2 Max. load current : 1A****2.3 Min load current : 0A****2.4 Tolerance : ±5 %****2.5 Output Ripple & Noise : Output Voltage 1%***** Ripple & Noise test conditions :****(1) Measured by-pass capacitors 0.1uF / 10uF at output connector terminal
And oscilloscope set at 20 Mhz. (tested by oscilloscope)**

3. General characteristics :

3.1 Max. output power : 18 watts continuous.

3.2 Efficiency : 78% (Minimum) at max load & 220VAC.

3.3 Turn no delay : 3 second max. at 100VAC

3.4 Hold up time : 10ms Min. at max load 120VAC

3.5 Transient response : output return within $\pm 10\%$ tolerance of nominal voltage within 1m sec.
for 50% load change, 120Hz 50% duty cycle.

3.6 Short circuit protection : protection against short circuit for output
Note : The output can be shorted permanently without damage.

3.6.1 (1) Any protect condition shall cause no damage and no component fail.
(2) Automatic recovery when removal of protect condition.

3.7 Temperature coefficient : 0.2% per °C maximum over entire operating temperature range for Va output .

4. Environmental :

4.1 Operating temperature : -40°C to 75 °C

4.2 Storage temperature : -40°C to 85°C

4.3 Operating relative humidity : 10% to 85%

4.4 Storage relative humidity : 5% to 95%

5. Safety requirement :(Meet) (1) UL 1950
(2) CE

6. EMI requirement : CISPR EN55022 class B rules.

7. Hi-pot test :

7.1 Primary to secondary : 4242VDC for 1 sec. 10mA

8. Insulation resistance

8.1 Input to output : > 7Mohm. 500VDC

9. Reliability

9.1 MTBF : 50K hours min.
@ full load at 25°C ambient temperature.

9.2 Burn in : 4hrs. 40 ±5°C, 115VAC or 230VAC
ON/OFF cycling 70% ~ full load nominal line .

9.3 Vibration : Frequency range : 5-200Hz.

Vibration amplitude 0.5g ±10% over entire frequency range.

A complete sweep of the frequencies from 5-200Hz at 0.4 decades per mins. duration, if insufficient resonant point are established to provide for 30 minutes input per axis, then a constant acceleration continuous sweep at one octave per minute (0.3 decade / min.) shall be applied for the duration.

9.4 Altitude : will operate properly at any altitude between 0 to 10000ft.

10. Mechanical :

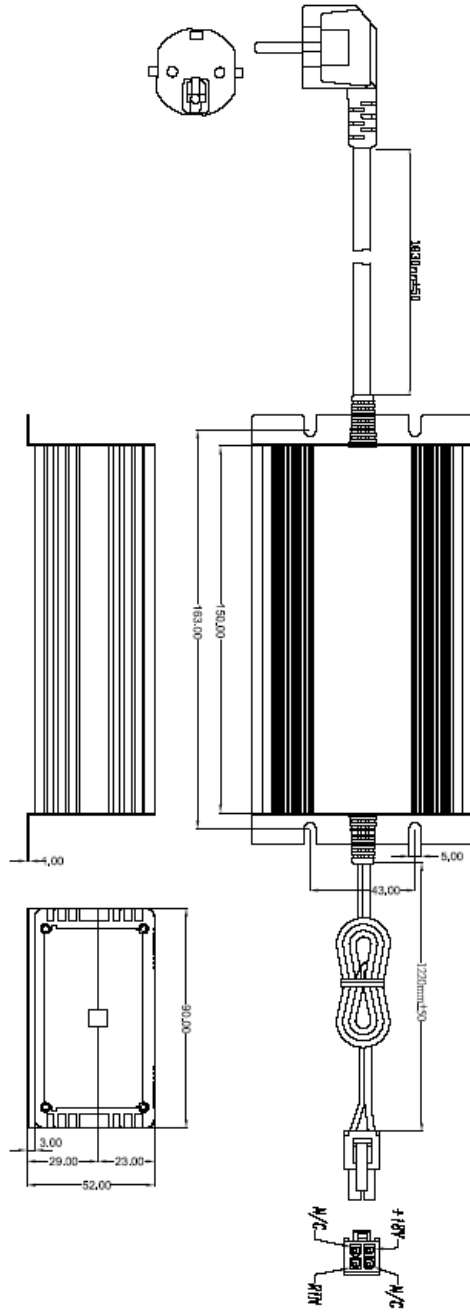
10.1 Dimensions : 150mmlong
90mmwidth



<http://www.bobbintron.com>

BOBBINTRON ELECTRICAL CORPORATION

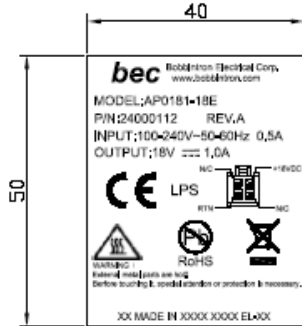
Blank area for drawing or notes.



REV	DESCRIPTION	BY	APP.	DATE

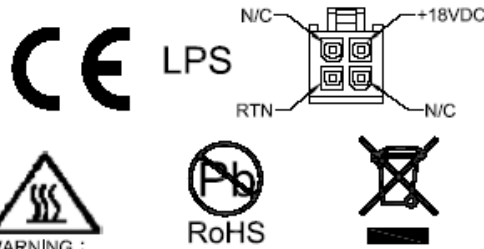
bec Bobbintron Electrical Corp. www.bobbintron.com	
TITLE: OUTLINE	
MODEL: AP0181-18E	
SIGNATURE	DATE
DWG. LILLIAN	5/22/12
CHK.	DWG. NO. 101053006
APP.	PART NO. A

MARK	REV.	DESCRIPTION	DATE	ISSUED	APPROV.

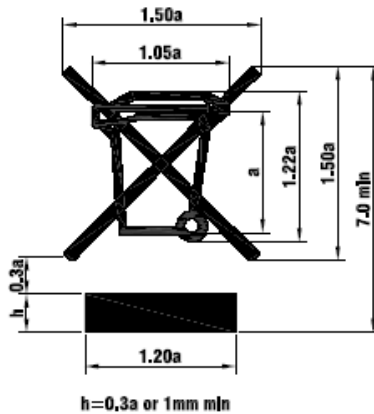


bec Bobbintron Electrical Corp.
www.bobbintron.com

MODEL:AP0181-18E
P/N:24000112 REV.A
INPUT:100-240V~50-60Hz 0.5A
OUTPUT:18V = 1.0A



WARNING :
External metal parts are hot!!
Before touching it, special attention or protection is necessary.



XX MADE IN XXXX XXXX EL-23
 FACTORY CODE DATE CODE
 XX XX 廠牌UL代碼
 Year Month
 MADE IN TAIWAN OR
 CHINA CTRL BY OA

NOTES:

- 1.TOLERANCE: ±0.1mm
- 2.MATERIAL:8B35V T=0.254mm +Adhesive 3M467MP
- 3.COLOR:White TEXT ON BLACK BASE
- 4.PRINTING SHOULD BE FREE OF UNCLEAR PRINTING, PEELING AND SCRACHES
- 5.GLUE:TO MEET WITH UL APPROVAL

CODE	FACTORY
	Bobbintron
HZ	GAN SOUTH (HJ Zhou)

bec Bobbintron Electrical Corp. www.bobbintron.com		DESCRIPTION		APPROVED
		NAME PLATE		
DIM.	TOL.	MATERIAL	MODEL NAME	E / E
~8	0.1		AP0181-18E	
8~25	0.12	QTY PCS/SET	DWG NO.	CHECKED
25~80	0.15	SCALE	101053007	
80~250	0.2	UNIT	REV.	DESIGNED Lillian
250~	0.3	SHEET OF	A	5/30/12