



Chipsmall Limited consists of a professional team with an average of over 10 year of expertise in the distribution of electronic components. Based in Hongkong, we have already established firm and mutual-benefit business relationships with customers from,Europe,America and south Asia,supplying obsolete and hard-to-find components to meet their specific needs.

With the principle of “Quality Parts,Customers Priority,Honest Operation,and Considerate Service”,our business mainly focus on the distribution of electronic components. Line cards we deal with include Microchip,ALPS,ROHM,Xilinx,Pulse,ON,Everlight and Freescale. Main products comprise IC,Modules,Potentiometer,IC Socket,Relay,Connector.Our parts cover such applications as commercial,industrial, and automotives areas.

We are looking forward to setting up business relationship with you and hope to provide you with the best service and solution. Let us make a better world for our industry!



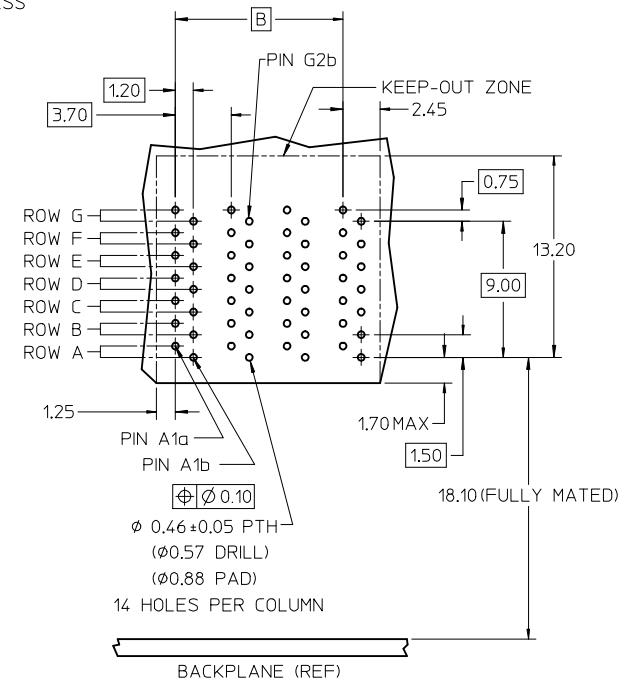
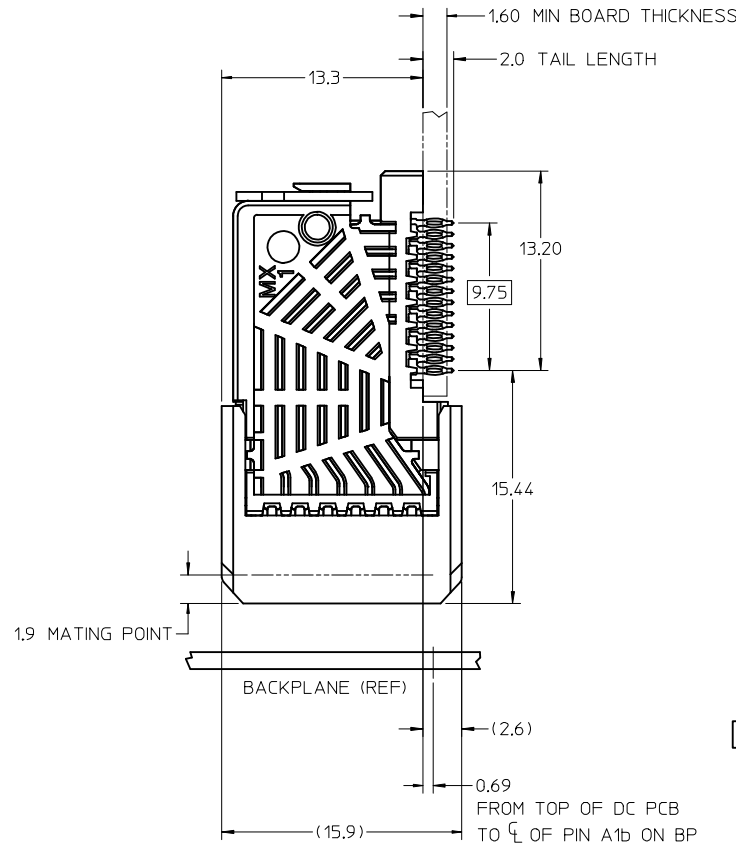
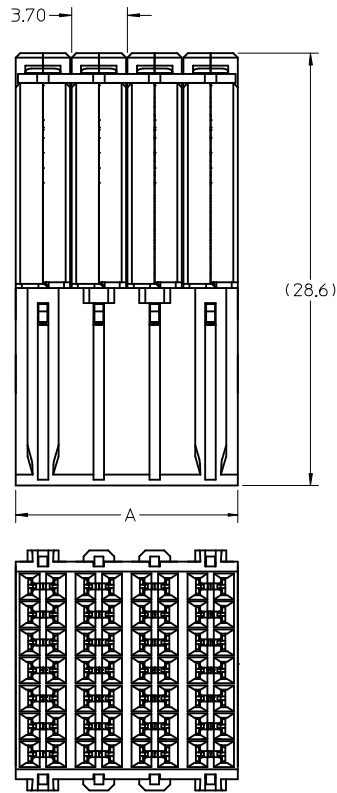
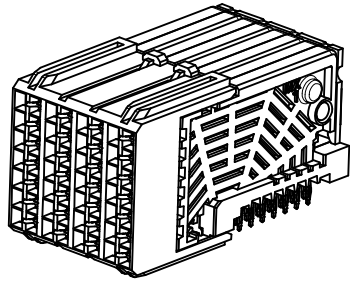
Contact us

Tel: +86-755-8981 8866 Fax: +86-755-8427 6832

Email & Skype: info@chipsmall.com Web: www.chipsmall.com

Address: A1208, Overseas Decoration Building, #122 Zhenhua RD., Futian, Shenzhen, China





DAUGHTERCARD HOLE PATTERN (CONNECTOR SIDE)

NOTES:

1. MATERIALS: HOUSING - LIQUID CRYSTAL POLYMER (LCP)
GLASS-FILLED, UL 94V-0
TERMINALS - HIGH PERFORMANCE COPPER ALLOY
2. FINISH: SELECTIVE GOLD (Au) IN CONTACT AREA,
SELECTIVE MATTE TIN (Sn) IN TAIL AREA,
NICKEL (Ni) UNDERPLATE OVERALL.
3. REFER TO MOLEX PRODUCT SPEC PS-75710-999 FOR PERFORMANCE SPECIFICATIONS.
4. PRODUCT IS PACKAGED PER PK-70873-607.
5. THIS PART CONFORMS TO CLASS B REQUIREMENTS OF COSMETIC SPEC PS-45499-002.
6. MAPS (MOLEX ADVANCED PLATING SYSTEM).

ADD 50 GOLD EC NO: UCP2014-3112 DRWIN:WOLFE 2014/01/28 CHKD:SVANG 2014/01/28 APPR:SMILLER 2014/02/11	DESCRIPTION I-TRAC DAUGHTERCARD 7 ROW UNGUIDED SIGNAL MODULE	QUALITY SYMBOLS 		GENERAL TOLERANCES (UNLESS SPECIFIED)		DIMENSION STYLE MM ONLY		SCALE 4:1	DESIGN UNITS METRIC	THIRD ANGLE PROJECTION	
		4 PLACES ± --- ± --- 3 PLACES ± --- ± --- 2 PLACES ± 0.13 ± --- 1 PLACE ± 0.25 ± --- 0 PLACE ± ±	mm INCH ± --- ± --- ± 0.13 ± --- ± 0.25 ± --- ± ±	DRAWN BY MCARRANZA	DATE 3/20/06	TITLE I-TRAC DAUGHTERCARD 7 ROW UNGUIDED SIGNAL MODULE			MATERIAL NO. SEE CHART	DOCUMENT NO. SD-76020-001	SHEET NO. 1 OF 2
ANGLULAR ±1/2°				DRAFT WHERE APPLICABLE MUST REMAIN WITHIN DIMENSIONS				THIS DRAWING CONTAINS INFORMATION THAT IS PROPRIETARY TO MOLEX. INCORPORATED AND SHOULD NOT BE USED WITHOUT WRITTEN PERMISSION			

MATERIAL NUMBER	# OF COLUMNS	DIM. "A" MAX.	DIM. "B"
76020-*0*4	4	14.80	11.10
76020-*0*6	6	22.20	18.50
76020-*0*0	10	37.00	33.30

76020-*0**

MODULE STYLE AND TAIL PLATING TYPE _____ # OF COLUMNS/PLATING
 0 = UNGUIDED, MATTE TIN (FORMERLY TIN/LEAD) 04 = 4 COL, 30 GOLD
 1 = UNGUIDED, MATTE TIN 06 = 6 COL, 30 GOLD
 10 = 10 COL, 30 GOLD
 44 = 4 COL, 10 GOLD (MAPS)
 46 = 6 COL, 10 GOLD (MAPS)
 40 = 10 COL, 10 GOLD (MAPS)
 54 = 4 COL, 50 GOLD
 56 = 6 COL, 50 GOLD
 50 = 10 COL, 50 GOLD

POLARIZATION KEY ORIENTATION _____
 0 = NO KEY

SEE SHEET 1 EC NO: UCP2014-3112 DRWN:WOLFE 2014/01/28 CHKD:SYANG 2014/01/28 APPR:SMILLER 2014/02/11	QUALITY SYMBOLS	GENERAL TOLERANCES (UNLESS SPECIFIED)	DIMENSION STYLE MM ONLY	SCALE 1:1	DESIGN UNITS METRIC	THIRD ANGLE PROJECTION
	▽=0	mm INCH	DRAWN BY DATE MCARRANZA 3/20/06	TITLE I-TRAC DAUGHTERCARD 7 ROW UNGUIDED SIGNAL MODULE		
	▽=0	4 PLACES ± .005 ± .005	CHECKED BY DATE JLAURX 3/21/06	molex		
	▽=0	3 PLACES ± .005 ± .005	APPROVED BY DATE JLAURX 3/21/06			
	2 PLACES ± 0.13 ± .005	ANGULAR ±1/2°	MATERIAL NO.	DOCUMENT NO.	SHEET NO.	
	1 PLACE ± 0.25 ± .005	DRAFT WHERE APPLICABLE MUST REMAIN WITHIN DIMENSIONS	SEE CHART	SD-76020-001	2 OF 2	
	0 PLACE ± ±		THIS DRAWING CONTAINS INFORMATION THAT IS PROPRIETARY TO MOLEX INCORPORATED AND SHOULD NOT BE USED WITHOUT WRITTEN PERMISSION			