



Chipsmall Limited consists of a professional team with an average of over 10 year of expertise in the distribution of electronic components. Based in Hongkong, we have already established firm and mutual-benefit business relationships with customers from,Europe,America and south Asia,supplying obsolete and hard-to-find components to meet their specific needs.

With the principle of “Quality Parts,Customers Priority,Honest Operation,and Considerate Service”,our business mainly focus on the distribution of electronic components. Line cards we deal with include Microchip,ALPS,ROHM,Xilinx,Pulse,ON,Everlight and Freescale. Main products comprise IC,Modules,Potentiometer,IC Socket,Relay,Connector.Our parts cover such applications as commercial,industrial, and automotives areas.

We are looking forward to setting up business relationship with you and hope to provide you with the best service and solution. Let us make a better world for our industry!



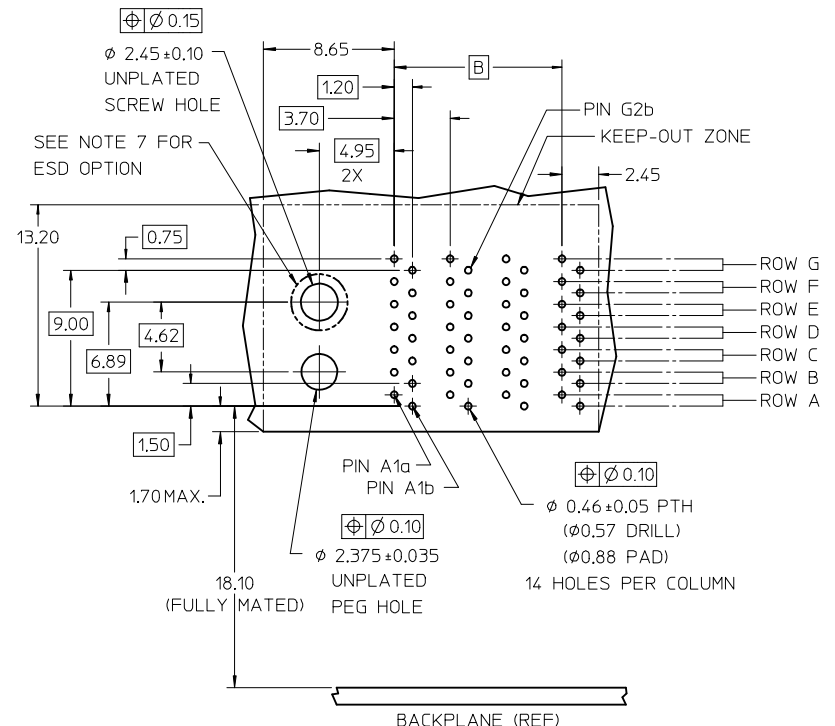
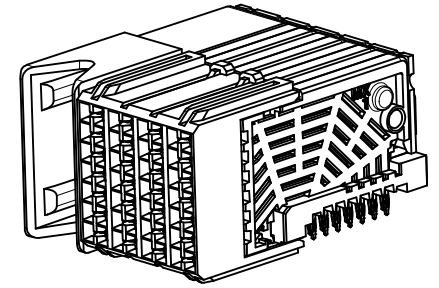
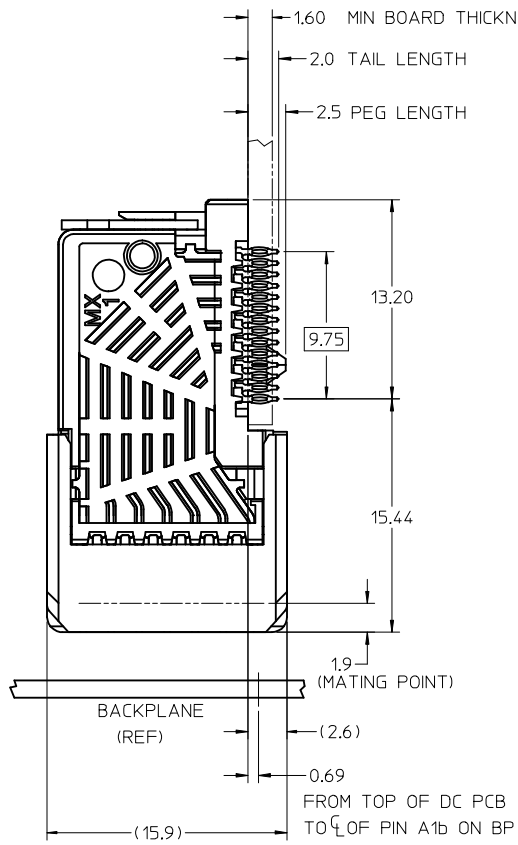
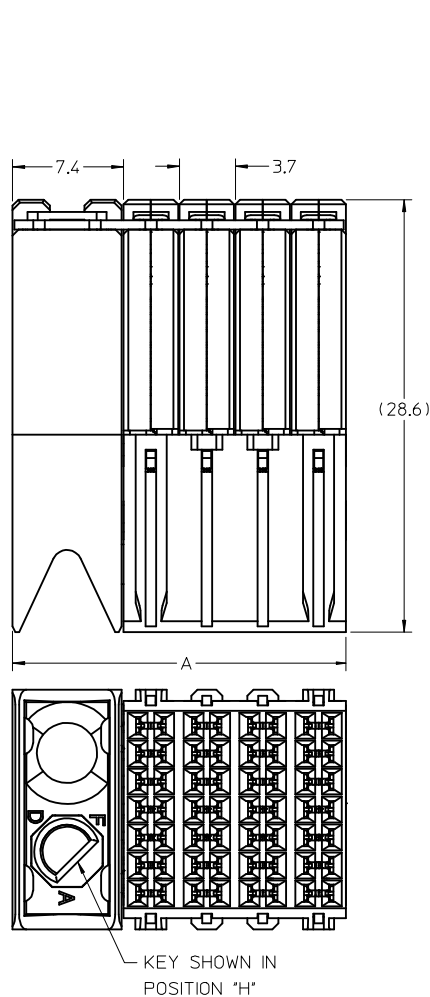
## Contact us

Tel: +86-755-8981 8866 Fax: +86-755-8427 6832

Email & Skype: info@chipsmall.com Web: www.chipsmall.com

Address: A1208, Overseas Decoration Building, #122 Zhenhua RD., Futian, Shenzhen, China





DAUGHTERCARD HOLE PATTERN  
(CONNECTOR SIDE)

NOTES:

1. MATERIALS: HOUSING - LIQUID CRYSTAL POLYMER (LCP) GLASS-FILLED, UL 94V-0  
TERMINALS - HIGH PERFORMANCE COPPER ALLOY
2. FINISH: SELECTIVE GOLD (Au) IN CONTACT AREA,  
SELECTIVE MATTE TIN (Sn) IN TAIL AREA,  
NICKEL (Ni) UNDERPLATE OVERALL.
3. REFER TO MOLEX PRODUCT SPECIFICATION PS-75710-999 FOR PERFORMANCE SPECS.
4. PRODUCT IS PACKAGED PER PK-70873-607.
5. THIS PART CONFORMS TO CLASS B REQUIREMENTS OF COSMETIC SPEC PS-45499-002.
6. GUIDED PARTS TO BE SHIPPED WITH 2-32 TYPE AB  
SELF-TAPPING SCREW P/N 73726-0005.
7. FOR GROUNDED GUIDE MODULES USE DIA 2.45+/-0.10 (PTH), DIA 2.58 (DRILL),  
AND DIA 4.50 (PAD).
8. MAPS (MOLEX ADVANCED PLATING SYSTEM).

ADD 50 GOLD EC NO: UCP2014-3112 DRWIN:WOLFE 2014/01/28 CHKD:SYANG 2014/01/28 APPR:SMILLER 2014/02/11 REV:	DESCRIPTION ∇=0 ∇=0 ∇=0	QUALITY SYMBOLS	GENERAL TOLERANCES (UNLESS SPECIFIED)		DIMENSION STYLE	SCALE	DESIGN UNITS	THIRD ANGLE PROJECTION		
					MM ONLY	4:1	METRIC			
			mm	INCH	DRAWN BY	DATE	TITLE			
					MCARRANZA	3/20/06	I-TRAC DAUGHTERCARD 7 ROW GUIDE LEFT SIGNAL MODULE			
		4 PLACES	± ---	± ---	CHECKED BY	DATE	<b>molex</b> DOCUMENT NO. SD-76020-002 SHEET NO. 1 OF 2			
		3 PLACES	± ---	± ---	BPI SZCZOR	2007/03/07				
		2 PLACES	± 0.13	± ---	APPROVED BY	DATE	THIS DRAWING CONTAINS INFORMATION THAT IS PROPRIETARY TO MOLEX. INCORPORATED AND SHOULD NOT BE USED WITHOUT WRITTEN PERMISSION			
		1 PLACE	± 0.25	± ---	JLAURX	2007/03/07				
		0 PLACE	±	±	MATERIAL NO.					
		ANGULAR ±1/2°		SEE CHART						
		DRAFT WHERE APPLICABLE MUST REMAIN WITHIN DIMENSIONS		SIZE C						

MATERIAL NUMBER	# OF COLUMNS	DIM. "A" MAX.	DIM. "B"
76020-***4	4	22.20	11.10
76020-***6	6	29.60	18.50
76020-***0	10	44.40	33.30

76020-\*\*\*\*

MODULE STYLE AND TAIL PLATING TYPE \_\_\_\_\_ # OF COLUMNS/PLATING

2 = GUIDE LEFT, MATTE TIN (FORMERLY TIN/LEAD) 04 = 4 COL, 30 GOLD

3 = GUIDE LEFT, MATTE TIN 06 = 6 COL, 30 GOLD

10 = 10 COL, 30 GOLD

POLARIZATION KEY ORIENTATION \_\_\_\_\_ 44 = 4 COL, 10 GOLD (MAPS)

0 = NO KEY 46 = 6 COL, 10 GOLD (MAPS)

1 = A 40 = 10 COL, 10 GOLD (MAPS)

2 = B 54 = 4 COL, W/ESD CLIP, 30 GOLD

3 = C 56 = 6 COL, W/ESD CLIP, 30 GOLD

4 = D 50 = 10 COL, W/ESD CLIP, 30 GOLD

5 = E 74 = 4 COL, W/ESD CLIP, 10 GOLD (MAPS)

6 = F 76 = 6 COL, W/ESD CLIP, 10 GOLD (MAPS)

7 = G 70 = 10 COL, W/ESD CLIP, 10 GOLD (MAPS)

8 = H 84 = 4 COL, 50 GOLD

86 = 6 COL, 50 GOLD

80 = 10 COL, 50 GOLD

94 = 4 COL, W/ESD CLIP, 50 GOLD

96 = 6 COL, W/ESD CLIP, 50 GOLD

90 = 10 COL, W/ESD CLIP, 50 GOLD

SEE SHEET 1 EC NO: UCP2014-3112 DRWINWOLFE 2014/01/28 CHKD:SYANG 2014/01/28 APPR:SMILLER 2014/02/11	QUALITY SYMBOLS	GENERAL TOLERANCES (UNLESS SPECIFIED)	DIMENSION STYLE	SCALE	DESIGN UNITS	THIRD ANGLE PROJECTION
	▽=0	mm INCH	MM ONLY	1:1	METRIC	
	▽=0	4 PLACES ± --- ± ---	DRAWN BY DATE	I-TRAC DAUGHTERCARD 7 ROW GUIDE LEFT SIGNAL MODULE <b>molex</b>		
	▽=0	3 PLACES ± --- ± ---	MCARRANZA 3/20/06			
	2 PLACES ± 0.13 ± ---	CHECKED BY DATE	SD-76020-002 SHEET NO. 2 OF 2			
	1 PLACE ± 0.25 ± ---	BPISZCZOR 2007/03/07				
	0 PLACE ± ±	APPROVED BY DATE	THIS DRAWING CONTAINS INFORMATION THAT IS PROPRIETARY TO MOLEX. INCORPORATED AND SHOULD NOT BE USED WITHOUT WRITTEN PERMISSION			
	ANGULAR ±1/2°	JLAURX 2007/03/07				
	DRAFT WHERE APPLICABLE MUST REMAIN WITHIN DIMENSIONS	MATERIAL NO.	SEE CHART			