



Chipsmall Limited consists of a professional team with an average of over 10 year of expertise in the distribution of electronic components. Based in Hongkong, we have already established firm and mutual-benefit business relationships with customers from,Europe,America and south Asia,supplying obsolete and hard-to-find components to meet their specific needs.

With the principle of “Quality Parts,Customers Priority,Honest Operation,and Considerate Service”,our business mainly focus on the distribution of electronic components. Line cards we deal with include Microchip,ALPS,ROHM,Xilinx,Pulse,ON,Everlight and Freescale. Main products comprise IC,Modules,Potentiometer,IC Socket,Relay,Connector.Our parts cover such applications as commercial,industrial, and automotives areas.

We are looking forward to setting up business relationship with you and hope to provide you with the best service and solution. Let us make a better world for our industry!



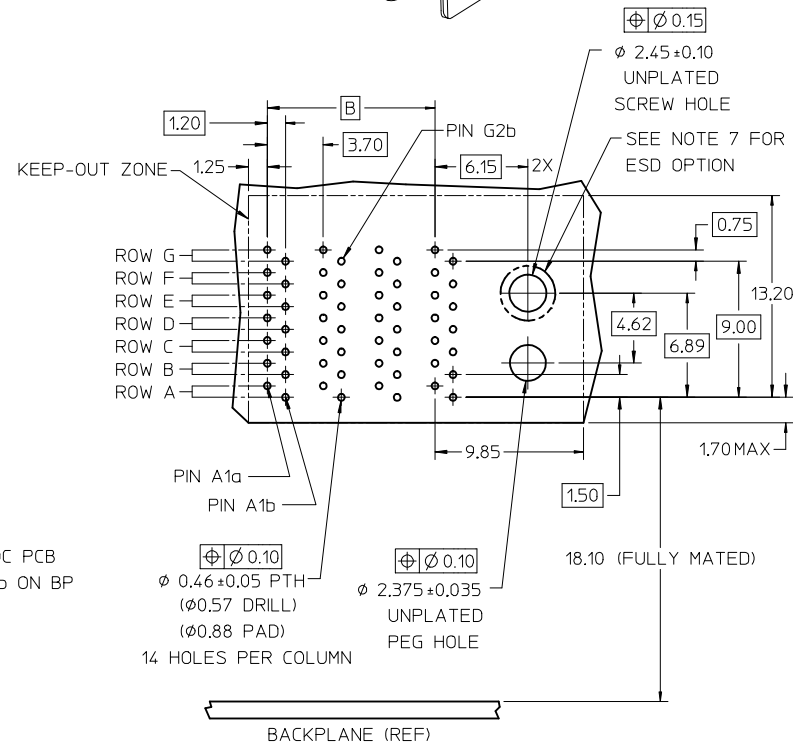
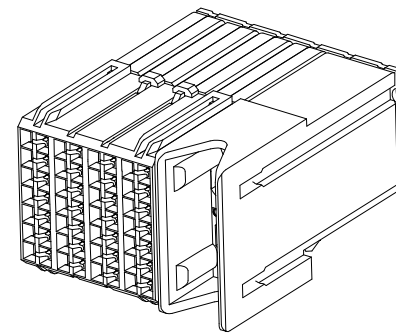
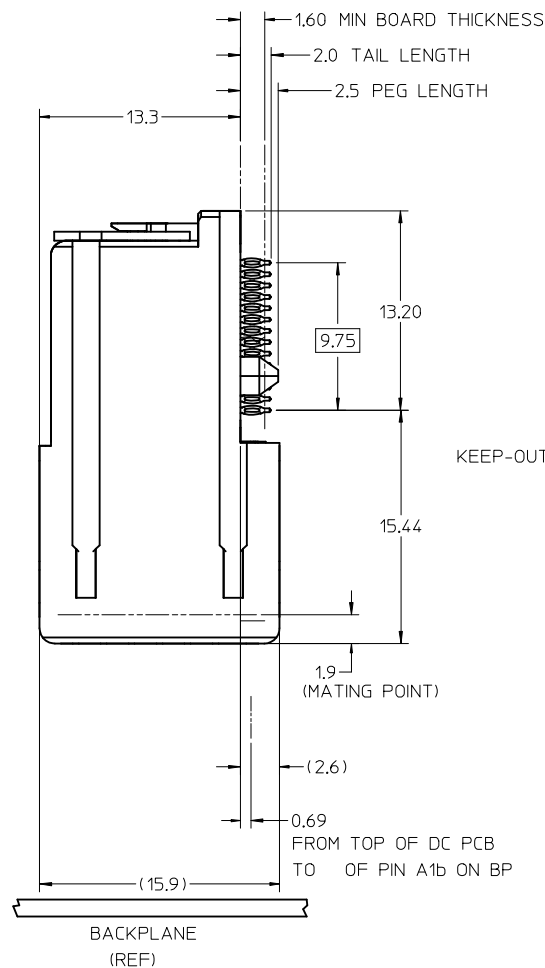
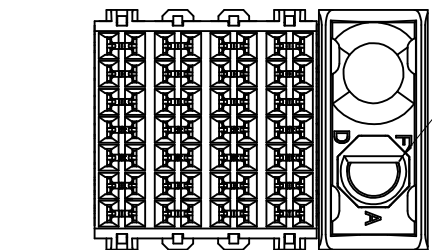
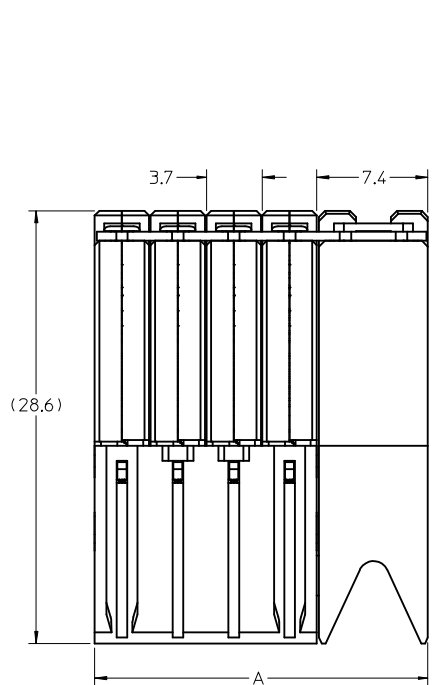
Contact us

Tel: +86-755-8981 8866 Fax: +86-755-8427 6832

Email & Skype: info@chipsmall.com Web: www.chipsmall.com

Address: A1208, Overseas Decoration Building, #122 Zhenhua RD., Futian, Shenzhen, China





KEY SHOWN IN POSITION 'E'

DAUGHTERCARD HOLE PATTERN (CONNECTOR SIDE)

NOTES:

- MATERIALS: HOUSING - LIQUID CRYSTAL POLYMER (LCP)GLASS-FILLED, UL 94V-0
TERMINALS - HIGH PERFORMANCE COPPER ALLOY
- FINISH: SELECTIVE GOLD (Au) IN CONTACT AREA,
SELECTIVE MATTE TIN (Sn) IN TAIL AREA,
NICKEL (Ni) UNDERPLATE OVERALL.
- REFER TO MOLEX PRODUCT SPECIFICATION PS-75710-999 FOR PERFORMANCE SPECS.
- PRODUCT IS PACKAGED PER PK-70873-607.
- THIS PART CONFORMS TO CLASS B REQUIREMENTS OF COSMETIC SPEC PS-45499-002.
- GUIDED PARTS TO BE SHIPPED WITH 2-32 TYPE AB
SELF-TAPPING SCREW P/N 73726-0005.
- FOR GROUNDED GUIDE MODULES USE DIA 2.45+/-0.10 (PTH), DIA 2.58 (DRILL),
AND DIA 4.50 (PAD).
- MAPS (MOLEX ADVANCED PLATING SYSTEM).

REV	DESCRIPTION	QUALITY SYMBOLS
1	LEAD FREE CON./MAPS	▽=0
2	EC NO: UCP2013-4120	▽=0
3	DRWN:BBARKER 2012/11/12	▽=0
4	CHKD:HWOLFE 2013/03/19	
5	APPR:SMILLER 2013/08/05	

GENERAL TOLERANCES (UNLESS SPECIFIED)	
mm	INCH
4 PLACES ± .005	± .0004
3 PLACES ± .008	± .0003
2 PLACES ± .013	± .0005
1 PLACE ± .025	± .0010
0 PLACE ±	±

ANGULAR ±1/2°

DRAFT WHERE APPLICABLE MUST REMAIN WITHIN DIMENSIONS

DIMENSION STYLE	
MM ONLY	
DRAWN BY	DATE
MCARRANZA	3/20/06
CHECKED BY	DATE
JLAURX	3/21/06
APPROVED BY	DATE
JLAURX	3/21/06

SCALE	DESIGN UNITS	THIRD ANGLE PROJECTION
4:1	METRIC	☉
I-TRAC DAUGHTERCARD 7 ROW GUIDE RIGHT SIGNAL MODULE		
molex		
MATERIAL NO.	DOCUMENT NO.	SHEET NO.
SEE CHART	SD-76020-004	1 OF 2
THIS DRAWING CONTAINS INFORMATION THAT IS PROPRIETARY TO MOLEX INCORPORATED AND SHOULD NOT BE USED WITHOUT WRITTEN PERMISSION		

MATERIAL NUMBER	# OF COLUMNS	DIM. "A" MAX.	DIM. "B"
76020-***4	4	22.20	11.10
76020-***6	6	29.60	18.50
76020-***0	10	44.40	33.30

76020-****

MODULE STYLE AND TAIL PLATING TYPE _____ # OF COLUMNS/PLATING

- 4 = GUIDE RIGHT, MATTE TIN (FORMERLY TIN/LEAD)
- 5 = GUIDE RIGHT, MATTE TIN

- 04 = 4 COL 30 GOLD
- 06 = 6 COL 30 GOLD
- 10 = 10 COL 30 GOLD
- 44 = 4 COL 10 GOLD (MAPS)
- 46 = 6 COL 10 GOLD (MAPS)
- 40 = 10 COL 10 GOLD (MAPS)
- 54 = 4 COL W/ESD CLIP 30 GOLD
- 56 = 6 COL W/ESD CLIP 30 GOLD
- 50 = 10 COL W/ESD CLIP 30 GOLD
- 74 = 4 COL W/ESD CLIP 10 GOLD (MAPS)
- 76 = 6 COL W/ESD CLIP 10 GOLD (MAPS)
- 70 = 10 COL W/ESD CLIP 10 GOLD (MAPS)

POLARIZATION KEY ORIENTATION _____

- 0 = NO KEY
- 1 = A
- 2 = B
- 3 = C
- 4 = D
- 5 = E
- 6 = F
- 7 = G
- 8 = H

SEE SHEET 1 EC NO: UCP2013-4120 2012/11/12 DRWIN:BBARKER 2013/03/19 CHKD:HWOLFE APPR:SMILLER 2013/08/05	QUALITY SYMBOLS	GENERAL TOLERANCES (UNLESS SPECIFIED)		DIMENSION STYLE MM ONLY		SCALE 1:1	DESIGN UNITS METRIC	THIRD ANGLE PROJECTION	
	▽=0	mm	INCH	DRAWN BY MCARRANZA	DATE 3/20/06	TITLE I-TRAC DAUGHTERCARD 7 ROW GUIDE RIGHT SIGNAL MODULE			
	▽=0	4 PLACES ± ---	± ---	CHECKED BY JLAURX	DATE 3/21/06				
	▽=0	ANGULAR ±1/2°		APPROVED BY JLAURX		DATE 3/21/06	DOCUMENT NO. SD-76020-004		SHEET NO. 2 OF 2
	DRAFT WHERE APPLICABLE MUST REMAIN WITHIN DIMENSIONS		MATERIAL NO. SEE CHART		THIS DRAWING CONTAINS INFORMATION THAT IS PROPRIETARY TO MOLEX INCORPORATED AND SHOULD NOT BE USED WITHOUT WRITTEN PERMISSION				