



Chipsmall Limited consists of a professional team with an average of over 10 year of expertise in the distribution of electronic components. Based in Hongkong, we have already established firm and mutual-benefit business relationships with customers from,Europe,America and south Asia,supplying obsolete and hard-to-find components to meet their specific needs.

With the principle of "Quality Parts,Customers Priority,Honest Operation,and Considerate Service",our business mainly focus on the distribution of electronic components. Line cards we deal with include Microchip,ALPS,ROHM,Xilinx,Pulse,ON,Everlight and Freescale. Main products comprise IC,Modules,Potentiometer,IC Socket,Relay,Connector.Our parts cover such applications as commercial,industrial, and automotives areas.

We are looking forward to setting up business relationship with you and hope to provide you with the best service and solution. Let us make a better world for our industry!



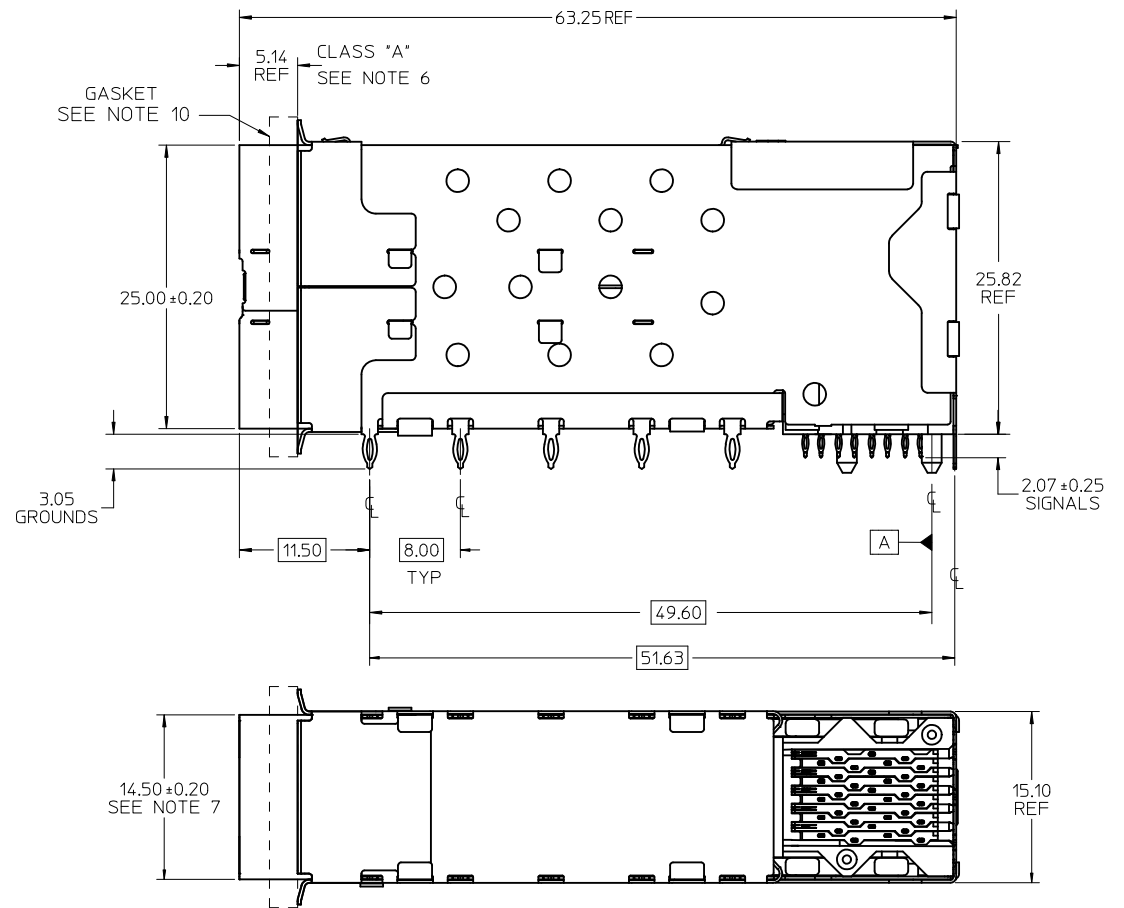
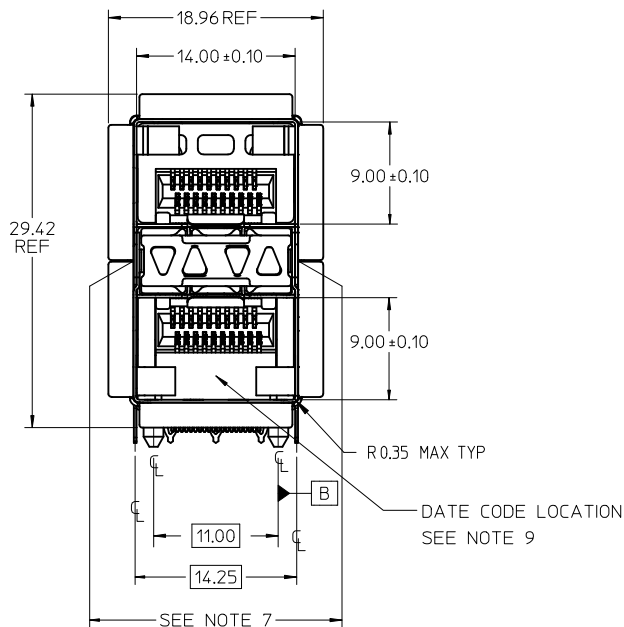
Contact us

Tel: +86-755-8981 8866 Fax: +86-755-8427 6832

Email & Skype: info@chipsmall.com Web: www.chipsmall.com

Address: A1208, Overseas Decoration Building, #122 Zhenhua RD., Futian, Shenzhen, China





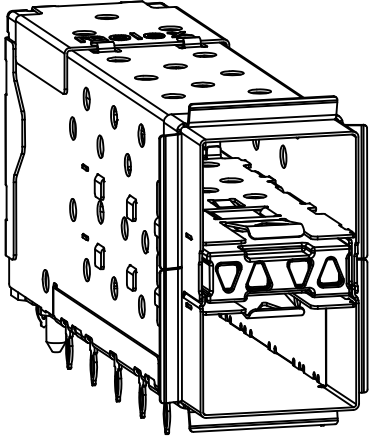
NOTES

- MATERIAL:**
 EMI GASKET: CONDUCTIVE ELASTOMER
 CAGE: NICKEL SILVER, THICKNESS: 0.25mm
 CAGE FLANGE: STAINLESS STEEL
 CONNECTOR HOUSING: GLASS FILLED LIQUID CRYSTAL POLYMER (LCP), UL 94V-0, COLOR: BLACK
 OVERMOLD TERMINAL HOUSING: GLASS FILLED LIQUID CRYSTAL POLYMER (LCP), UL 94V-0, COLOR: BLACK
 TERMINALS: TIN BRASS
 LIGHTPIPES: POLYCARBONATE, 94 V-0, CLEAR
 LIGHTPIPE HOUSING: ZINC
- FINISHES:**
 TERMINALS: CONTACT AREA: 0.76 MICROMETERS MINIMUM HARD GOLD OVER 1.27 MICROMETERS MINIMUM NICKEL.
 COMPLIANT TAIL - MATTE TIN/LEAD OPTION: 0.76 TO 1.52 MICROMETERS 90/10 MATTE TIN-LEAD OVER 0.76 MICROMETERS MINIMUM NICKEL.
 COMPLIANT TAIL - MATTE TIN OPTION: 0.76 TO 1.52 MICROMETERS MATTE TIN OVER 0.76 MICROMETERS MINIMUM NICKEL.
 LIGHTPIPE HOUSING: 80 MICROMETERS MINIMUM NICKEL OVER COPPER
- REFER TO PS-75310-001 PRODUCT SPEC FOR ALL ELECTRICAL, MECHANICAL, AND ENVIRONMENTAL SPECIFICATIONS.
- LIGHTPIPE PAD LAYOUT IS FOR 0805 LOW-PROFILE LED PACKAGE, FOR OTHER RECOMMENDED LAYOUTS REFER TO MOLEX'S REPORT TS-75310-001.
- REFER TO PK-76090-0001 FOR ALL PACKAGING SPECIFICATIONS.
- THE SURFACES CONFORM TO THE MOLEX COSMETIC SPEC PS-45499-002. ALL EXTERIOR SURFACES TO BE CLASS "B" SURFACE EXCEPT THE UNDERSIDE (CLASS "C") OF THE CAGE (SIDE TOWARD THE PCB) AND AS OTHERWISE NOTED.
- THE OVERALL CAGE WIDTH AT THE VERTICAL CENTER OF THE FRONT EDGE WILL FALL WITHIN THIS DIMENSION: 14.75+/-0.30 MM. THIS PORTION OF THE CAGE WILL FLEX INWARD AS THE CAGE IS BEING INSERTED INTO THE BEZEL OPENING.
- REFER TO AS-76090-001 FOR HIGH SPEED ROUTING RECOMMENDATIONS.
- DATE CODE LOCATION IS SHOWN ABOVE.
 DATE CODE FORMAT: DDDY MX A1
 DDD = DAY OF THE YEAR
 Y = YEAR
 MX = MOLEX
 A = ALPHA CHARACTER - INDICATES MANUFACTURING LINE
 1 = NUMERIC CHARACTER - INDICATES PRODUCTION SHIFT
- ELASTOMERIC GASKETS ARE SUPPLIED SEPARATELY, IN THE BOX WITH THE CONNECTOR ASSEMBLIES.

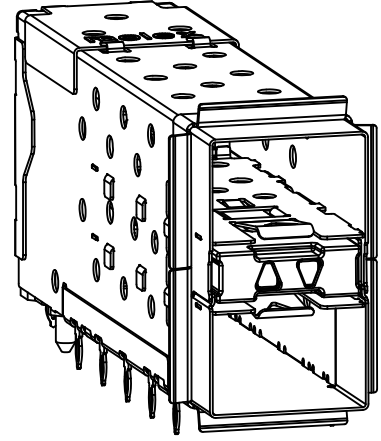
PART NUMBER	DESCRIPTION - SEE VIEWS ON SHEET 2	COMPLIANT TAIL PLATING
	4 LIGHT PORTS	MATTE TIN / LEAD
	INNER 2 PORTS	MATTE TIN / LEAD
	OUTER 2 PORTS	MATTE TIN / LEAD
	4 LIGHT PORTS	MATTE TIN
	INNER 2 PORTS	MATTE TIN
	OUTER 2 PORTS	MATTE TIN
760907002	INNER 2 PORTS - ENHANCED EMI	MATTE TIN

ELASTOMERIC GASKETS SUPPLIED LOOSE IN BAGS

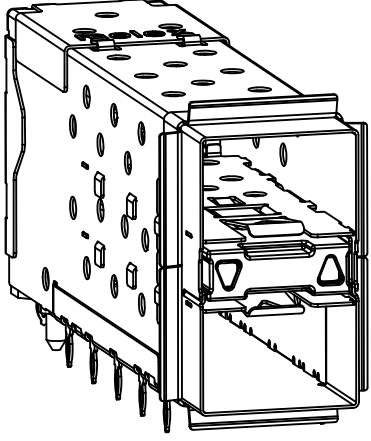
INITIAL RELEASE EC NO: UCP2012-1596 DRWIN:BBARKER 2011/11/16 CHKD:DMORGAN APPR:SMILLER 2011/11/28 DESCRIPTION REV: A	QUALITY SYMBOLS ∇=0 ∇=0 ∇=0	GENERAL TOLERANCES (UNLESS SPECIFIED) <table border="1"> <tr> <th></th> <th>mm</th> <th>INCH</th> </tr> <tr> <td>4 PLACES</td> <td>± 0.25</td> <td>± 0.010</td> </tr> <tr> <td>3 PLACES</td> <td>± 0.20</td> <td>± 0.008</td> </tr> <tr> <td>2 PLACES</td> <td>± 0.13</td> <td>± 0.005</td> </tr> <tr> <td>1 PLACE</td> <td>± 0.25</td> <td>± 0.010</td> </tr> </table>		mm	INCH	4 PLACES	± 0.25	± 0.010	3 PLACES	± 0.20	± 0.008	2 PLACES	± 0.13	± 0.005	1 PLACE	± 0.25	± 0.010	DIMENSION STYLE MM ONLY DRAWN BY: BBARKER DATE: 2011/11/16 CHECKED BY: DATE:	SCALE: 3:1 DESIGN UNITS: METRIC THIRD ANGLE PROJECTION	STACKED SFP+ 2X1 ASS'Y WITH ELASTOMERIC GASKET AND LIGHTPIPES MOLEX INCORPORATED RSD-76090-0001 SHEET NO. 1 OF 4
		mm	INCH																	
	4 PLACES	± 0.25	± 0.010																	
	3 PLACES	± 0.20	± 0.008																	
2 PLACES	± 0.13	± 0.005																		
1 PLACE	± 0.25	± 0.010																		
DRAFT WHERE APPLICABLE MUST REMAIN WITHIN DIMENSIONS		APPROVED BY: SMILLER DATE: 2011/11/28 MATERIAL NO. SEE TABLE DOCUMENT NO. RSD-76090-0001	THIS DRAWING CONTAINS INFORMATION THAT IS PROPRIETARY TO MOLEX INCORPORATED AND SHOULD NOT BE USED WITHOUT WRITTEN PERMISSION																	



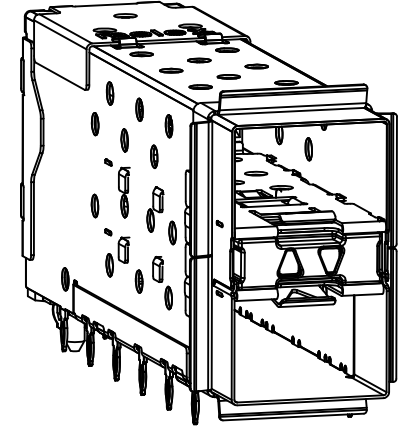
WITH INNER AND OUTER LIGHTPIPES



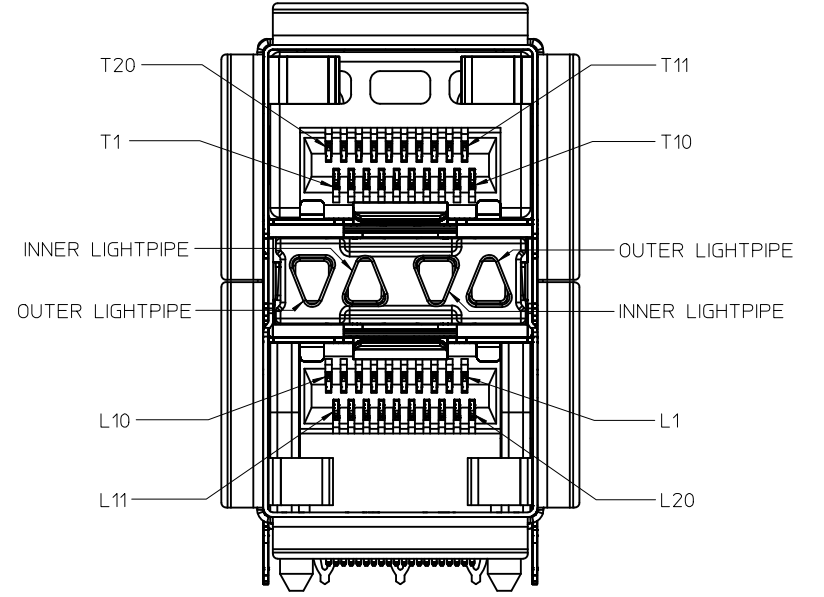
WITH INNER LIGHTPIPES



WITH OUTER LIGHTPIPES

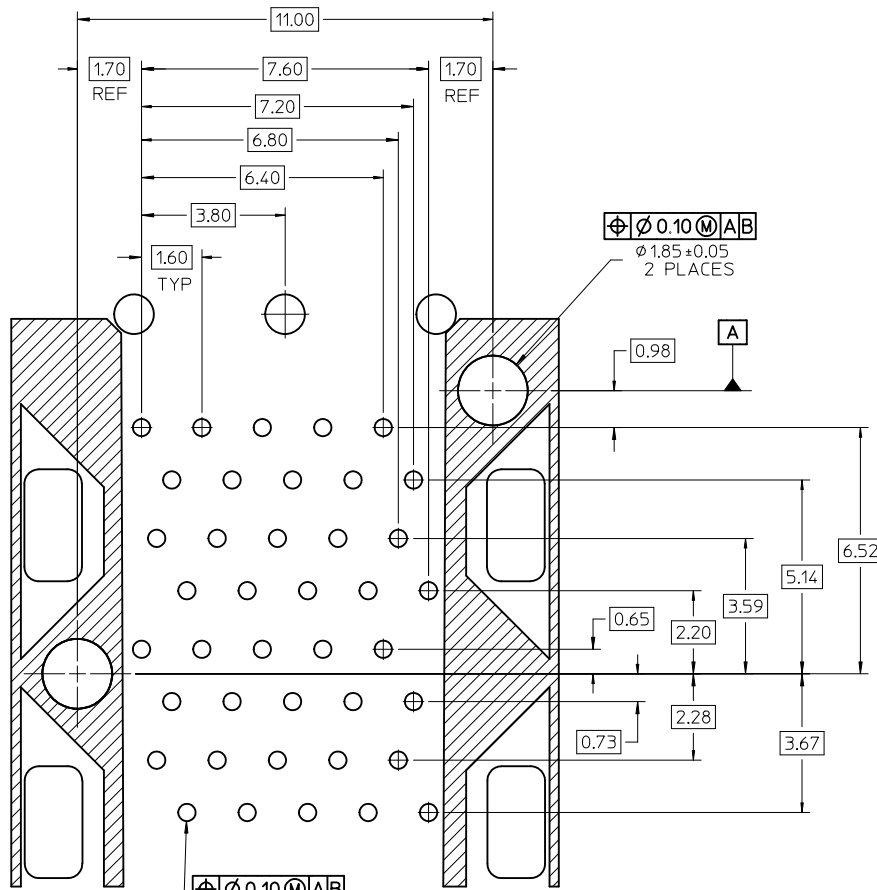


760907002
WITH INNER LIGHTPIPES
& ENHANCED EMI MID-SECTION



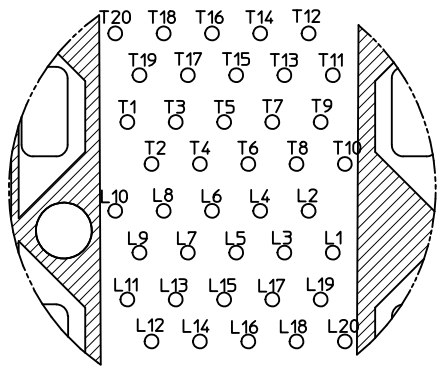
CIRCUIT NUMBERING
AND LIGHTPIPE
IDENTIFICATION

SEE SHEET 1 EC NO: UCP2012-1596 DRWN:BBARKER 2011/11/16 CHKD:JMORGAN APPR:SMILLER 2011/11/28	QUALITY SYMBOLS ▽=0 ▽=0 ▽=0	GENERAL TOLERANCES (UNLESS SPECIFIED) mm INCH 4 PLACES ± --- ± --- 3 PLACES ± --- ± --- 2 PLACES ± 0.13 ± --- 1 PLACE ± 0.25 ± --- ANGULAR ± 5 °	DIMENSION STYLE MM ONLY DRAWN BY DATE BBARKER 2011/11/16 CHECKED BY DATE	SCALE 3:1 DESIGN UNITS METRIC THIRD ANGLE PROJECTION	TITLE STACKED SFP+ 2X1 ASS'Y WITH ELASTOMERIC GASKET AND LIGHTPIPES	MOLEX INCORPORATED	SHEET NO. 2 OF 4	
	DRAFT WHERE APPLICABLE MUST REMAIN WITHIN DIMENSIONS	APPROVED BY DATE SMILLER 2011/11/28	MATERIAL NO. SEE TABLE, SHT 1	DOCUMENT NO. RSD-76090-0001				
	THIS DRAWING CONTAINS INFORMATION THAT IS PROPRIETARY TO MOLEX INCORPORATED AND SHOULD NOT BE USED WITHOUT WRITTEN PERMISSION							
	A	REV	DESCRIPTION					

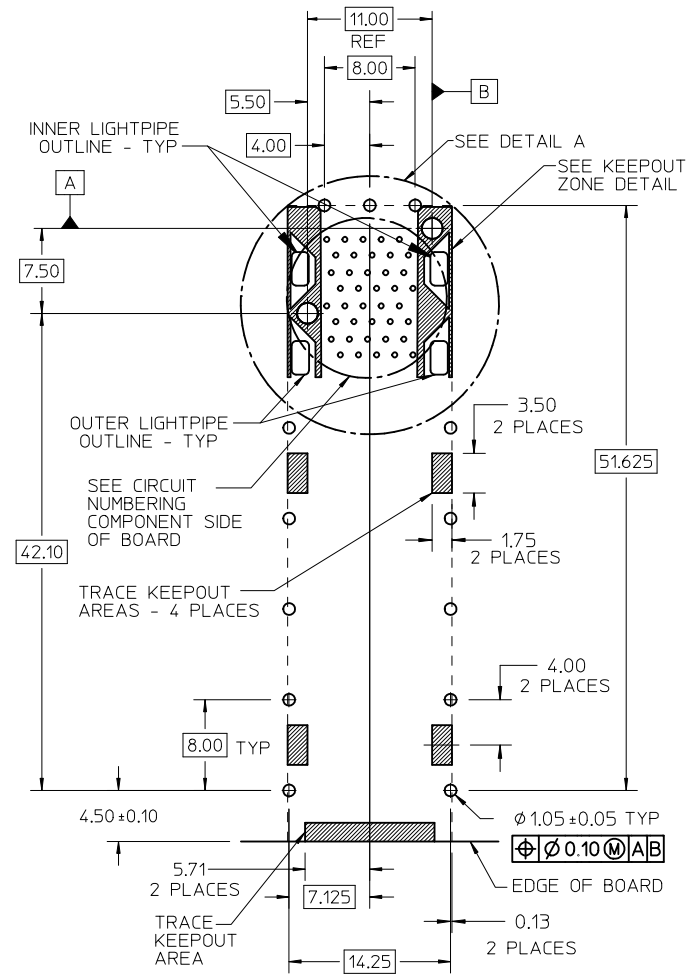


DETAIL A
SCALE 10:1

Ø 0.10 M AB
Ø 0.46 ± 0.05 TYP
(Ø 0.57 DRILL)
(Ø 0.88 PAD)



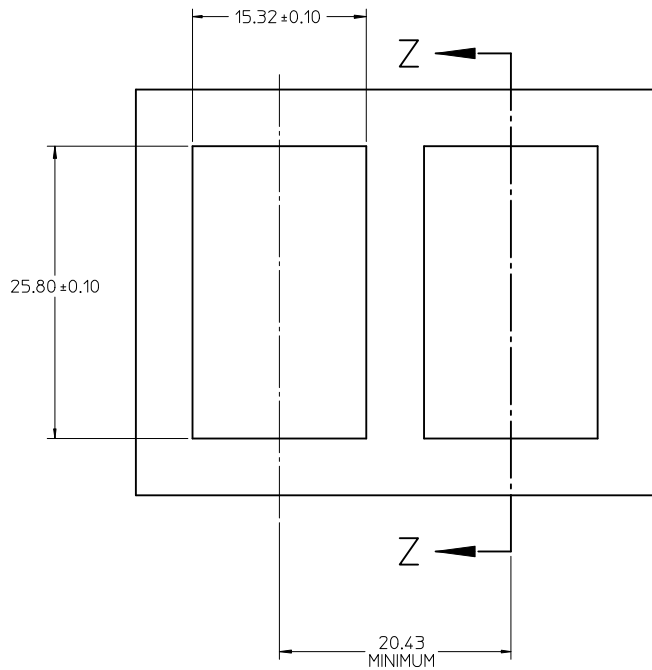
CIRCUIT NUMBERING
COMPONENT SIDE OF BOARD
SCALE 10:1



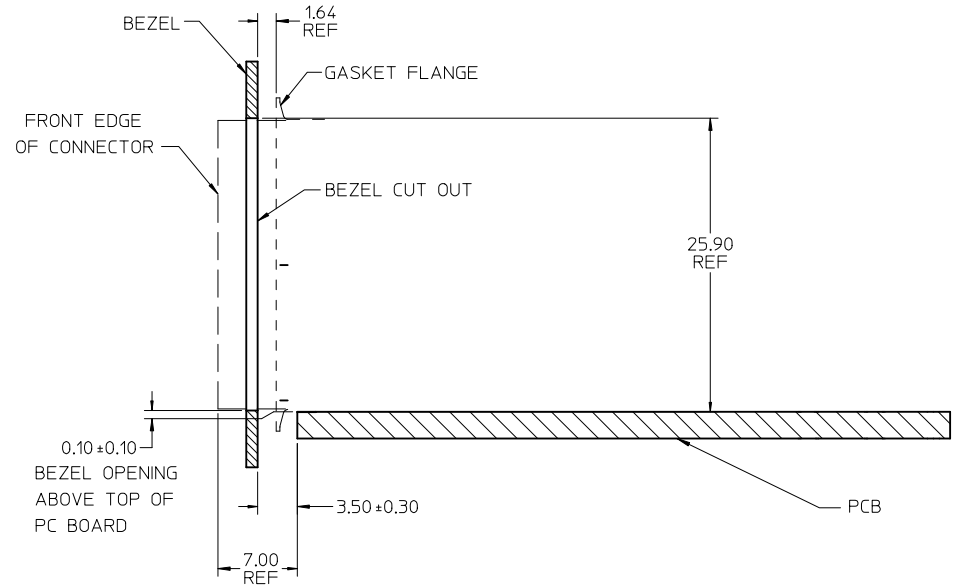
RECOMMENDED PCB LAYOUT - COMPONENT SIDE
RECOMMENDED PCB THICKNESS - 2.36 MM (.093 INCH)

THE ENTIRE AREA OF THE CONNECTOR FOOTPRINT
TO BE CONSIDERED THE KEEP OUT AREA FOR COMPONENTS
(OTHER THAN LIGHTPIPE LED'S)
THIS AREA IS INDICATED BY THE DASHED LINE

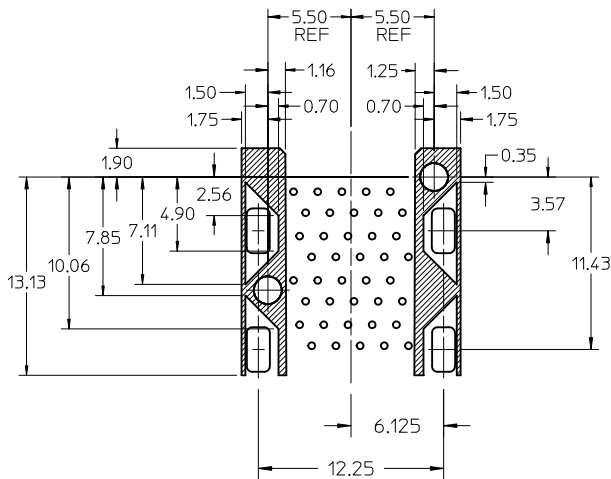
SEE SHEET 1 IEC NO: UCP2012-1596 DRWN:BBARKER 2011/11/16 CHKD:DMORGAN APPR:SMILLER 2011/11/28	QUALITY SYMBOLS ▽=0 ▽=0 ▽=0	GENERAL TOLERANCES (UNLESS SPECIFIED)		DIMENSION STYLE MM ONLY		SCALE 3:1	DESIGN UNITS METRIC	THIRD ANGLE PROJECTION		
		4 PLACES ± --- ± ---	mm INCH	DRAWN BY BBARKER	DATE 2011/11/16	TITLE STACKED SFP+ 2X1 ASS'Y WITH ELASTOMERIC GASKET AND LIGHTPIPES				
		3 PLACES ± --- ± ---		CHECKED BY DATE		MOLEX INCORPORATED				
		2 PLACES ± 0.13 ± ---		APPROVED BY SMILLER		DATE 2011/11/28	MATERIAL NO. SEE TABLE, SHT 1		DOCUMENT NO. RSD-76090-0001	SHEET NO. 3 OF 4
1 PLACE ± 0.25 ± ---		ANGULAR ± 5 °		DRAFT WHERE APPLICABLE MUST REMAIN WITHIN DIMENSIONS		THIS DRAWING CONTAINS INFORMATION THAT IS PROPRIETARY TO MOLEX INCORPORATED AND SHOULD NOT BE USED WITHOUT WRITTEN PERMISSION				



BEZEL CUT-OUT CENTER SPACING DETAIL
BEZEL THICKNESS 0.8-2.6



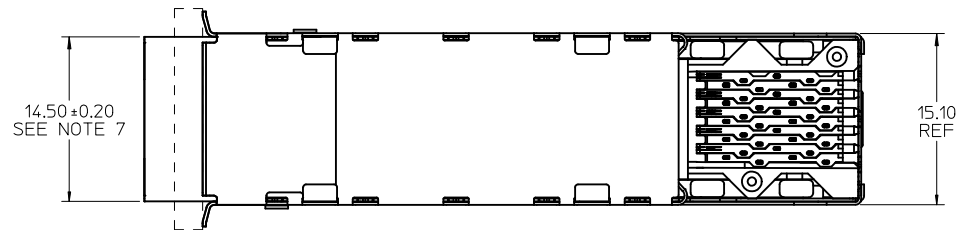
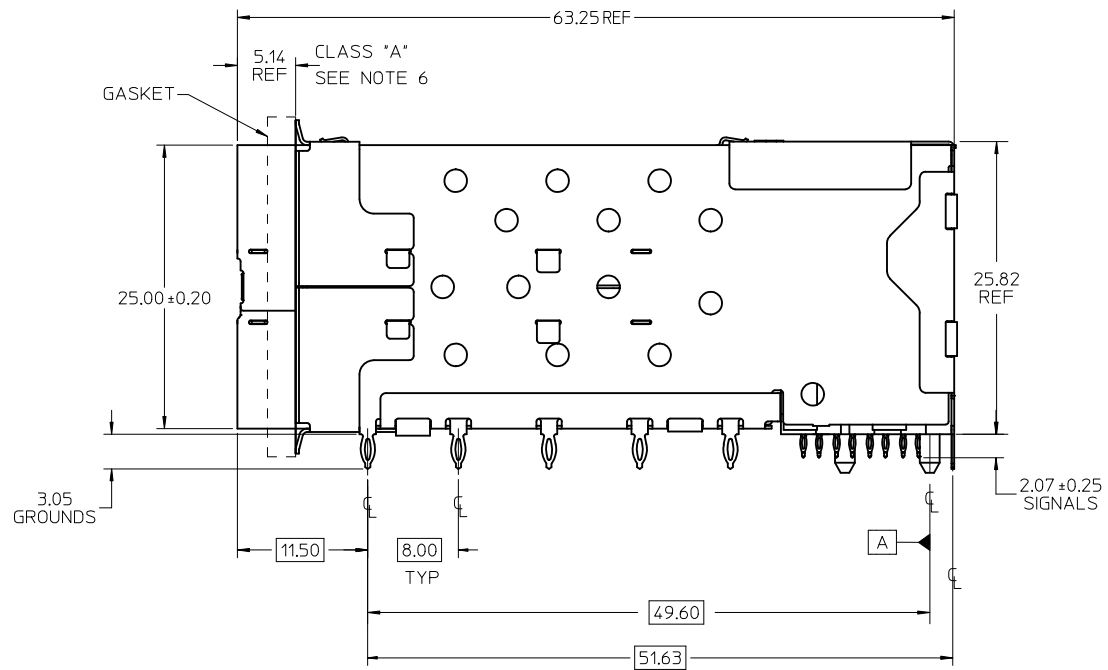
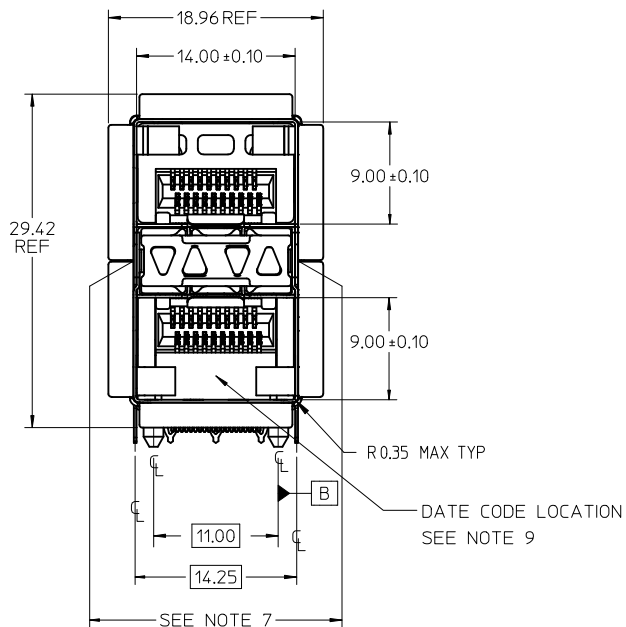
SECTION Z-Z



KEEP-OUT ZONE DETAIL - LIGHTPIPE LOCATION AND OTHER ZONES
SCALE 4:1

THE HATCHED AREA IN THIS VIEW INDICATES ZONES THAT ARE OCCUPIED BY THE PLASTIC HOUSING THAT SEATS AGAINST THE PCB AND BY THE VERTICAL METAL CAGE WALL THAT STOPS JUST SHORT OF THE PCB

SEE SHEET 1 EC NO: UCP2012-1596 DRAWN BY: BBARKER 2011/11/16 CHKD: MORGAN APPR: SMILLER 2011/11/28	QUALITY SYMBOLS ▽=0 ▽=0 ▽=0	GENERAL TOLERANCES (UNLESS SPECIFIED)		DIMENSION STYLE MM ONLY	SCALE 3:1	DESIGN UNITS METRIC	THIRD ANGLE PROJECTION	
		4 PLACES ± ---	3 PLACES ± ---	2 PLACES ± 0.13	1 PLACE ± 0.25	ANGULAR ± 5 °	DRAWN BY: BBARKER 2011/11/16 CHECKED BY: DATE	DATE: 2011/11/16
A	REV	DRAFT WHERE APPLICABLE MUST REMAIN WITHIN DIMENSIONS		APPROVED BY: SMILLER 2011/11/28	DATE: 2011/11/28	MOLEX INCORPORATED DOCUMENT NO. RSD-76090-0001 SHEET NO. 4 OF 4		
				SIZE: C	THIS DRAWING CONTAINS INFORMATION THAT IS PROPRIETARY TO MOLEX INCORPORATED AND SHOULD NOT BE USED WITHOUT WRITTEN PERMISSION			

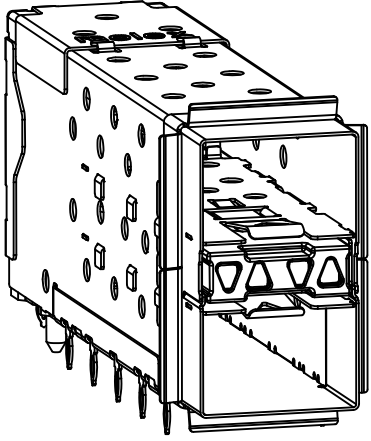


NOTES

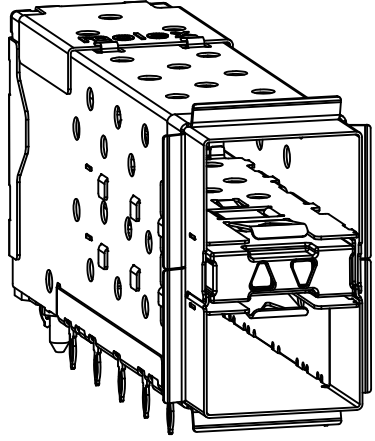
- MATERIAL:**
 EMI GASKET: CONDUCTIVE ELASTOMER
 CAGE: NICKEL SILVER, THICKNESS: 0.25mm
 CAGE FLANGE: STAINLESS STEEL
 CONNECTOR HOUSING: GLASS FILLED LIQUID CRYSTAL POLYMER (LCP), UL 94V-0, COLOR: BLACK
 OVERMOLD TERMINAL HOUSING: GLASS FILLED LIQUID CRYSTAL POLYMER (LCP), UL 94V-0, COLOR: BLACK
 TERMINALS: TIN BRASS
 LIGHTPIPES: POLYCARBONITE, 94 V-0, CLEAR
 LIGHTPIPE HOUSING: ZINC
- FINISHES:**
 TERMINALS: CONTACT AREA: 0.76 MICROMETERS MINIMUM HARD GOLD OVER 1.27 MICROMETERS MINIMUM NICKEL.
 COMPLIANT TAIL - TIN/LEAD OPTION: 0.76 TO 1.52 MICROMETERS 90/10 TIN-LEAD OVER 0.76 MICROMETERS MINIMUM NICKEL.
 COMPLIANT TAIL - TIN OPTION: 0.76 TO 1.52 MICROMETERS TIN OVER 0.76 MICROMETERS MINIMUM NICKEL.
 LIGHTPIPE HOUSING: 80 MICROMETERS MINIMUM NICKEL OVER COPPER
- REFER TO PS-75310-001 PRODUCT SPEC FOR ALL ELECTRICAL, MECHANICAL, AND ENVIRONMENTAL SPECIFICATIONS.
- LIGHTPIPE PAD LAYOUT IS FOR 0805 LOW-PROFILE LED PACKAGE, FOR OTHER RECOMMENDED LAYOUTS REFER TO MOLEX'S REPORT TS-75310-001.
- REFER TO PK-75462-001 FOR ALL PACKAGING SPECIFICATIONS.
- ALL EXTERIOR SURFACES TO BE CLASS "B" SURFACE EXCEPT THE UNDER SIDE PF THE CAGE WHERE THE PCB WOULD BE LOCATED AND AS NOTED, THE SURFACES TO CONFORM TO THE MOLEX COSMETIC DOC PS-45499-002.
- THE OVERALL CAGE WIDTH AT THE VERTICAL CENTER OF THE FRONT EDGE WILL FALL WITHIN THIS DIMENSION: 14.75+/-0.30 MM. THIS PORTION OF THE CAGE WILL FLEX INWARD AS THE CAGE IS BEING INSERTED INTO THE BEZEL OPENING.
- REFER TO AS-76090-001 FOR HIGH SPEED ROUTING RECOMMENDATIONS.
- DATE CODE LOCATION IS SHOWN ABOVE.
 DATE CODE FORMAT: DDDY MX A1
 DDD = DAY OF THE YEAR
 Y = YEAR
 MX = MOLEX
 A = ALPHA CHARACTER - INDICATES MANUFACTURING LINE
 1 = NUMERIC CHARACTER - INDICATES PRODUCTION SHIFT

PART NUMBER	DESCRIPTION	VIEW	COMPLIANT TAIL PLATING
760900001	4 LIGHT PORTS	SEE PG 2	TIN / LEAD
760900002	INNER 2 PORTS	SEE PG 2	TIN / LEAD
760900003	OUTER 2 PORTS	SEE PG 2	TIN / LEAD
760905001	4 LIGHT PORTS	SEE PG 2	TIN
760905002	INNER 2 PORTS	SEE PG 2	TIN
760905003	OUTER 2 PORTS	SEE PG 2	TIN
760903002	INNER 2 PORTS	SEE PG 2	TIN / LEAD
760906002	INNER 2 PORTS	SEE PG 2	TIN

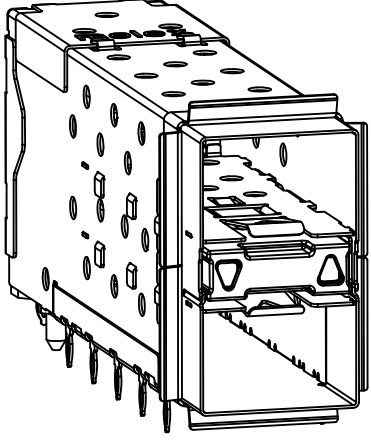
ADD -6002 ASSEMBLY EC NO: UCP2011-3362 DRW: MWOLFE 2011/02/28 CHK: DBSMART APPR: SMILLER 2011/05/09	DESCRIPTION REV 1 QUALITY SYMBOLS ▽=0 ▽=0 ▽=0	GENERAL TOLERANCES (UNLESS SPECIFIED) mm INCH 4 PLACES ± --- ± --- 3 PLACES ± --- ± --- 2 PLACES ± 0.13 ± --- 1 PLACE ± 0.25 ± --- ANGULAR ± 5 °		DIMENSION STYLE MM ONLY DRAWN BY DATE J JANTELEZ 10 01-18-2007 CHECKED BY DATE MSANDBERG 01-18-2007 APPROVED BY DATE KREGNIER 01-18-2007	SCALE 3:1 DESIGN UNITS METRIC THIRD ANGLE PROJECTION	STACKED SFP+ 2X1 ASS'Y WITH ELASTOMERIC GASKET AND LIGHTPIPES MOLEX INCORPORATED DOCUMENT NO. SD-76090-001 SHEET NO. 1 OF 4	
		DRAFT WHERE APPLICABLE MUST REMAIN WITHIN DIMENSIONS		MATERIAL NO. SEE TABLE	MOLEX INCORPORATED	THIS DRAWING CONTAINS INFORMATION THAT IS PROPRIETARY TO MOLEX INCORPORATED AND SHOULD NOT BE USED WITHOUT WRITTEN PERMISSION	
				SIZE C			



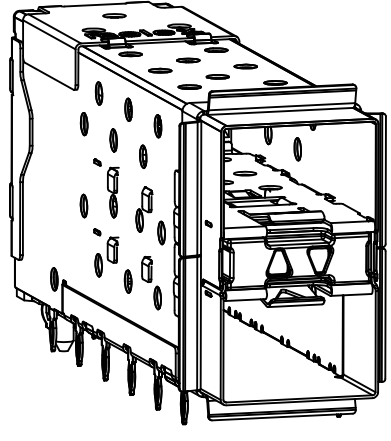
760900001 AND 760905001
WITH INNER AND OUTER LIGHTPIPER



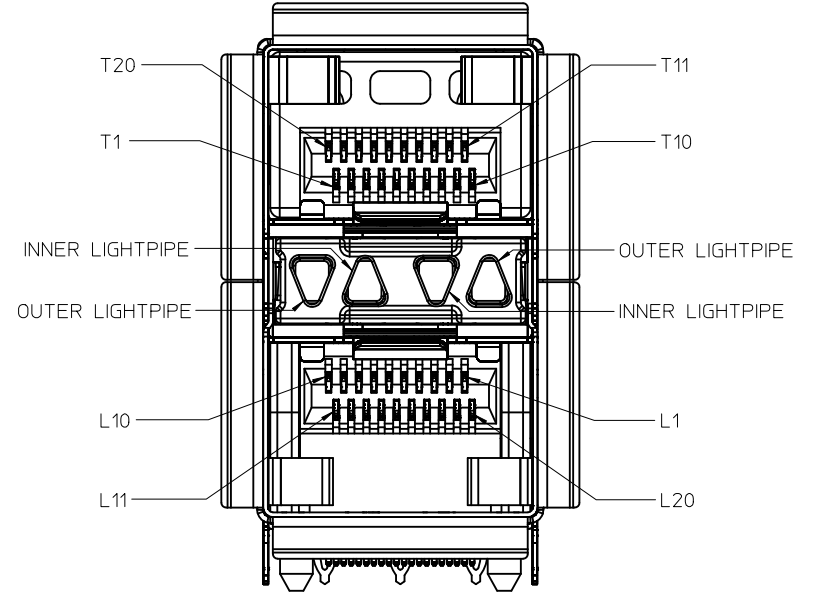
760900002 AND 760905002
WITH INNER LIGHTPIPER



760900003 AND 760905003
WITH OUTER LIGHTPIPER

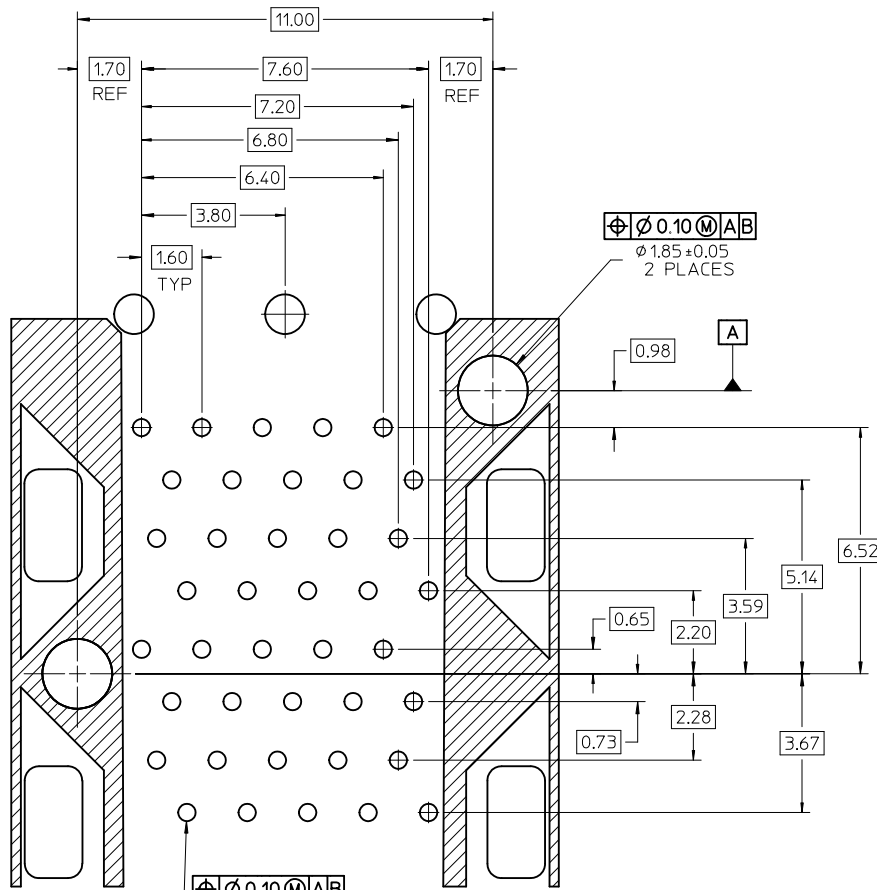


760903002 AND 760906002
WITH INNER LIGHTPIPER
& ENHANCED EMI MID-SECTION



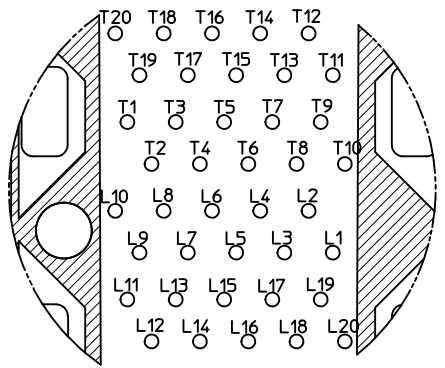
CIRCUIT NUMBERING
AND LIGHTPIPE
IDENTIFICATION

SEE SHEET 1 EC NO: UCP2011-3362 DRWN:MMOLFE CHK:BSMART APPR:SMILLER 2011/02/28 2011/05/09	QUALITY SYMBOLS	GENERAL TOLERANCES (UNLESS SPECIFIED)	DIMENSION STYLE	SCALE	DESIGN UNITS	THIRD ANGLE PROJECTION
	▽=0	mm INCH	MM ONLY	3:1	METRIC	
	▽=0	4 PLACES ± --- ± ---	DRAWN BY DATE	TITLE		
	▽=0	3 PLACES ± --- ± ---	JJANTELEZ10 01-18-2007	STACKED SFP+ 2X1 ASS'Y WITH ELASTOMERIC GASKET AND LIGHTPIPER		
	2 PLACES ± 0.13 ± ---	CHECKED BY DATE	MOLEX INCORPORATED			
	1 PLACE ± 0.25 ± ---	MSANDBERG 01-18-2007	DOCUMENT NO. SD-76090-001			
	ANGULAR ± 5 °	APPROVED BY DATE	SHEET NO. 2 OF 4			
		KREGNIER 01-18-2007	THIS DRAWING CONTAINS INFORMATION THAT IS PROPRIETARY TO MOLEX INCORPORATED AND SHOULD NOT BE USED WITHOUT WRITTEN PERMISSION			
		MATERIAL NO.				
		DRAFT WHERE APPLICABLE MUST REMAIN WITHIN DIMENSIONS				

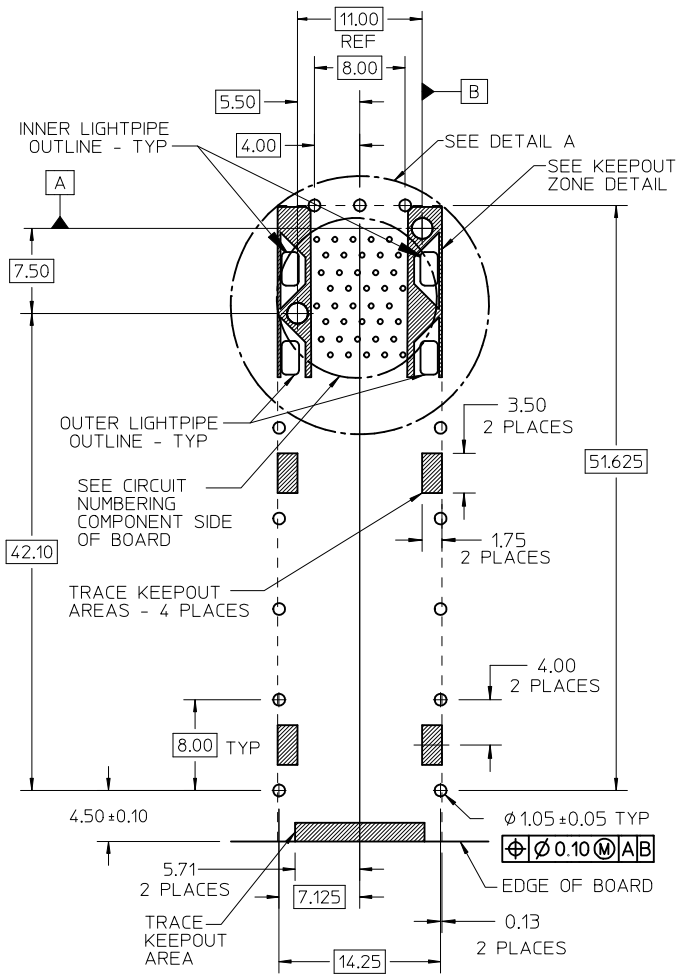


DETAIL A
SCALE 10:1

$\varnothing 0.10$ M AB
 $\varnothing 0.46 \pm 0.05$ TYP
 ($\varnothing 0.57$ DRILL)
 ($\varnothing 0.88$ PAD)



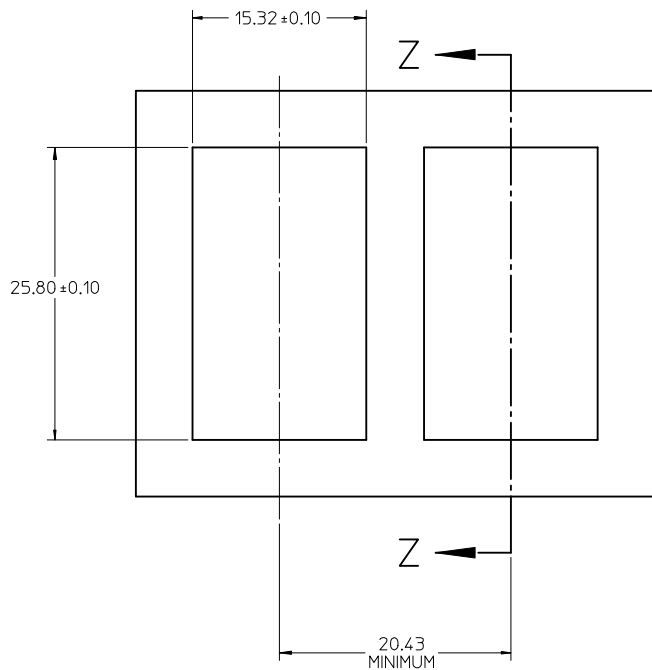
CIRCUIT NUMBERING
COMPONENT SIDE OF BOARD
SCALE 10:1



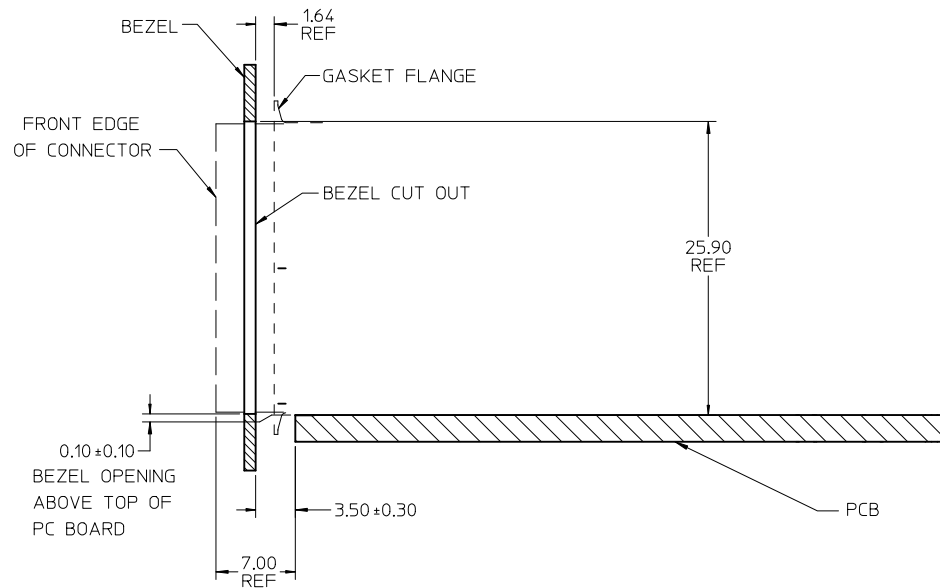
RECOMMENDED PCB LAYOUT - COMPONENT SIDE
RECOMMENDED PCB THICKNESS - 2.36 MM (.093 INCH)

THE ENTIRE AREA OF THE CONNECTOR FOOTPRINT
TO BE CONSIDERED THE KEEP OUT AREA FOR COMPONENTS
(OTHER THAN LIGHTPIPE LED'S)
THIS AREA IS INDICATED BY THE DASHED LINE

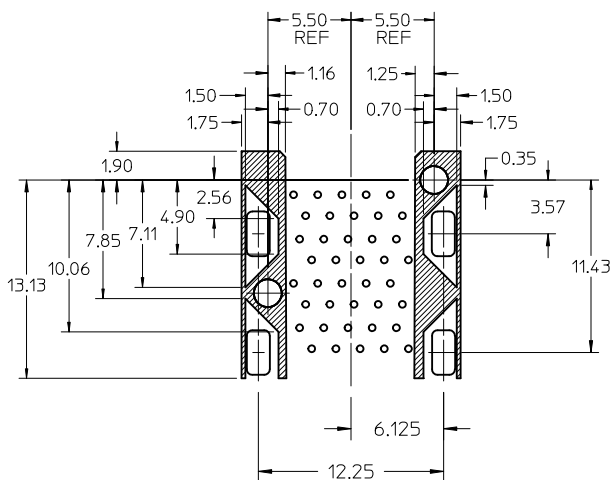
SEE SHEET 1 EC NO: UCP2011-3362 DRWIN:WOLFE 2011/02/28 CHYKD:BSMART APPR:SMILLER 2011/05/09	QUALITY SYMBOLS $\nabla = 0$ $\nabla = 0$ $\nabla = 0$	GENERAL TOLERANCES (UNLESS SPECIFIED)		DIMENSION STYLE MM ONLY		SCALE 3:1	DESIGN UNITS METRIC	THIRD ANGLE PROJECTION		
		mm	INCH	DRAWN BY JJANTELEZ10	DATE 01-18-2007	TITLE STACKED SFP+ 2X1 ASS'Y WITH ELASTOMERIC GASKET AND LIGHTPIPES	MATERIAL NO. SD-76090-001			
G REV	DESCRIPTION APPR:SMILLER 2011/05/09	4 PLACES	± ---	± ---	CHECKED BY MSANDBERG	DATE 01-18-2007	MATERIAL NO. SD-76090-001			
		3 PLACES	± ---	± ---	APPROVED BY KREGNIER	DATE 01-18-2007	MATERIAL NO. SD-76090-001			
		2 PLACES	± 0.13	± ---			MATERIAL NO. SD-76090-001			
		1 PLACE	± 0.25	± ---			MATERIAL NO. SD-76090-001			
		ANGULAR ± 5 °				MATERIAL NO. SD-76090-001				
		DRAFT WHERE APPLICABLE MUST REMAIN WITHIN DIMENSIONS		SEE SHEET 1		MATERIAL NO. SD-76090-001				
				SIZE C		THIS DRAWING CONTAINS INFORMATION THAT IS PROPRIETARY TO MOLEX INCORPORATED AND SHOULD NOT BE USED WITHOUT WRITTEN PERMISSION				



BEZEL CUT-OUT CENTER SPACING DETAIL
BEZEL THICKNESS 0.8-2.6



SECTION Z-Z



KEEPOUT ZONE DETAIL - LIGHTPIPE LOCATION AND OTHER ZONES
SCALE 4:1

THE HATCHED AREA IN THIS VIEW INDICATES ZONES THAT ARE OCCUPIED BY THE PLASTIC HOUSING THAT SEATS AGAINST THE PCB AND BY THE VERTICAL METAL CAGE WALL THAT STOPS JUST SHORT OF THE PCB

SEE SHEET 1 EC NO: UCP2011-3362 DR: WIMOLFE 2011/02/28 CHK: DBSMART APPR: SMILLER 2011/05/09	QUALITY SYMBOLS $\nabla = 0$ $\nabla = 0$ $\nabla = 0$	GENERAL TOLERANCES (UNLESS SPECIFIED) <table border="1"> <thead> <tr> <th></th> <th>mm</th> <th>INCH</th> </tr> </thead> <tbody> <tr> <td>4 PLACES</td> <td>± ---</td> <td>± ---</td> </tr> <tr> <td>3 PLACES</td> <td>± ---</td> <td>± ---</td> </tr> <tr> <td>2 PLACES</td> <td>± 0.13</td> <td>± ---</td> </tr> <tr> <td>1 PLACE</td> <td>± 0.25</td> <td>± ---</td> </tr> </tbody> </table>		mm	INCH	4 PLACES	± ---	± ---	3 PLACES	± ---	± ---	2 PLACES	± 0.13	± ---	1 PLACE	± 0.25	± ---	DIMENSION STYLE MM ONLY DRAWN BY DATE JJANTELEZ10 01-18-2007 CHECKED BY DATE MSANDBERG 01-18-2007 APPROVED BY DATE KREGNIER 01-18-2007	SCALE 3:1 DESIGN UNITS METRIC	THIRD ANGLE PROJECTION
		mm	INCH																	
4 PLACES	± ---	± ---																		
3 PLACES	± ---	± ---																		
2 PLACES	± 0.13	± ---																		
1 PLACE	± 0.25	± ---																		
DRAFT WHERE APPLICABLE MUST REMAIN WITHIN DIMENSIONS	MATERIAL NO. SEE SHEET 1	DOCUMENT NO. SD-76090-001	SHEET NO. 4 OF 4																	