



Chipsmall Limited consists of a professional team with an average of over 10 year of expertise in the distribution of electronic components. Based in Hongkong, we have already established firm and mutual-benefit business relationships with customers from,Europe,America and south Asia,supplying obsolete and hard-to-find components to meet their specific needs.

With the principle of "Quality Parts,Customers Priority,Honest Operation,and Considerate Service",our business mainly focus on the distribution of electronic components. Line cards we deal with include Microchip,ALPS,ROHM,Xilinx,Pulse,ON,Everlight and Freescale. Main products comprise IC,Modules,Potentiometer,IC Socket,Relay,Connector.Our parts cover such applications as commercial,industrial, and automotives areas.

We are looking forward to setting up business relationship with you and hope to provide you with the best service and solution. Let us make a better world for our industry!



## Contact us

Tel: +86-755-8981 8866 Fax: +86-755-8427 6832

Email & Skype: info@chipsmall.com Web: www.chipsmall.com

Address: A1208, Overseas Decoration Building, #122 Zhenhua RD., Futian, Shenzhen, China



SLEEVE TERMINAL  
CABLE CLAMP

HANDLE  
SHIPPED  
UNASSEMBLED

TIP TERMINAL

COUPLING RING

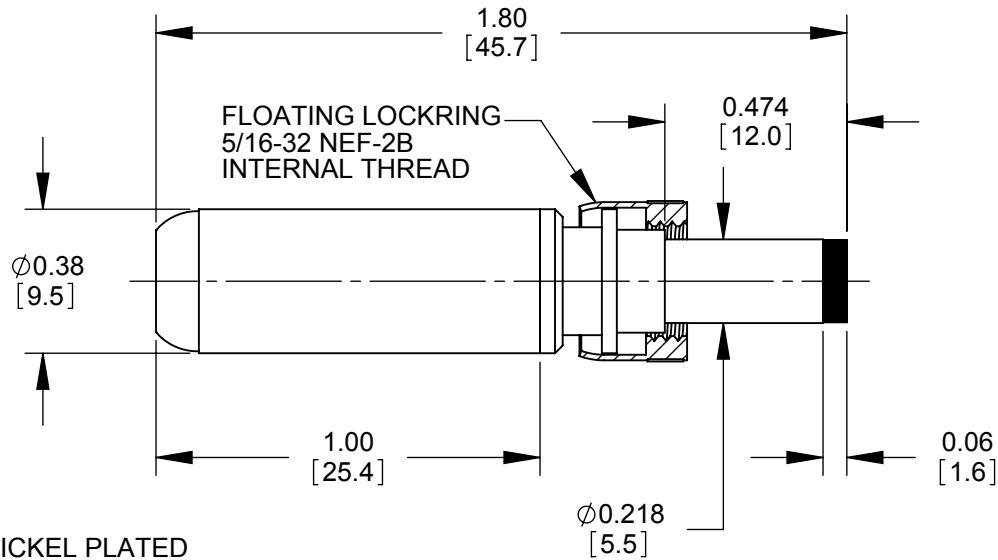
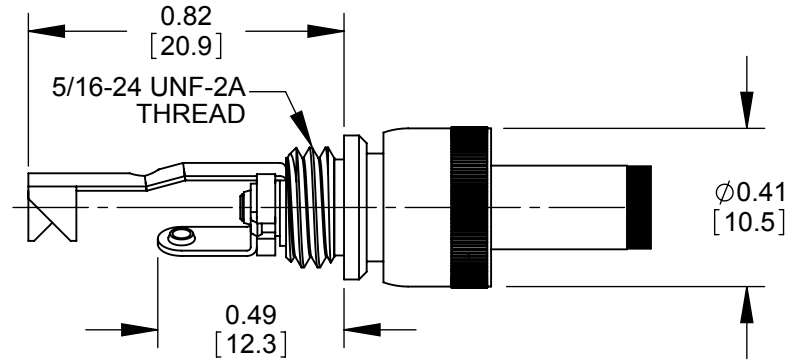
Ø0.218 ID REF  
[5.5]

Ø0.38  
[9.5]

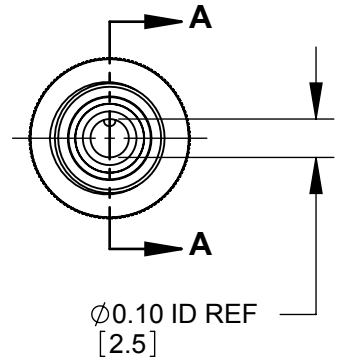
NOTES:

1. MATERIALS:  
CONDUCTORS, LOCKRING - BRASS, NICKEL PLATED  
TERMINALS - BRASS, TIN PLATED  
INSULATORS, HANDLE - THERMOPLASTIC

2. THIS PRODUCT IS RoHS COMPLIANT



PART NUMBER	HANDLE COLOR
761K	BLACK
766K	RED



**CUSTOMER DRAWING**

THIS DRAWING DESCRIBES A DESIGN CONSIDERED PROPRIETARY IN NATURE, DEVELOPED AND MANUFACTURED BY SWITCHCRAFT INC. AND IS RELEASED ON A CONFIDENTIAL BASIS FOR IDENTIFICATION PURPOSES ONLY.

UNLESS OTHERWISE SPECIFIED

1. ALL DIMENSIONS IN INCHES  
- TWO PLACE DECIMALS ±0.02  
- THREE PLACE DECIMALS ±0.005

SIZE *	WIDTH *	MULT *	LBS/M *	TEMPER *
FINISH *			MATERIAL *	
SPEC No. *			SPEC No. *	
FIRST USED ON *		SCALE 2:1		
DATE DRAWN 2-18-94	BY ES	CHKD JLD 2-22-94	APVD GHJ 2-22-94	
NAME Ø0.10 [2.5]mm x 0.474 LONG POWER PLUG W/LOCKRING, RoHS			PART No. 761K-766K	REV D

**Switchcraft®**

SHEET 1 OF 1

DO NOT SCALE DRAWING

SolidWorks CAD File



REV	ECO NUMBER	DATE	BY	APVD
D	25989	11-13-08	JEB	TJK
REVISIONS				