



Chipsmall Limited consists of a professional team with an average of over 10 year of expertise in the distribution of electronic components. Based in Hongkong, we have already established firm and mutual-benefit business relationships with customers from,Europe,America and south Asia,supplying obsolete and hard-to-find components to meet their specific needs.

With the principle of “Quality Parts,Customers Priority,Honest Operation,and Considerate Service”,our business mainly focus on the distribution of electronic components. Line cards we deal with include Microchip,ALPS,ROHM,Xilinx,Pulse,ON,Everlight and Freescale. Main products comprise IC,Modules,Potentiometer,IC Socket,Relay,Connector.Our parts cover such applications as commercial,industrial, and automotives areas.

We are looking forward to setting up business relationship with you and hope to provide you with the best service and solution. Let us make a better world for our industry!



Contact us

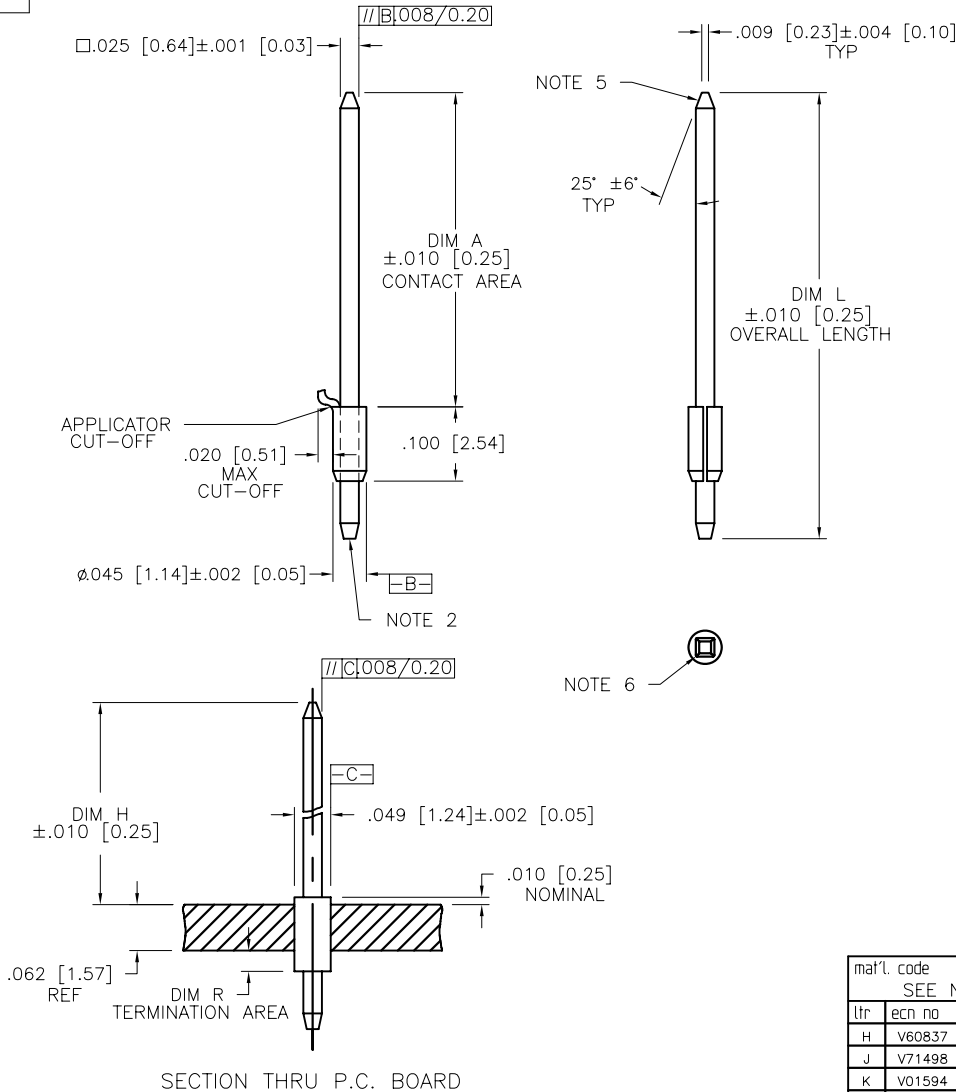
Tel: +86-755-8981 8866 Fax: +86-755-8427 6832

Email & Skype: info@chipsmall.com Web: www.chipsmall.com

Address: A1208, Overseas Decoration Building, #122 Zhenhua RD., Futian, Shenzhen, China



PRODUCT NUMBER
SEE TABLE



NOTES :

- ①. MATERIAL : POST, 3/4 HD PHOS BRONZE
ASTM B-159-66.
FERRULE, 3/4 HD CARTRIDGE
BRASS ASTM B-36-67.
- ②. FLAT MAY GO TO .016 [0.41] MAX WHEN
DIM "R" IS UNDER .200 [5.08].
3. SEE PRODUCT SPECIFICATION BUS-12-040
FOR P.C. BOARD HOLE DIAMETER AND P.C.
BOARD HOLE PLATING INFORMATION.
4. CENTER LINE OF THE TERMINAL MUST
BE IN THE TRUE POSITION IN RESPECT
TO THE HOLE AXIS, WITHIN .015 [0.38]
DIA AFTER INSERTION IN P.C. BOARD.
- ⑤. TWO SIDES OF LEAD-IN NOT PLATED.
TYP BOTH ENDS.
- ⑥. .002 [0.05] R MAX TYP (4) ON WIRE WRAP
PORTION OF POST.
7. POST TO FERRULE RETENTION 12 LBS [5.44 KG]
MIN. BEFORE STAKING.
8. POST IS BONDED TO FERRULE.
9. BURNISH MARKS ON PINS PERMITTED.
10. .015 [0.38] MAX SOLDER PERMISSIBLE
ABOVE AND BELOW THE FERRULE ON
THE SURFACE OF THE PIN.
- ⑪. ADD AN LF SUFFIX TO PART NUMBERS FOR PRODUCT
THAT MEETS EUROPEAN UNION DIRECTIVES AND OTHER
COUNTRY REGULATIONS AS DESCRIBED IN GS-22-008.
PLATING CODE 4 AVAILABLE AS LF (TIN) ONLY.
- ⑫. THIS PRODUCT HAS 100% TIN PLATING IN THE
INTERFACE AND HAS NOT BEEN TESTED FOR WHISKER
GROWTH IN ALL INTERCONNECT ENVIRONMENTS.

| | | | | | | | | | | | |
|---------------------------|----------|-----|------------|---------------------------------------|-------------------|-------------------------|--|------------------|--|---|--|
| mat'l. code SEE NOTE 1 | | | | surface ASME Y14.5 | | tolerance ASME Y14.5 | | projection | | product family PIN PRODUCTS | |
| ltr | ec'n no | dr | date | tolerances unless otherwise specified | | INCH/MM | | title | | BERGPOST® LOOSE PIECE WITH RETENTION NICKS | |
| H | V60837 | EPK | 1996-06-10 | angles | XX+01/XX+3 | scale 5:1 | | dwg no | | sheet 1 of 4 size | |
| J | V71498 | HTB | 1997-10-28 | fil let | XXX+005/XXX+13 | FCI | | 76200 | | A4 | |
| K | V01594 | JRW | 2000-07-12 | 0°±2' | XXXX+0020/XXX+051 | type | | CUSTOMER Drawing | | | |
| L | V05-0387 | HTB | 2005-04-27 | dr | E. KROPIEWNICKI | 1996-06-10 | | | | | |
| M | V06-0685 | HTB | 2006-07-26 | engr | L. FYE | 1996-06-10 | | | | | |
| N | V08-0379 | HTB | 2008-09-04 | chr | T. BREWBAKER | 1996-06-10 | | | | | |
| | | | | appd | L. FYE | 1996-06-10 | | | | | |
| sheet | revision | N | N | N | N | | | | | | |
| index | sheet | 1 | 2 | 3 | 4 | | | | | | |



| PRODUCT NUMBER NOTE 11 | CONTACT AREA DIM A | DIM H | OVERALL LENGTH DIM L | DIM R | PLATING CODE |
|---------------------------|-------------------------|--------------|-------------------------|--------------|-----------------|
| 76200-001 | .308 / 7.82 | .328 / 8.33 | .450 / 11.43 | .060 / 1.52 | OBSOLETE |
| 76200-001LF | .308 / 7.82 | .328 / 8.33 | .450 / 11.43 | .060 / 1.52 | 4 |
| 76200-002 | .558 / 14.17 | .578 / 14.68 | .700 / 17.78 | .060 / 1.52 | OBSOLETE |
| 76200-002LF | .558 / 14.17 | .578 / 14.68 | .700 / 17.78 | .060 / 1.52 | 4 |
| 76200-003 | .698 / 17.73 | .718 / 18.24 | .840 / 21.34 | .060 / 1.52 | OBSOLETE |
| 76200-003LF | .698 / 17.73 | .718 / 18.24 | .840 / 21.34 | .060 / 1.52 | 4 |
| 76200-004 | .748 / 19.00 | .768 / 19.51 | .890 / 22.61 | .060 / 1.52 | OBSOLETE |
| 76200-004LF | .748 / 19.00 | .768 / 19.51 | .890 / 22.61 | .060 / 1.52 | 4 |
| 76200-005 | .558 / 14.17 | .578 / 14.68 | 1.210 / 30.73 | .570 / 14.48 | OBSOLETE |
| 76200-005LF | .558 / 14.17 | .578 / 14.68 | 1.210 / 30.73 | .570 / 14.48 | 4 |
| 76200-006 | .558 / 14.17 | .578 / 14.68 | 1.400 / 35.56 | .760 / 19.30 | OBSOLETE |
| 76200-006LF | .558 / 14.17 | .578 / 14.68 | 1.400 / 35.56 | .760 / 19.30 | 4 |
| 76200-007 | .698 / 17.73 | .718 / 18.24 | 1.485 / 37.72 | .705 / 17.91 | OBSOLETE |
| 76200-007LF | .698 / 17.73 | .718 / 18.24 | 1.485 / 37.72 | .705 / 17.91 | 4 |
| 76200-008 | .228 / 5.79 | .248 / 6.30 | .370 / 9.40 | .060 / 1.52 | OBSOLETE |
| 76200-008LF | .228 / 5.79 | .248 / 6.30 | .370 / 9.40 | .060 / 1.52 | 4 |
| 76200-009 | .558 / 14.17 | .578 / 14.68 | .880 / 22.35 | .240 / 6.10 | OBSOLETE |
| 76200-009LF | .558 / 14.17 | .578 / 14.68 | .880 / 22.35 | .240 / 6.10 | 4 |
| 76200-010 | .583 / 14.81 | .603 / 15.32 | 1.000 / 25.40 | .335 / 8.51 | OBSOLETE |
| 76200-010LF | .583 / 14.81 | .603 / 15.32 | 1.000 / 25.40 | .335 / 8.51 | 4 |
| 76200-011 | .308 / 7.82 | .328 / 8.33 | .450 / 11.43 | .060 / 1.52 | 1 |
| 76200-011LF | .308 / 7.82 | .328 / 8.33 | .450 / 11.43 | .060 / 1.52 | 1 |
| 76200-012 | SUPERCEDED BY 76200-070 | | | | |
| 76200-013 | .698 / 17.73 | .718 / 18.24 | .840 / 21.34 | .060 / 1.52 | 1 |
| 76200-013LF | .698 / 17.73 | .718 / 18.24 | .840 / 21.34 | .060 / 1.52 | 1 |
| 76200-014 | SUPERCEDED BY 76200-059 | | | | |
| 76200-015 | .558 / 14.17 | .578 / 14.68 | 1.210 / 30.73 | .570 / 14.48 | 1 |
| 76200-015LF | .558 / 14.17 | .578 / 14.68 | 1.210 / 30.73 | .570 / 14.48 | 1 |
| 76200-016 | .558 / 14.17 | .578 / 14.68 | 1.400 / 35.56 | .760 / 19.30 | 1 |
| 76200-016LF | .558 / 14.17 | .578 / 14.68 | 1.400 / 35.56 | .760 / 19.30 | 1 |
| 76200-017 | .698 / 17.73 | .718 / 18.24 | 1.485 / 37.72 | .705 / 17.91 | 1 |
| 76200-017LF | .698 / 17.73 | .718 / 18.24 | 1.485 / 37.72 | .705 / 17.91 | 1 |
| 76200-018 | .228 / 5.79 | .248 / 6.30 | .370 / 9.40 | .060 / 1.52 | 1 |
| 76200-018LF | .228 / 5.79 | .248 / 6.30 | .370 / 9.40 | .060 / 1.52 | 1 |
| 76200-019 | .558 / 14.17 | .578 / 14.68 | .880 / 22.35 | .240 / 6.10 | 1 |
| 76200-019LF | .558 / 14.17 | .578 / 14.68 | .880 / 22.35 | .240 / 6.10 | 1 |

| PRODUCT NUMBER NOTE 11 | CONTACT AREA DIM A | DIM H | OVERALL LENGTH DIM L | DIM R | NOTES |
|---------------------------|-----------------------|--------------|-------------------------|--------------|----------|
| 76200-020 | .380 / 9.65 | .400 / 10.16 | .520 / 13.21 | .058 / 1.47 | 3 |
| 76200-020LF | .380 / 9.65 | .400 / 10.16 | .520 / 13.21 | .058 / 1.47 | 3 |
| 76200-021 | .520 / 13.21 | .540 / 13.72 | .662 / 16.81 | .060 / 1.52 | 3 |
| 76200-021LF | .520 / 13.21 | .540 / 13.72 | .662 / 16.81 | .060 / 1.52 | 3 |
| 76200-022 | .380 / 9.65 | .400 / 10.16 | .772 / 19.61 | .320 / 8.13 | 3 |
| 76200-022LF | .380 / 9.65 | .400 / 10.16 | .772 / 19.61 | .320 / 8.13 | 3 |
| 76200-023 | .520 / 13.21 | .540 / 13.72 | .912 / 23.16 | .320 / 8.13 | 3 |
| 76200-023LF | .520 / 13.21 | .540 / 13.72 | .912 / 23.16 | .320 / 8.13 | 3 |
| 76200-024 | .380 / 9.65 | .400 / 10.16 | .522 / 13.26 | .060 / 1.52 | OBSOLETE |
| 76200-024LF | .380 / 9.65 | .400 / 10.16 | .522 / 13.26 | .060 / 1.52 | 4 |
| 76200-025 | .520 / 13.21 | .540 / 13.72 | .662 / 16.81 | .060 / 1.52 | OBSOLETE |
| 76200-025LF | .520 / 13.21 | .540 / 13.72 | .662 / 16.81 | .060 / 1.52 | 4 |
| 76200-026 | .380 / 9.65 | .400 / 10.16 | .772 / 19.61 | .320 / 8.13 | OBSOLETE |
| 76200-026LF | .380 / 9.65 | .400 / 10.16 | .772 / 19.61 | .320 / 8.13 | 4 |
| 76200-027 | .520 / 13.21 | .540 / 13.72 | .912 / 23.16 | .320 / 8.13 | OBSOLETE |
| 76200-027LF | .520 / 13.21 | .540 / 13.72 | .912 / 23.16 | .320 / 8.13 | 4 |
| 76200-028 | .228 / 5.79 | .248 / 6.30 | .550 / 13.97 | .240 / 6.10 | 3 |
| 76200-028LF | .228 / 5.79 | .248 / 6.30 | .550 / 13.97 | .240 / 6.10 | 3 |
| 76200-029 | .323 / 8.20 | .343 / 8.71 | .463 / 11.76 | .058 / 1.47 | 3 |
| 76200-029LF | .323 / 8.20 | .343 / 8.71 | .463 / 11.76 | .058 / 1.47 | 3 |
| 76200-030 | .573 / 14.55 | .593 / 15.06 | .715 / 18.16 | .060 / 1.52 | 3 |
| 76200-030LF | .573 / 14.55 | .593 / 15.06 | .715 / 18.16 | .060 / 1.52 | 3 |
| 76200-031 | .698 / 17.73 | .718 / 18.24 | .840 / 21.34 | .060 / 1.52 | 3 |
| 76200-031LF | .698 / 17.73 | .718 / 18.24 | .840 / 21.34 | .060 / 1.52 | 3 |
| 76200-032 | .763 / 19.38 | .783 / 19.89 | .905 / 22.99 | .060 / 1.52 | 3 |
| 76200-032LF | .763 / 19.38 | .783 / 19.89 | .905 / 22.99 | .060 / 1.52 | 3 |
| 76200-033 | .573 / 14.55 | .593 / 15.06 | 1.240 / 31.50 | .585 / 14.86 | 3 |
| 76200-033LF | .573 / 14.55 | .593 / 15.06 | 1.240 / 31.50 | .585 / 14.86 | 3 |
| 76200-034 | .573 / 14.55 | .593 / 15.06 | 1.430 / 36.32 | .775 / 19.69 | 3 |
| 76200-034LF | .573 / 14.55 | .593 / 15.06 | 1.430 / 36.32 | .775 / 19.69 | 3 |

A

A

| PLATING CODE | PLATING | UNDERPLATING |
|--------------|---------------------|-------------------------|
| 1 | 30µ" [0.76µ] Au | 50µ" [1.27µ] Ni |
| 2 | UNASSIGNED | |
| 3 | 50µ" [1.27µ] Au | 50µ" [1.27µ] Ni |
| 4 | TIN LEAD OPTION | 120µ" [3.05µ] 93/7 SnPb |
| | LF OPTION (NOTE 12) | 100µ" [2.54µ] Sn |
| 5 | 30µ" [0.76µ] GXT™ | 50µ" [1.27µ] Ni |
| 6 | 15µ" [0.38µ] GXT™ | 50µ" [1.27µ] Ni |
| 7 | UNASSIGNED | |
| 8 | UNASSIGNED | |
| 9 | 15µ" [0.38µ] Au | 50µ" [1.27µ] Ni |

DISCONTINUED

| | | | | | |
|---------------------------|----------------|-----------------------|-------------------------|---------------------------------------|---|
| mat'l. code SEE NOTE 1 | | surface ASME Y14.5 | tolerance ASME Y14.5 | projection | product family PIN PRODUCTS |
| ltr | ecn no | dr | date | tolerances unless otherwise specified | title |
| N | | | | angles | INCH/MM |
| | | | | 0°±2' | scale 1:1 |
| | | dr | E. KROPIEWNICKI | 1996-06-04 | BERGPOST® LOOSE PIECE WITH RETENTION NICKS |
| | | engr | L. FYE | 1996-06-04 | |
| | | chr | T. BREWBAKER | 1996-06-04 | |
| | | appd | L. FYE | 1996-06-04 | |
| sheet index | revision sheet | | | | dwg no 76200 |
| | | | | | sheet 2 of 4 |
| | | | | | size A4 |
| | | | | | type CUSTOMER Drawing |

B

B



| PRODUCT NUMBER NOTE 11 | CONTACT AREA DIM A | DIM H | OVERALL LENGTH DIM L | DIM R | PLATING CODE |
|---------------------------|-------------------------|--------------|-------------------------|--------------|-----------------|
| 76200-035 | .698 / 17.73 | .718 / 18.24 | 1.485 / 37.72 | .705 / 17.91 | 3 |
| 76200-035LF | .698 / 17.73 | .718 / 18.24 | 1.485 / 37.72 | .705 / 17.91 | 3 |
| 76200-036 | .228 / 5.79 | .248 / 6.30 | .370 / 9.40 | .060 / 1.52 | 3 |
| 76200-036LF | .228 / 5.79 | .248 / 6.30 | .370 / 9.40 | .060 / 1.52 | 3 |
| 76200-037 | .573 / 14.55 | .593 / 15.06 | .895 / 22.73 | .240 / 6.10 | 3 |
| 76200-037LF | .573 / 14.55 | .593 / 15.06 | .895 / 22.73 | .240 / 6.10 | 3 |
| 76200-038 | .448 / 11.38 | .468 / 11.89 | .590 / 14.99 | .060 / 1.52 | 3 |
| 76200-038LF | .448 / 11.38 | .468 / 11.89 | .590 / 14.99 | .060 / 1.52 | 3 |
| 76200-039 | .485 / 12.32 | .505 / 12.83 | .960 / 24.38 | .393 / 9.98 | OBSOLETE |
| 76200-039LF | .485 / 12.32 | .505 / 12.83 | .960 / 24.38 | .393 / 9.98 | 4 |
| 76200-040 | .380 / 9.65 | .400 / 10.16 | .522 / 13.26 | .060 / 1.52 | 1 |
| 76200-040LF | .380 / 9.65 | .400 / 10.16 | .522 / 13.26 | .060 / 1.52 | 1 |
| 76200-041 | .583 / 14.81 | .603 / 15.32 | 1.000 / 25.40 | .335 / 8.51 | 1 |
| 76200-041LF | .583 / 14.81 | .603 / 15.32 | 1.000 / 25.40 | .335 / 8.51 | 1 |
| 76200-042 | .520 / 13.21 | .540 / 13.72 | .912 / 23.16 | .320 / 8.13 | 1 |
| 76200-042LF | .520 / 13.21 | .540 / 13.72 | .912 / 23.16 | .320 / 8.13 | 1 |
| 76200-043 | .558 / 14.17 | .578 / 14.68 | .700 / 17.78 | .060 / 1.52 | 3 |
| 76200-043LF | .558 / 14.17 | .578 / 14.68 | .700 / 17.78 | .060 / 1.52 | 3 |
| 76200-044 | .615 / 15.62 | .628 / 15.95 | 1.010 / 25.65 | .320 / 8.13 | 3 |
| 76200-044LF | .615 / 15.62 | .628 / 15.95 | 1.010 / 25.65 | .320 / 8.13 | 3 |
| 76200-045 | .323 / 8.20 | .343 / 8.71 | .465 / 11.81 | .060 / 1.52 | OBSOLETE |
| 76200-045LF | .323 / 8.20 | .343 / 8.71 | .465 / 11.81 | .060 / 1.52 | 4 |
| 76200-046 | SUPERCEDED BY 76200-069 | | | | |
| 76200-047 | .240 / 6.10 | .260 / 6.60 | .732 / 18.59 | .410 / 10.41 | 1 |
| 76200-047LF | .240 / 6.10 | .260 / 6.60 | .732 / 18.59 | .410 / 10.41 | 1 |
| 76200-048 | .390 / 9.91 | .410 / 10.41 | 1.075 / 27.31 | .603 / 15.32 | 1 |
| 76200-048LF | .390 / 9.91 | .410 / 10.41 | 1.075 / 27.31 | .603 / 15.32 | 1 |
| 76200-049 | .380 / 9.65 | .400 / 10.16 | .710 / 18.03 | .248 / 6.30 | 3 |
| 76200-049LF | .380 / 9.65 | .400 / 10.16 | .710 / 18.03 | .248 / 6.30 | 3 |
| 76200-050 | .308 / 7.82 | .328 / 8.33 | .450 / 11.43 | .060 / 1.52 | OBSOLETE |
| 76200-050LF | .308 / 7.82 | .328 / 8.33 | .450 / 11.43 | .060 / 1.52 | 4 |
| 76200-051 | .630 / 16.00 | .650 / 16.51 | 1.122 / 28.50 | .410 / 10.41 | 1 |
| 76200-051LF | .630 / 16.00 | .650 / 16.51 | 1.122 / 28.50 | .410 / 10.41 | 1 |
| 76200-052 | .390 / 9.91 | .410 / 10.41 | 1.122 / 28.50 | .650 / 16.51 | 1 |
| 76200-052LF | .390 / 9.91 | .410 / 10.41 | 1.122 / 28.50 | .650 / 16.51 | 1 |

| PRODUCT NUMBER NOTE 11 | CONTACT AREA DIM A | DIM H | OVERALL LENGTH DIM L | DIM R | PLATING CODE |
|---------------------------|-----------------------|--------------|-------------------------|--------------|-----------------|
| 76200-053 | .255 / 6.48 | .275 / 6.99 | .772 / 19.61 | .435 / 11.05 | 3 |
| 76200-053LF | .255 / 6.48 | .275 / 6.99 | .772 / 19.61 | .435 / 11.05 | 3 |
| 76200-054 | .255 / 6.48 | .275 / 6.99 | .642 / 16.31 | .305 / 7.75 | 3 |
| 76200-054LF | .255 / 6.48 | .275 / 6.99 | .642 / 16.31 | .305 / 7.75 | 3 |
| 76200-055 | .651 / 16.54 | .671 / 17.04 | .793 / 20.14 | .060 / 1.52 | 1 |
| 76200-055LF | .651 / 16.54 | .671 / 17.04 | .793 / 20.14 | .060 / 1.52 | 1 |
| 76200-056 | .500 / 12.70 | .520 / 13.21 | .640 / 16.26 | .058 / 1.47 | OBSOLETE |
| 76200-056LF | .500 / 12.70 | .520 / 13.21 | .640 / 16.26 | .058 / 1.47 | 4 |
| 76200-057 | .250 / 6.35 | .270 / 6.86 | .572 / 14.53 | .240 / 6.10 | 1 |
| 76200-057LF | .250 / 6.35 | .270 / 6.86 | .572 / 14.53 | .240 / 6.10 | 1 |
| 76200-058 | .250 / 6.35 | .270 / 6.86 | .390 / 9.91 | .058 / 1.47 | 1 |
| 76200-058LF | .250 / 6.35 | .270 / 6.86 | .390 / 9.91 | .058 / 1.47 | 1 |
| 76200-059 | .750 / 19.05 | .770 / 19.56 | .892 / 22.66 | .060 / 1.52 | 1 |
| 76200-059LF | .750 / 19.05 | .770 / 19.56 | .892 / 22.66 | .060 / 1.52 | 1 |
| 76200-060 | .380 / 9.65 | .400 / 10.16 | .880 / 22.35 | .418 / 10.62 | 1 |
| 76200-060LF | .380 / 9.65 | .400 / 10.16 | .880 / 22.35 | .418 / 10.62 | 1 |
| 76200-061 | .280 / 7.11 | .300 / 7.62 | .552 / 14.02 | .190 / 4.83 | 1 |
| 76200-061LF | .280 / 7.11 | .300 / 7.62 | .552 / 14.02 | .190 / 4.83 | 1 |
| 76200-062 | .338 / 8.59 | .358 / 9.09 | .478 / 12.14 | .058 / 1.47 | 1 |
| 76200-062LF | .338 / 8.59 | .358 / 9.09 | .478 / 12.14 | .058 / 1.47 | 1 |
| 76200-063 | UNAVAILABLE | | | | |
| 76200-063LF | UNAVAILABLE | | | | |
| 76200-064 | .380 / 9.65 | .400 / 10.16 | .960 / 24.38 | .498 / 12.65 | OBSOLETE |
| 76200-064LF | .380 / 9.65 | .400 / 10.16 | .960 / 24.38 | .498 / 12.65 | 4 |
| 76200-065 | .698 / 17.73 | .718 / 18.24 | 1.000 / 25.40 | .225 / 5.72 | OBSOLETE |
| 76200-065LF | .698 / 17.73 | .718 / 18.24 | 1.000 / 25.40 | .225 / 5.72 | 4 |
| 76200-066 | .755 / 19.18 | .775 / 19.69 | 1.260 / 32.00 | .420 / 10.67 | 1 |
| 76200-066LF | .755 / 19.18 | .775 / 19.69 | 1.260 / 32.00 | .420 / 10.67 | 1 |
| 76200-067 | .228 / 5.79 | .248 / 6.30 | .368 / 9.35 | .058 / 1.47 | OBSOLETE |
| 76200-067LF | .228 / 5.79 | .248 / 6.30 | .368 / 9.35 | .058 / 1.47 | 4 |
| 76200-068 | .250 / 6.35 | .270 / 6.86 | .650 / 16.51 | .318 / 8.08 | 1 |
| 76200-068LF | .250 / 6.35 | .270 / 6.86 | .650 / 16.51 | .318 / 8.08 | 1 |

A

A

B

B

| | | | | | |
|---------------------------|----------------|-----------------------|-------------------------|---|---|
| mat'l. code SEE NOTE 1 | | surface ASME Y14.5 | tolerance ASME Y14.5 | projection | product family PIN PRODUCTS |
| ltr | ecr no | dr | date | tolerances unless otherwise specified | title |
| N | | | | angles XX*01/XX*3 XXX*005/XXX*13 XXXX*0020/XXX*051 | BERGPOST® LOOSE PIECE WITH RETENTION NICKS |
| | | | | scale 1:1 | dwg no |
| | | dr | E. KROPIEWNICKI | 1996-06-04 | sheet 3 of 4 |
| | | enr | L. FYE | 1996-06-04 | size |
| | | chr | T. BREWBAKER | 1996-06-04 | 76200 |
| | | appd | L. FYE | 1996-06-04 | A4 |
| sheet index | revision sheet | | | | type |
| | | | | | CUSTOMER Drawing |



| PRODUCT NUMBER NOTE 11 | CONTACT AREA DIM A | DIM H | OVERALL LENGTH DIM L | DIM R | PLATING CODE |
|---------------------------|-----------------------|--------------|-------------------------|--------------|-----------------|
| 76200-069 | .583 / 14.81 | .603 / 15.32 | 1.075 / 27.31 | .410 / 10.41 | 1 |
| 76200-069LF | .583 / 14.81 | .603 / 15.32 | 1.075 / 27.31 | .410 / 10.41 | 1 |
| 76200-070 | .558 / 14.17 | .578 / 14.68 | .695 / 17.65 | .055 / 1.40 | 1 |
| 76200-070LF | .558 / 14.17 | .578 / 14.68 | .695 / 17.65 | .055 / 1.40 | 1 |
| 76200-071 | .390 / 9.91 | .410 / 10.41 | 1.075 / 27.31 | .603 / 15.32 | 1 |
| 76200-071LF | .390 / 9.91 | .410 / 10.41 | 1.075 / 27.31 | .603 / 15.32 | 1 |
| 76200-072 | .240 / 6.10 | .260 / 6.60 | .732 / 18.59 | .410 / 10.41 | 1 |
| 76200-072LF | .240 / 6.10 | .260 / 6.60 | .732 / 18.59 | .410 / 10.41 | 1 |
| 76200-073 | .630 / 16.00 | .650 / 16.51 | 1.122 / 28.50 | .410 / 10.41 | 1 |
| 76200-073LF | .630 / 16.00 | .650 / 16.51 | 1.122 / 28.50 | .410 / 10.41 | 1 |
| 76200-074 | .390 / 9.91 | .410 / 10.41 | 1.122 / 28.50 | .650 / 16.51 | 1 |
| 76200-074LF | .390 / 9.91 | .410 / 10.41 | 1.122 / 28.50 | .650 / 16.51 | 1 |
| 76200-075 | .573 / 14.55 | .593 / 15.06 | .895 / 22.73 | .240 / 6.10 | OBSOLETE |
| 76200-075LF | .573 / 14.55 | .593 / 15.06 | .895 / 22.73 | .240 / 6.10 | 4 |
| 76200-076 | .308 / 7.82 | .328 / 8.33 | .445 / 11.30 | .055 / 1.40 | 1 |
| 76200-076LF | .308 / 7.82 | .328 / 8.33 | .445 / 11.30 | .055 / 1.40 | 1 |
| 76200-077 | .558 / 14.17 | .578 / 14.68 | .695 / 17.65 | .055 / 1.40 | OBSOLETE |
| 76200-077LF | .558 / 14.17 | .578 / 14.68 | .695 / 17.65 | .055 / 1.40 | 4 |
| 76200-078 | .400 / 10.16 | .420 / 10.67 | .892 / 22.66 | .410 / 10.41 | 1 |
| 76200-078LF | .400 / 10.16 | .420 / 10.67 | .892 / 22.66 | .410 / 10.41 | 1 |
| 76200-079 | .630 / 16.00 | .650 / 16.51 | .770 / 19.56 | .058 / 1.47 | 1 |
| 76200-079LF | .630 / 16.00 | .650 / 16.51 | .770 / 19.56 | .058 / 1.47 | 1 |
| 76200-080 | .583 / 14.81 | .603 / 15.32 | 1.075 / 27.31 | .410 / 10.41 | 9 |
| 76200-080LF | .583 / 14.81 | .603 / 15.32 | 1.075 / 27.31 | .410 / 10.41 | 9 |
| 76200-081 | .558 / 14.17 | .578 / 14.68 | .700 / 17.78 | .060 / 1.52 | 9 |
| 76200-081LF | .558 / 14.17 | .578 / 14.68 | .700 / 17.78 | .060 / 1.52 | 9 |
| 76200-082 | .390 / 9.91 | .410 / 10.41 | 1.075 / 27.31 | .603 / 15.32 | 9 |
| 76200-082LF | .390 / 9.91 | .410 / 10.41 | 1.075 / 27.31 | .603 / 15.32 | 9 |
| 76200-083 | .240 / 6.10 | .260 / 6.60 | .732 / 18.59 | .410 / 10.41 | 9 |
| 76200-083LF | .240 / 6.10 | .260 / 6.60 | .732 / 18.59 | .410 / 10.41 | 9 |
| 76200-084 | .630 / 16.00 | .650 / 16.51 | 1.122 / 28.50 | .410 / 10.41 | 9 |
| 76200-084LF | .630 / 16.00 | .650 / 16.51 | 1.122 / 28.50 | .410 / 10.41 | 9 |
| 76200-085 | .390 / 9.91 | .410 / 10.41 | 1.122 / 28.50 | .650 / 16.51 | 9 |
| 76200-085LF | .390 / 9.91 | .410 / 10.41 | 1.122 / 28.50 | .650 / 16.51 | 9 |

| PRODUCT NUMBER NOTE 11 | CONTACT AREA DIM A | DIM H | OVERALL LENGTH DIM L | DIM R | PLATING CODE |
|---------------------------|-----------------------|--------------|-------------------------|--------------|-----------------|
| 76200-086 | .308 / 7.82 | .328 / 8.33 | .450 / 11.43 | .060 / 1.52 | 9 |
| 76200-086LF | .308 / 7.82 | .328 / 8.33 | .450 / 11.43 | .060 / 1.52 | 9 |
| 76200-087 | .400 / 10.16 | .420 / 10.67 | .892 / 22.66 | .410 / 10.41 | 9 |
| 76200-087LF | .400 / 10.16 | .420 / 10.67 | .892 / 22.66 | .410 / 10.41 | 9 |
| 76200-088 | .630 / 16.00 | .650 / 16.51 | .770 / 19.56 | .058 / 1.47 | 9 |
| 76200-088LF | .630 / 16.00 | .650 / 16.51 | .770 / 19.56 | .058 / 1.47 | 9 |
| 76200-089 | .630 / 16.00 | .650 / 16.51 | 1.122 / 28.50 | .410 / 10.41 | OBSOLETE |
| 76200-089LF | .630 / 16.00 | .650 / 16.51 | 1.122 / 28.50 | .410 / 10.41 | 4 |
| 76200-090 | .636 / 16.15 | .650 / 16.51 | 1.122 / 28.50 | .410 / 10.41 | 3 |
| 76200-090LF | .636 / 16.15 | .650 / 16.51 | 1.122 / 28.50 | .410 / 10.41 | 3 |
| 76200-091 | .573 / 14.55 | .593 / 15.06 | .895 / 22.73 | .240 / 6.10 | 9 |
| 76200-091LF | .573 / 14.55 | .593 / 15.06 | .895 / 22.73 | .240 / 6.10 | 9 |
| 76200-092 | .485 / 12.32 | .505 / 12.83 | .960 / 24.38 | .393 / 9.98 | 1 |
| 76200-092LF | .485 / 12.32 | .505 / 12.83 | .960 / 24.38 | .393 / 9.98 | 1 |

A

A

B

B

| | | | | | | | | | |
|---------------------------|----------------|--|------|--|------------|----------------|--|--|--|
| mat'l. code SEE NOTE 1 | | surface ASME Y14.5 <input checked="" type="checkbox"/> ASME Y14.5 | | tolerance tolerances unless otherwise specified | | projection | | product family PIN PRODUCTS | |
| ltr | ecr no | dr | date | angles | fin fin | INCH/MM | | title BERGPOST® LOOSE PIECE WITH RETENTION NICKS | |
| N | | | | | | scale 1:1 | | dwg no | |
| | | | | | | | | sheet 4 of 4 size | |
| | | | | | | | | 76200 A4 | |
| | | | | | | | | type CUSTOMER Drawing | |
| sheet index | revision sheet | | | | | | | | |