



Chipsmall Limited consists of a professional team with an average of over 10 year of expertise in the distribution of electronic components. Based in Hongkong, we have already established firm and mutual-benefit business relationships with customers from,Europe,America and south Asia,supplying obsolete and hard-to-find components to meet their specific needs.

With the principle of "Quality Parts,Customers Priority,Honest Operation,and Considerate Service",our business mainly focus on the distribution of electronic components. Line cards we deal with include Microchip,ALPS,ROHM,Xilinx,Pulse,ON,Everlight and Freescale. Main products comprise IC,Modules,Potentiometer,IC Socket,Relay,Connector.Our parts cover such applications as commercial,industrial, and automotives areas.

We are looking forward to setting up business relationship with you and hope to provide you with the best service and solution. Let us make a better world for our industry!



## Contact us

Tel: +86-755-8981 8866 Fax: +86-755-8427 6832

Email & Skype: info@chipsmall.com Web: www.chipsmall.com

Address: A1208, Overseas Decoration Building, #122 Zhenhua RD., Futian, Shenzhen, China



## DC POWER PLUGS

### MINIATURE 2.1mm POWER PLUGS

#### Features and Benefits

- Part of Switchcraft's 2-Conductor Power Plug Family
- Industry standard 2.1mm configuration
- For added security in critical applications, an optional locking ring is available
- Molded plastic handles available in either black or red (other colors available)
- Sleeve terminal serves as cord clamp
- Fully compatible with Switchcraft mating power jacks (see chart on next page)
- Ideal for attaching extra-low voltage devices, such as consumer electronics equipment, to external power
- Overmold options also available - contact Switchcraft for more information

#### Applications

- Consumer Electronics
- Digital Cameras
- Power Supplies
- Digital Video Recorders
- Personal Audio Equipment
- GPS Automotive Navigation Systems

#### Product Specifications

**Plug Sleeve and Pin:** Nickel-Plated Copper Alloy

**Lock-Ring:** Nickel-Plated Copper Alloy

**Lock-Ring Thread Size:** 5/16 - 32 UNEF 2B

**Finger Insulator:** Molded Plastic

**Insulating Washers:** Rigid Plastic

**Sleeve Terminal:** Electro-Tinned Copper Alloy

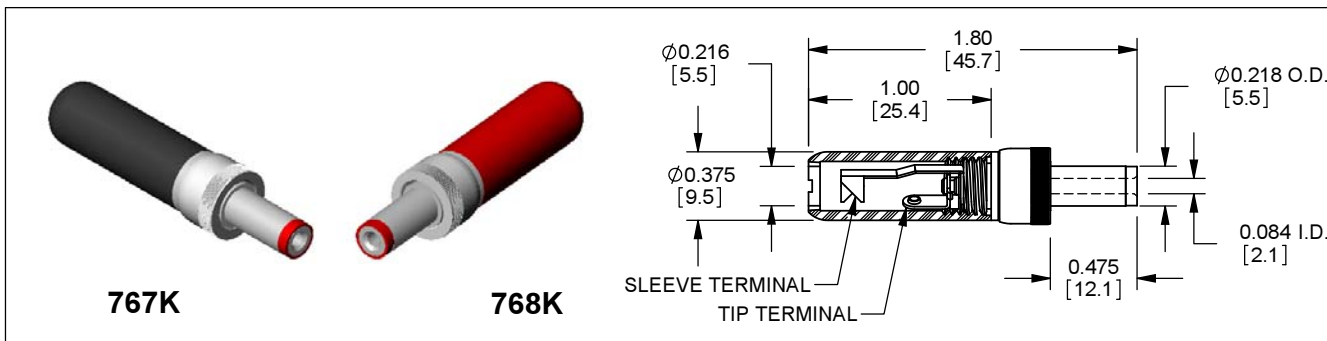
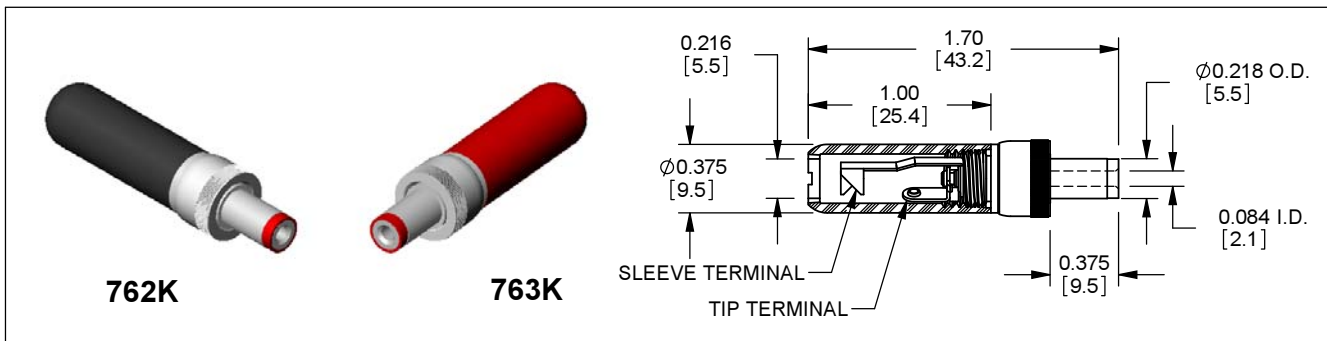
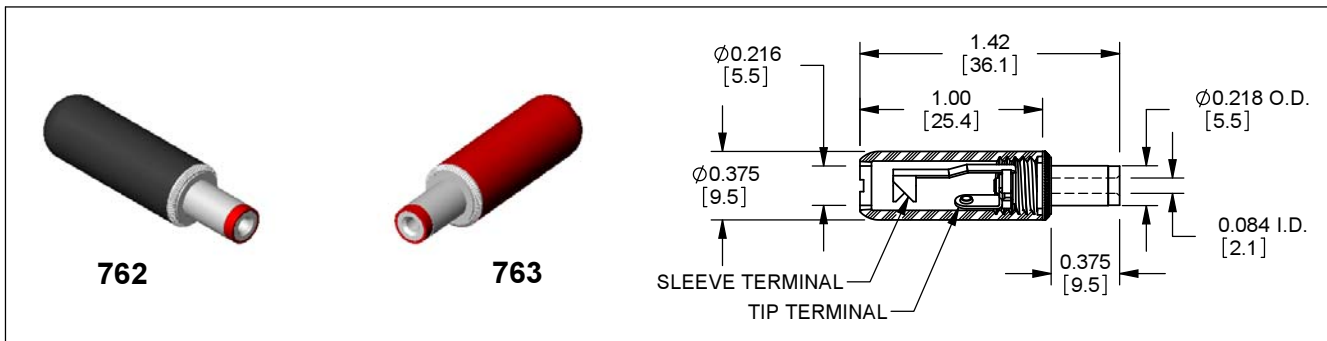
**Handle:** Molded Plastic

**Handle Thread Size:** 5/16 - 24 UNF 2B

**Electrical:** Carry Current - 5 Amps



**MINIATURE 2.1 mm POWER PLUGS**



**PART NUMBERING and MATING CHART (Power Plugs/Power Jacks)**

Part Number	Inside Diameter	Outside Diameter	Length "L1"	Length "L2"	Locking Feature	Tip Insulator	Handle Color	Handle Part Number	Mating Power Jacks
762	0.084"	0.218"	0.375"	1.42"	No	Red	Black	M1055	Any 2.1 mm solid or split pin Jack and Switchcraft® Jacks 722A, 722RA, PC722A
763	0.084"	0.218"	0.375"	1.42"	No	Red	Red	M1056	
762K	0.084"	0.218"	0.375"	1.7"	Yes	Red	Black	M1055	Only with Switchcraft® Jacks 722A, 722RA, PC722A
763K	0.084"	0.218"	0.375"	1.7"	Yes	Red	Red	M1056	
767K	0.084"	0.218"	0.475"	1.8"	Yes	Red	Black	M1055	Only with Switchcraft® Jacks L722A, L722RA, PCL722A
768K	0.084"	0.218"	0.475"	1.8"	Yes	Red	Red	M1056	