



Chipsmall Limited consists of a professional team with an average of over 10 year of expertise in the distribution of electronic components. Based in Hongkong, we have already established firm and mutual-benefit business relationships with customers from,Europe,America and south Asia,supplying obsolete and hard-to-find components to meet their specific needs.

With the principle of “Quality Parts,Customers Priority,Honest Operation,and Considerate Service”,our business mainly focus on the distribution of electronic components. Line cards we deal with include Microchip,ALPS,ROHM,Xilinx,Pulse,ON,Everlight and Freescale. Main products comprise IC,Modules,Potentiometer,IC Socket,Relay,Connector.Our parts cover such applications as commercial,industrial, and automotives areas.

We are looking forward to setting up business relationship with you and hope to provide you with the best service and solution. Let us make a better world for our industry!



Contact us

Tel: +86-755-8981 8866 Fax: +86-755-8427 6832

Email & Skype: info@chipsmall.com Web: www.chipsmall.com

Address: A1208, Overseas Decoration Building, #122 Zhenhua RD., Futian, Shenzhen, China



PRODUCT NUMBER
76341-XXXXLF

ROHS COMPATIBLE, SEE NOTE 5.

OPTIONAL LETTER

H: HIGH TEMPERATURE PRODUCT.

NUMBER OF POSITIONS: 02 TO 50.

PLATING CODE

3= 0.76µm GOLD ON CONTACT AREA.

2µm MIN MATTE TIN ON TAIL.

4= 2µm MIN MATTE TIN FULL PLATED

1.27µm Ni MIN UNDERPLATING

NOTES:

- 1 - HOUSING MAT'L: THERMOPLASTIC GLASS FILLED FLAME RETARDANT PER UL 94 V-0
LOW TEMPERATURE: COLOR BLUE
HIGH TEMPERATURE: COLOR GREY.
- 2 - TERMINAL MATERIAL: PHOSPHOR BRONZE.
- 3 - 2 UP TO 4 POSITIONS PRODUCT PACKED IN PLASTIC BOX.
- 5 UP TO 50 POSITIONS PRODUCT PACKED IN TUBE.
- 4 - TO DETERMINE DIMENSIONS:
N = NUMBER OF POSITIONS
EXAMPLE: 8 POS: (Nx2.54)-0.08=20.24 mm
- 5 - ROHS COMPATIBLE PRODUCT SPECIFICATIONS

d - PLATING:

- "LF" MEANS THE PRODUCT IS LEAD-FREE,
2µm MINIMUM MATTE TIN OVER 1.27µm
MINIMUM NICKEL UNDERPLATE.

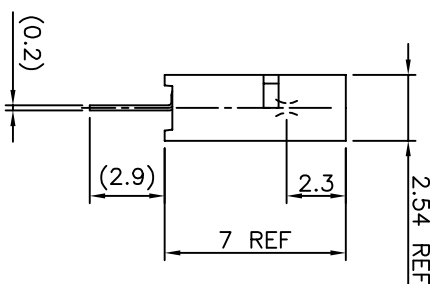
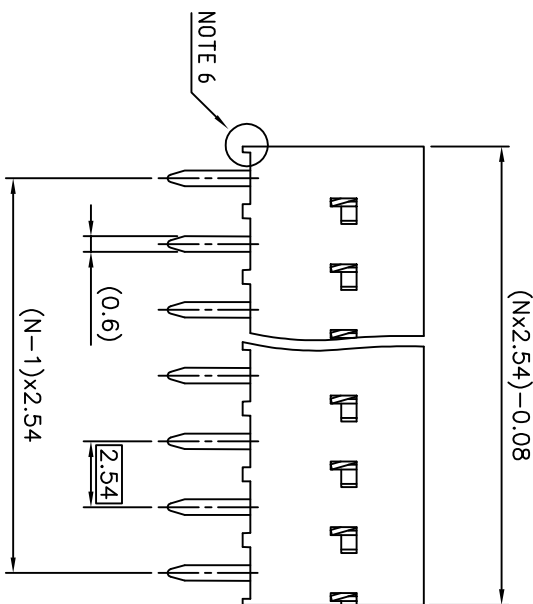
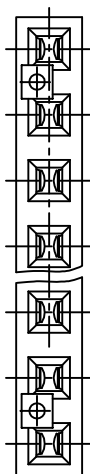
b - MANUFACTURING PROCESS COMPATIBILITY

- THE HOUSING WILL WITHSTAND EXPOSURE TO
260°C ±5°C SOLDER BATH TEMPERATURE FOR
5 SECONDS IN A WAVE SOLDER APPLICATION
WITH A 1.6mm MIN THICK CIRCUIT BOARD.

c - LABELING:

- MEETS PACKAGING SPECS AS PER GS-14-920
- d - LEGAL STATEMENT: SEE GS-47-0004

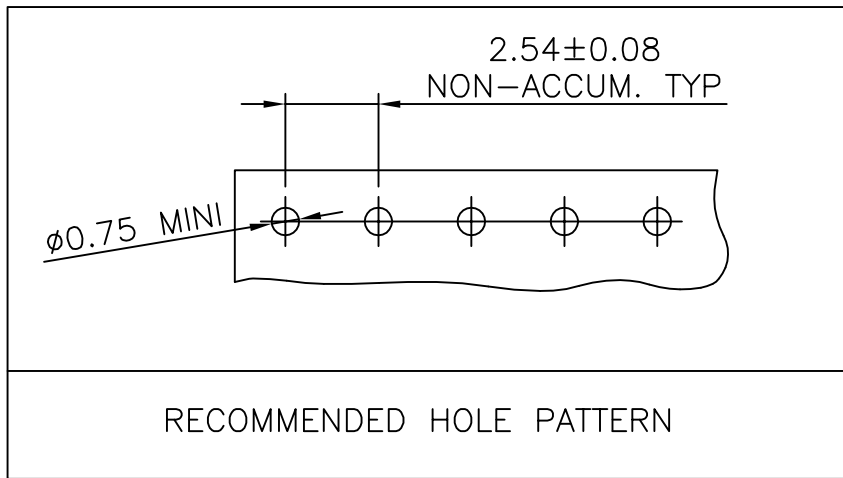
- 6 - END STAND-OFFS FOR 1x2 UP TO 1X5 POS
NO END STAND-OFFS FOR 1x6 UP TO 1x50 POS



| mat'l. code | | surface | | tolerance | | projection | | product family | | |
|-------------|----------|----------|----------|---------------------------------------|--------|------------|----------|----------------|--|--|
| SEE NOTES | | ISO 1302 | ISO 406 | ISO 1001 | mm | | DUBOX | | | |
| ltr | ecm no | dr | date | tolerances unless otherwise specified | angles | linear | ±0.3 | title | | |
| P | F11-004 | J00 | 12.02.22 | | | | | BtB RECEIPT. | | |
| R | B-19123 | LMU | 14.10.21 | | | | | VERT SR TMT | | |
| K | F10110 | G00 | 01.01.16 | dr | D | LEGRAND | 04.09.27 | dwg no | | |
| L | F03-0284 | DLE | 03.10.07 | engr | P | NIZZI | 04.09.27 | 76341 | | |
| M | F04-0347 | DLE | 04.09.27 | chr | D | LEGRAND | 04.09.27 | sheet 1 of 2 | | |
| N | F06-0204 | DLE | 06.06.20 | appr | P | NZ | 04.09.27 | A3 | | |
| sheet | revision | R | B | | | | | type | | |
| index | sheet | 1 | 2 | | | | | CUSTOMER | | |
| | | | | | | | | Drawing | | |

A

A



B

B



C

C

Copyright FCI

| | | | | | | | | | | | | | | |
|----------------------------|----------------|-----|----------|---|---------|-------------------------------|----------|----------------|-----------|-------------------------------------|-----------------|--|--------------------|--|
| mat'l. code SEE SHEET 1 | | | | surface ISO 1302 <input checked="" type="checkbox"/> | | tolerance ISO 406 ISO 1101 | | projection | | product family DUBOX | | | | |
| ltr | ecn no | dr | date | tolerances unless otherwise specified | | | | mm | | title BtB RECEPT. VERT SR TMT | | | | |
| A | F04-0347 | DLE | 04.09.27 | angles linear | ±0.3 | | | | scale 5:1 | | dwg no 76341 | | sheet 2 of 2 A4 | |
| B | F06-0204 | DLE | 06.06.20 | | | | | | | | | | | |
| | | | | ±2' | dr | D LEGRAND | 04.09.27 | | | type CUSTOMER Drawing | | | | |
| | | | | engr | P NIZZI | 04.09.27 | | | | | | | | |
| | | | | chr | D LE | 04.09.27 | | | | | | | | |
| | | | | appd | P NZ | 04.09.27 | | | | | | | | |
| sheet index | revision sheet | | | | | | | | | | | | | |

D

D