



Chipsmall Limited consists of a professional team with an average of over 10 year of expertise in the distribution of electronic components. Based in Hongkong, we have already established firm and mutual-benefit business relationships with customers from,Europe,America and south Asia,supplying obsolete and hard-to-find components to meet their specific needs.

With the principle of “Quality Parts,Customers Priority,Honest Operation,and Considerate Service”,our business mainly focus on the distribution of electronic components. Line cards we deal with include Microchip,ALPS,ROHM,Xilinx,Pulse,ON,Everlight and Freescale. Main products comprise IC,Modules,Potentiometer,IC Socket,Relay,Connector.Our parts cover such applications as commercial,industrial, and automotives areas.

We are looking forward to setting up business relationship with you and hope to provide you with the best service and solution. Let us make a better world for our industry!



Contact us

Tel: +86-755-8981 8866 Fax: +86-755-8427 6832

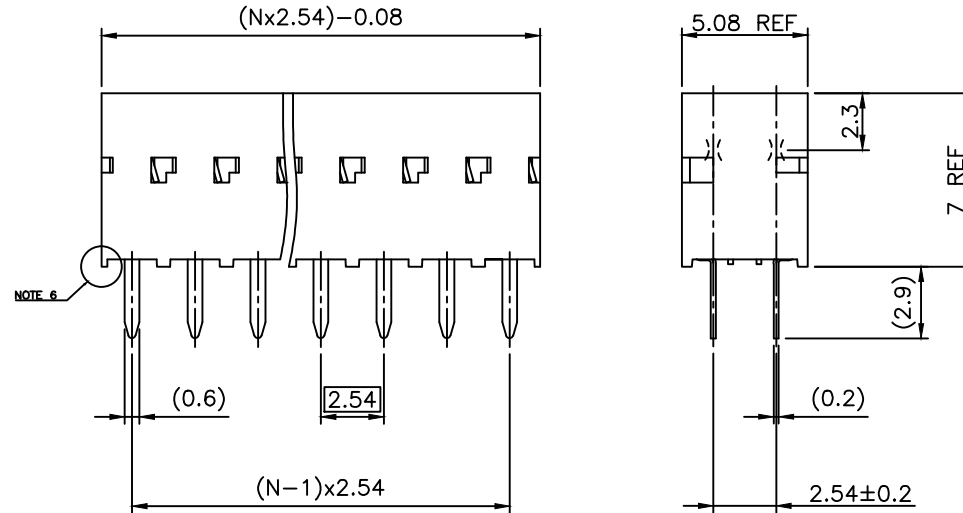
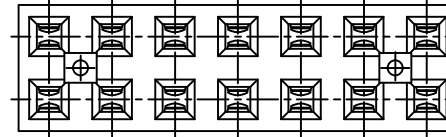
Email & Skype: info@chipsmall.com Web: www.chipsmall.com

Address: A1208, Overseas Decoration Building, #122 Zhenhua RD., Futian, Shenzhen, China



PRODUCT NUMBER
76342-YXXXLF

- RoHS COMPATIBLE, SEE NOTE 5
- OPTIONAL LETTER
- H: HIGH TEMPERATURE PRODUCT.
- C: PACKAGED IN SHORT TUBE.
- NUMBER OF POSITIONS PER ROW: 02 TO 50.
- PLATING CODE
- 3= 0.76µm GOLD ON CONTACT AREA.
2µm MIN MATTE TIN ON TAIL.
- 4= 2µm MIN MATTE TIN FULL PLATED
1.27µm Ni MIN UNDERPLATING



NOTES:

- 1 - HOUSING MAT'L: THERMOPLASTIC GLASS FILLED FLAME RETARDANT PER UL 94 V-0
LOW TEMPERATURE: COLOR BLUE
HIGH TEMPERATURE: COLOR GREY.
- 2 - TERMINAL MATERIAL: PHOSPHOR BRONZE.
- 3 - 2 UP TO 4 POSITIONS PRODUCT PACKED IN PLASTIC BOX.
5 UP TO 50 POSITIONS PRODUCT PACKED IN TUBE.
- 4 - TO DETERMINE DIMENSIONS:
N = NUMBER OF POSITIONS PER ROW
EXAMPLE: 8 POS: (N x 2.54) - 0.08 = 20.24 mm
- 5 - RoHS COMPATIBLE PRODUCT SPECIFICATIONS
 - a - PLATING:
- "LF" MEANS THE PRODUCT IS LEAD-FREE,
2µm MINIMUM MATTE TIN OVER 1.27µm
MINIMUM NICKEL UNDERPLATE.
 - b - MANUFACTURING PROCESS COMPATIBILITY
- THE HOUSING WILL WITHSTAND EXPOSURE TO
260°C ± 5°C SOLDER BATH TEMPERATURE FOR
5 SECONDS IN A WAVE SOLDER APPLICATION
WITH A 1.6mm MIN THICK CIRCUIT BOARD.
 - c - LABELING:
- MEETS PACKAGING SPECS AS PER GS-14-920
 - d - LEGAL STATEMENT: SEE GS-47-0004
- 6 - END STAND-OFFS FOR 2x2 UP TO 2x4 POS
NO END STAND-OFFS FOR 2x5 UP TO 2x50 POS

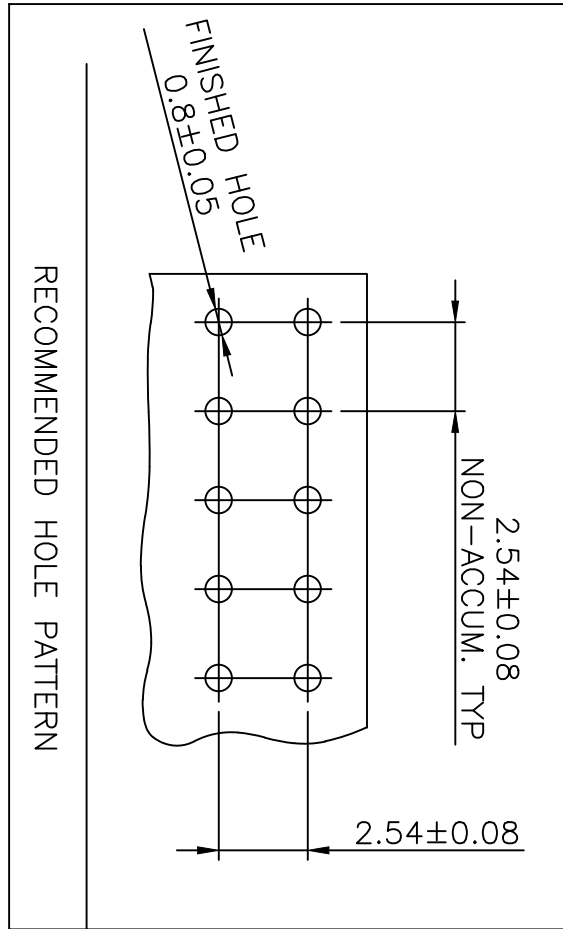


Copyright FCI

mat'l. code SEE NOTES 1 & 2		surface ISO 1302 ✓		tolerance ISO 406 ISO 1101		projection mm		product family DUBOX	
lfr ecn no dr date		tolerances unless otherwise specified		angles linear		scale 5:1		title BtB RECEPT. VERT DR TMT	
AA F-24429 AMA 16.07.01		±0.3		±2°				dwg no 76342	
U F06-0137 DLE 06.02.27								sheet 1 of 2 size A3	
V F06-0204 DLE 06.06.20		dr D LEGRAND 04.09.27		chr P NIZZI 04.09.27		FCI		type CUSTOMER Drawing	
W F11-0043 JCO 12.02.22		engr D LEGRAND 04.09.27		chr P NZ 04.09.27					
X B-19123 LMU 14.10.21		appd P NZ 04.09.27							
Y B-21211 AMA 15.06.22									
sheet index		revision sheet		AA C					
		1 2							



2



mat'l. code		surface		tolerance		projection		product family	
SEE SHEET 1		ISO 1302 ✓		ISO 406 ISO 1101		mm		DUBOX	
title		ISO 1302		tolerances unless otherwise specified		mm		title	
SEE SHEET 1		ISO 1302		tolerances unless otherwise specified		mm		BTB RECEIPT.	
Ltr		ecn no		dr		date		angles	
A		F04-0347		DLE		04.09.27		linear	
B		F06-0204		DLE		06.06.20		±0.3	
C		B-21211		AMA		15.06.22		#2	
sheet index		revision		sheet		sheet		sheet	
1		1		1		1		1	

form: A4

1

2