



Chipsmall Limited consists of a professional team with an average of over 10 year of expertise in the distribution of electronic components. Based in Hongkong, we have already established firm and mutual-benefit business relationships with customers from,Europe,America and south Asia,supplying obsolete and hard-to-find components to meet their specific needs.

With the principle of “Quality Parts,Customers Priority,Honest Operation,and Considerate Service”,our business mainly focus on the distribution of electronic components. Line cards we deal with include Microchip,ALPS,ROHM,Xilinx,Pulse,ON,Everlight and Freescale. Main products comprise IC,Modules,Potentiometer,IC Socket,Relay,Connector.Our parts cover such applications as commercial,industrial, and automotives areas.

We are looking forward to setting up business relationship with you and hope to provide you with the best service and solution. Let us make a better world for our industry!



Contact us

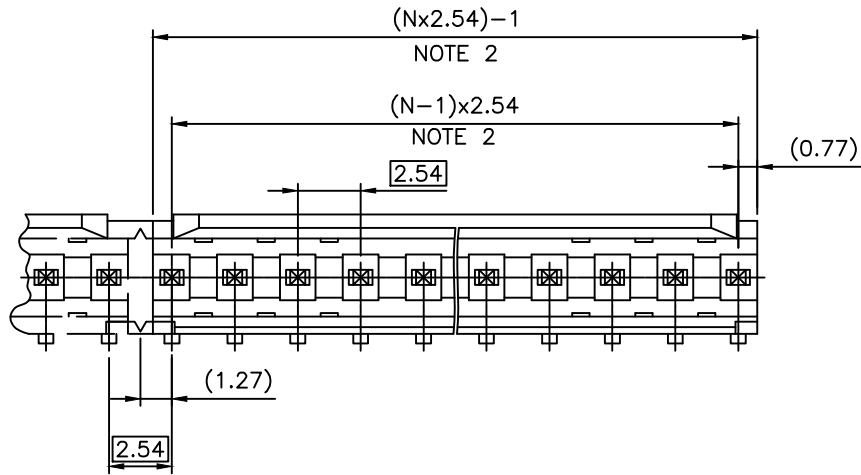
Tel: +86-755-8981 8866 Fax: +86-755-8427 6832

Email & Skype: info@chipsmall.com Web: www.chipsmall.com

Address: A1208, Overseas Decoration Building, #122 Zhenhua RD., Futian, Shenzhen, China

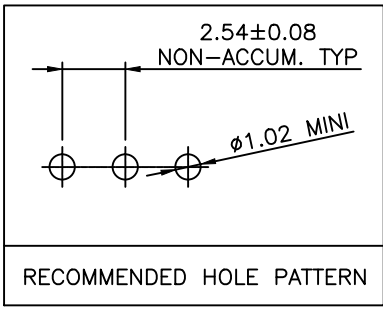
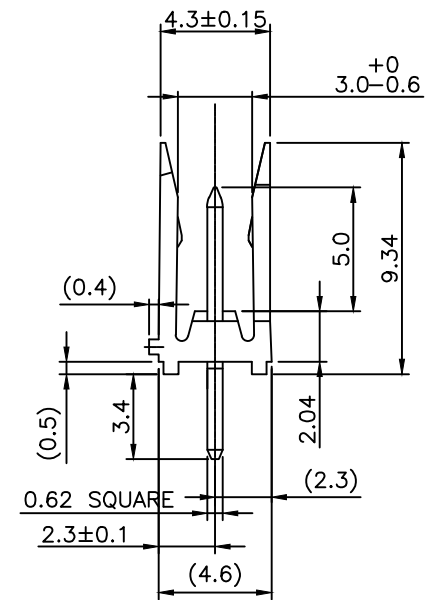
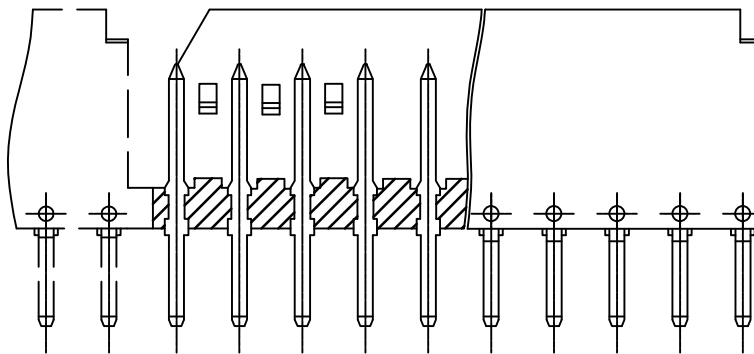


PRODUCT NUMBER
SEE SHEET 2



NOTES :

- MINI PUSH-OUT FORCE TERMINAL IN BOTH DIRECTIONS 22N.
- TO DETERMINE DIMENSIONS:
N = NUMBER OF POSITIONS PER ROW
EXAMPLE: 8 POS: $(N \times 2.54) - 1 = 19.32$ mm



mat'l. code	surface	tolerance	projection	product family
SEE NOTES	ISO 1302 ✓	ISO 406 ISO 1101		DUBOX
ltr	ecn no	dr	date	title
N	F06-0228	LMU	06.07.11	SHR. HEADER
P	F06-0319	LMU	06.11.10	STR SR TMT
R	F07-0147	LMU	07.03.01	
S	F07-0220	J.CO	07.06.14	
T	F08-0147	YOV	08.04.14	
U	B-19286	AMA	14.11.03	
V	B-21014	BVE	15.06.01	
sheet	revision	V	F	
index	sheet	1	2	

tolerance	projection	product family
ISO 406 ISO 1101		DUBOX
tolerances unless otherwise specified	mm	title
angles	Linear	SHR. HEADER
.X ±0.3	.XX ±0.15	STR SR TMT
.XXX ±0.05	scale 5:1	dwg no
		76384
		sheet 1 of 2
		size A3
		type CUSTOMER Drawing



Copyright FCJ

RoHs COMPLIANT PRODUCT NUMBER

76384-YXXLF

PLATING CODE _____

RoHs COMPLIANT, SEE NOTE 5

3= 0.76µm GOLD/GXT ON CONTACT AREA.

2µm MIN MATTE TIN ON TAIL.

4= 2µm MIN MATTE TIN FULL PLATED

NUMBER OF POSITIONS: 02 TO 18

1.27µm Ni MIN UNDERPLATING

NOTES:

- 1 - HOUSING MAT'L: THERMOPLASTIC GLASS FILLED
FLAME RETARDANT PER UL 94 V-O COLOR: BLACK.
- 2 - TERMINAL MATERIAL: COPPER ALLOY.
- 3 - 2 UP TO 6 POSITIONS, PRODUCT PACKED IN PLASTIC BAG.
7 UP TO 18 POSITIONS, PRODUCT PACKED IN TUBE.
- 4 - ONLY DASH NUMBER -X02 AND -X03
ALWAYS TEN (10) PRODUCTS MOLDED ASSEMBLY
& DELIVERED ON STRIP ACCORDING PHANTOM LINES.
- 5 - RoHS COMPATIBLE PRODUCT SPECIFICATIONS
 - a - PLATING:
 - "LF" MEANS THE PRODUCT IS LEAD-FREE,
2µm MINIMUM MATTE TIN OVER 1.27µm
MINIMUM NICKEL UNDERPLATE.
 - b - MANUFACTURING PROCESS COMPATIBILITY
 - THE HOUSING WILL WITHSTAND EXPOSURE TO
260°C ±5°C SOLDER BATH TEMPERATURE FOR
5 SECONDS IN A WAVE SOLDER APPLICATION
WITH A 1.6mm MIN THICK CIRCUIT BOARD.
 - c - LABELING:
 - MEETS PACKAGING SPECS AS PER GS-14-920
 - d - LEGAL STATEMENT: SEE GS-47-0004

mat'l. code		surface		tolerance		projection		product family	
SEE NOTES		ISO 1302 ✓		ISO 406 ISO 1101				DUBOX	
ltr	ecn no	dr	date	tolerances unless otherwise specified				title	
A	F05-0159	LMU	05.03.31	angles	linear	.X	±0.3	SHR. HEADER	
B	F06-0228	LMU	06.07.11			.XX	±0.15	STR SR TMT	
C	F07-0147	LMU	07.03.01			.XXX	±0.05	scale 5:1	
D	F07-0220	JCO	07.06.14	dr	L.MULIN		05.03.25	dwg no	
E	F08-0147	YOV	08.04.14	engr	J.COMPAGNON		05.03.25	sheet 2 of	
F	B-19286	AMA	14.11.03	chr				76384	
				appd	JM.C		05.03.25	size	
								A3	
sheet		revision		type		CUSTOMER Drawing			
index	sheet								