



Chipsmall Limited consists of a professional team with an average of over 10 year of expertise in the distribution of electronic components. Based in Hongkong, we have already established firm and mutual-benefit business relationships with customers from,Europe,America and south Asia,supplying obsolete and hard-to-find components to meet their specific needs.

With the principle of “Quality Parts,Customers Priority,Honest Operation,and Considerate Service”,our business mainly focus on the distribution of electronic components. Line cards we deal with include Microchip,ALPS,ROHM,Xilinx,Pulse,ON,Everlight and Freescale. Main products comprise IC,Modules,Potentiometer,IC Socket,Relay,Connector.Our parts cover such applications as commercial,industrial, and automotives areas.

We are looking forward to setting up business relationship with you and hope to provide you with the best service and solution. Let us make a better world for our industry!



Contact us

Tel: +86-755-8981 8866 Fax: +86-755-8427 6832

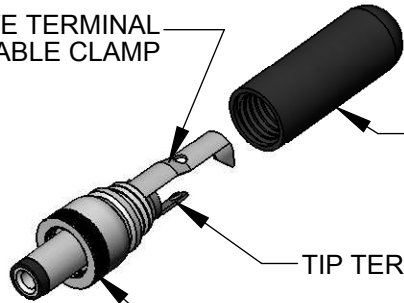
Email & Skype: info@chipsmall.com Web: www.chipsmall.com

Address: A1208, Overseas Decoration Building, #122 Zhenhua RD., Futian, Shenzhen, China



PART NUMBER	HANDLE COLOR
760K	BLACK
765K	RED

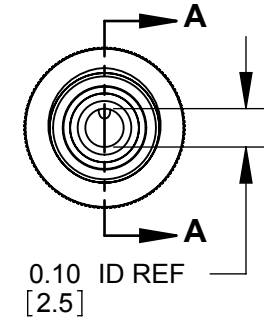
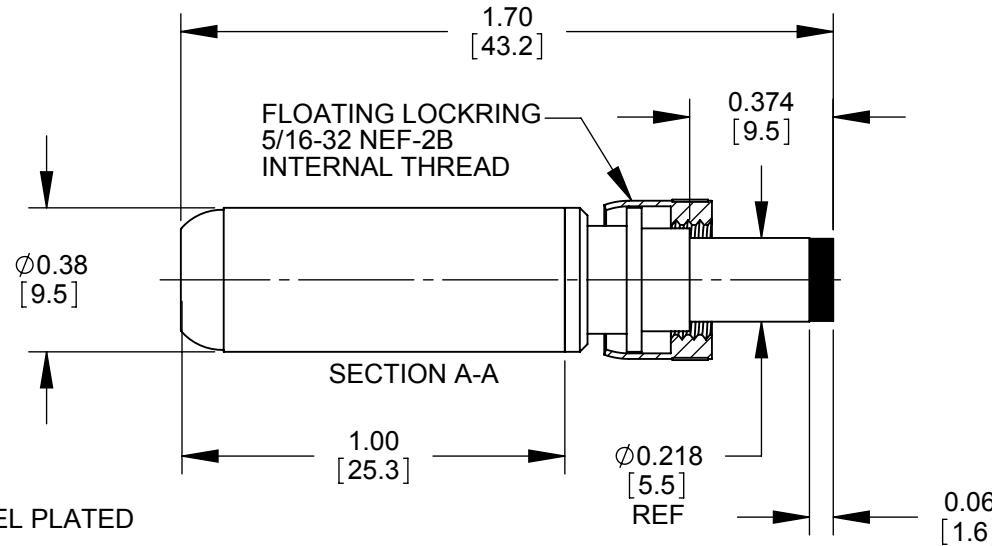
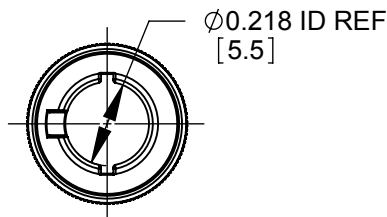
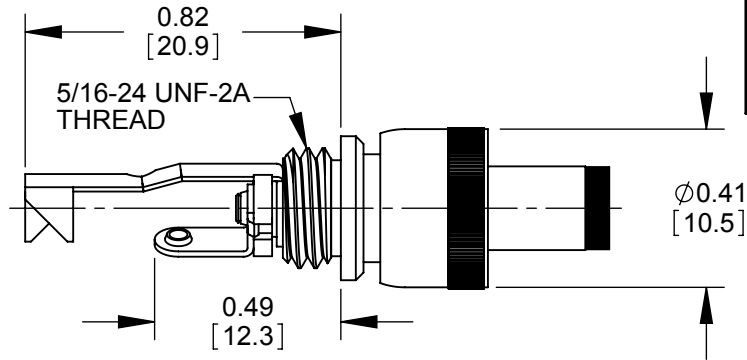
SLEEVE TERMINAL
CABLE CLAMP



HANDLE
SHIPPED
UNASSEMBLED

TIP TERMINAL

COUPLING RING



NOTES:

- MATERIALS:
CONDUCTORS, LOCKRING - BRASS, NICKEL PLATED
TERMINALS - BRASS, TIN PLATED
INSULATORS, HANDLE - THERMOPLASTIC
- THIS PRODUCT IS RoHS COMPLIANT

CUSTOMER DRAWING

					THIS DRAWING DESCRIBES A DESIGN CONSIDERED PROPRIETARY IN NATURE, DEVELOPED AND MANUFACTURED BY SWITCHCRAFT INC. AND IS RELEASED ON A CONFIDENTIAL BASIS FOR IDENTIFICATION PURPOSES ONLY.					
UNLESS OTHERWISE SPECIFIED 1. ALL DIMENSIONS IN INCHES - TWO PLACE DECIMALS ±0.02 - THREE PLACE DECIMALS ±0.005					SIZE	WIDTH	MULT	LBS/M	TEMPER	
					FINISH			MATERIAL		
					SPEC No.			SPEC No.		
					FIRST USED ON			SCALE		
C	25989	11-13-08	JEB	TJK	3-31-09	JEB	3-31-09	3-31-09	3-31-09	
REV	ECO NUMBER	DATE	BY	APVD	NAME Ø 0.10 [2.5]mm x 0.374 LONG POWER PLUG W/LOCKRING, RoHS				PART No.	REV
REVISIONS					DO NOT SCALE DRAWING					
					Switchcraft® SHEET 1 OF 1 760K-765K C					

SolidWorks CAD File

