



Chipsmall Limited consists of a professional team with an average of over 10 year of expertise in the distribution of electronic components. Based in Hongkong, we have already established firm and mutual-benefit business relationships with customers from,Europe,America and south Asia,supplying obsolete and hard-to-find components to meet their specific needs.

With the principle of "Quality Parts,Customers Priority,Honest Operation,and Considerate Service",our business mainly focus on the distribution of electronic components. Line cards we deal with include Microchip,ALPS,ROHM,Xilinx,Pulse,ON,Everlight and Freescale. Main products comprise IC,Modules,Potentiometer,IC Socket,Relay,Connector.Our parts cover such applications as commercial,industrial, and automotives areas.

We are looking forward to setting up business relationship with you and hope to provide you with the best service and solution. Let us make a better world for our industry!



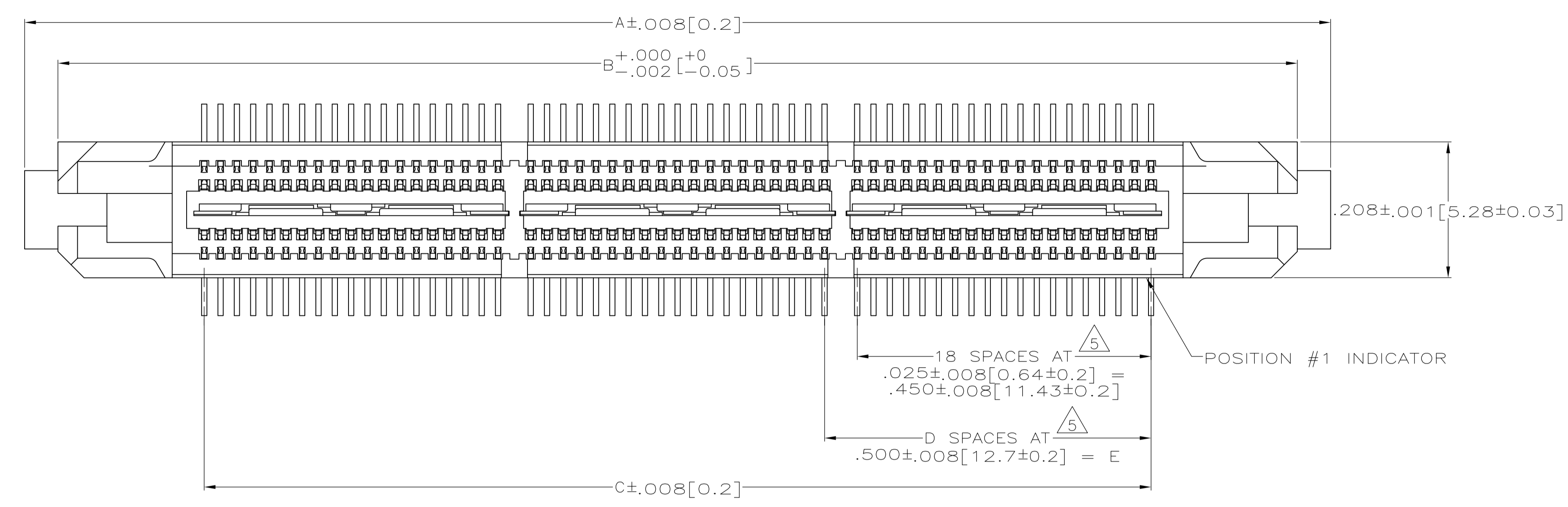
Contact us

Tel: +86-755-8981 8866 Fax: +86-755-8427 6832

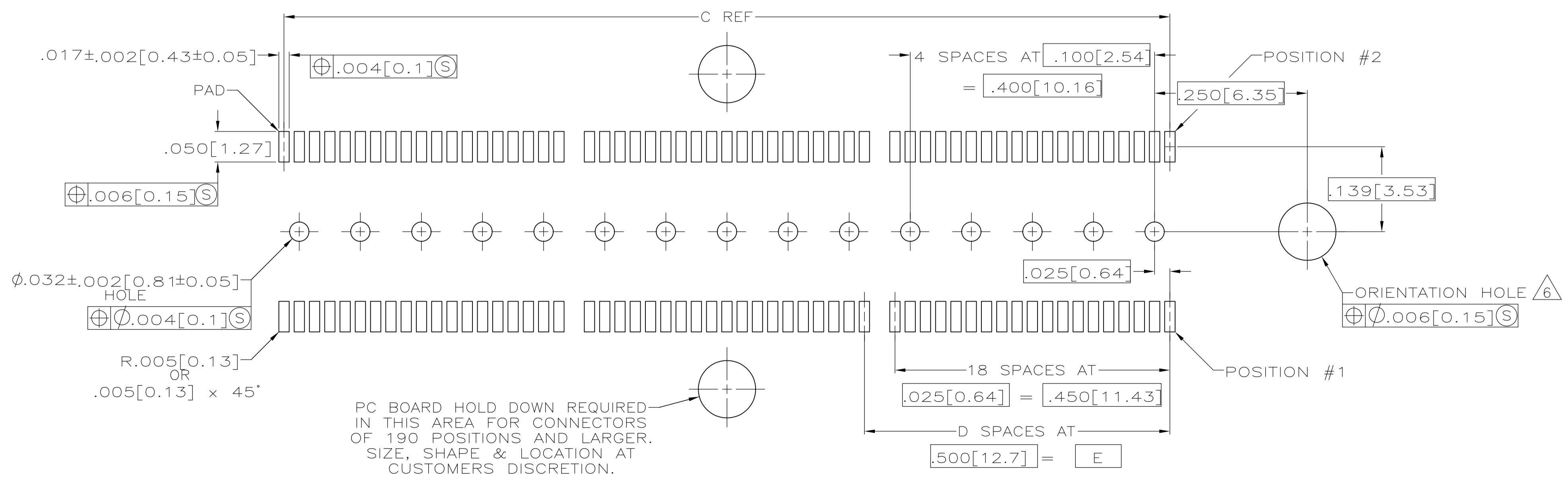
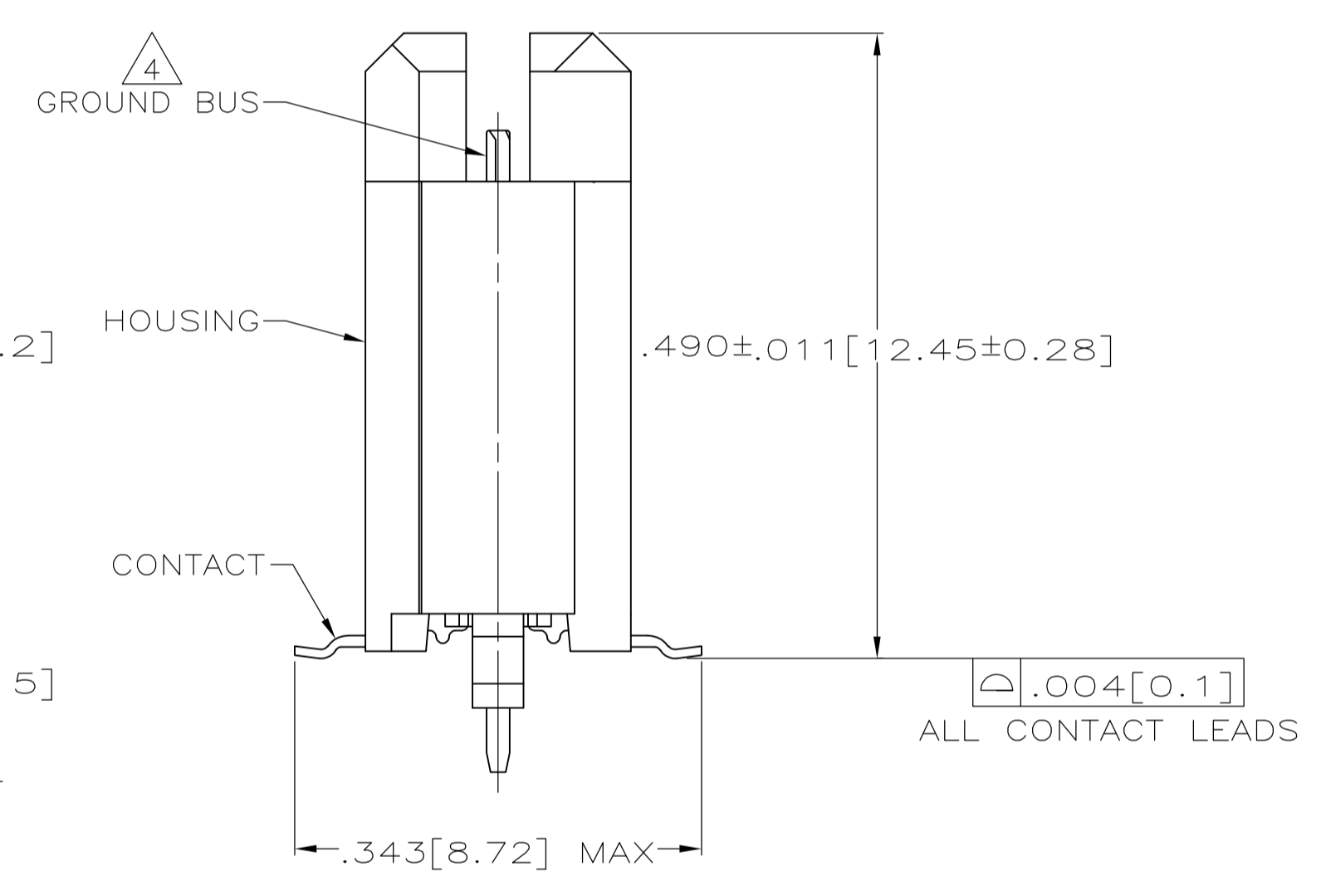
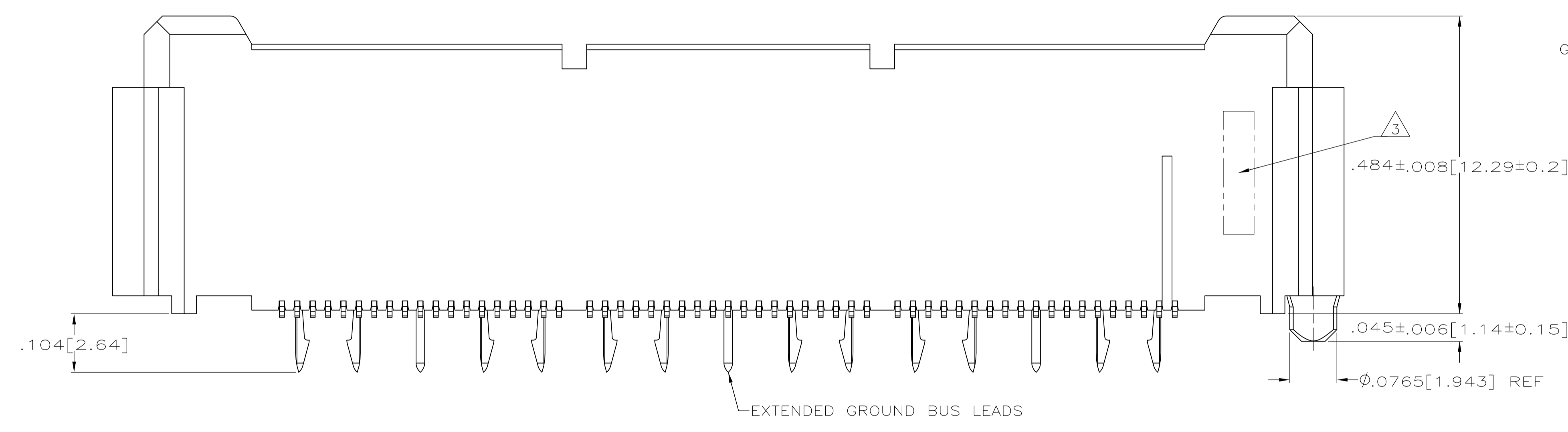
Email & Skype: info@chipsmall.com Web: www.chipsmall.com

Address: A1208, Overseas Decoration Building, #122 Zhenhua RD., Futian, Shenzhen, China





- 1 HOUSING: LIQUID CRYSTAL POLYMER, COLOR BLACK.
CONTACTS: HIGH RELIABILITY COPPER ALLOY.
GROUND BUSES: BRASS, UNS C26000
- 2 CONTACTS & GROUND BUSES: NICKEL UNDERPLATE ALL OVER, MATING SURFACE PLATED TO MEET LEVEL 2 PERFORMANCE REQUIREMENTS OF TE PRODUCT SPECIFICATION 108-1422, SOLDER TAILS PLATED TIN-LEAD.
- 3 DATE CODE MARKED IN AREA INDICATED ON SAME SIDE AS POSITION #1.
- 4 ONE GROUND BUS WITH 5 TAILS PER EACH MODULE.
- 5 TOLERANCE NON-ACCUMULATIVE.
- 6 FOR STANDARD APPLICATIONS, ORIENTATION HOLE TO BE $\phi .094 \pm .002 [2.39 \pm 0.05]$.
FOR SLIP-FIT APPLICATIONS, ORIENTATION HOLE TO BE $\phi .079 \pm .001 [2.00 \pm 0.03]$.



RECOMMENDED PC BOARD LAYOUT (VIEWED FROM CONNECTOR SIDE)

3,000 [76.2]	6	3,450 [87.63]	3,898 [99]	4,000 [101.6]	266	767057-7
2,500 [63.5]	5	2,950 [74.93]	3,398 [86.31]	3,500 [88.9]	228	767057-6
2,000 [50.8]	4	2,450 [62.23]	2,898 [73.61]	3,000 [76.2]	190	767057-5
1,500 [38.1]	3	1,950 [49.53]	2,398 [60.91]	2,500 [63.5]	152	767057-4
1,000 [25.4]	2	1,450 [36.83]	1,898 [48.21]	2,000 [50.8]	114	767057-3
.500 [12.7]	1	.950 [24.13]	1,398 [35.51]	1,500 [38.1]	76	767057-2
.000 [0]	0	.450 [11.43]	.898 [22.81]	1,000 [25.4]	38	767057-1
E	D	C	B	A	NO OF POS	PART NUMBER

THIS DRAWING IS A CONTROLLED DOCUMENT.		DIN J.GERACE 23AUG96	STE TE Connectivity
DIMENSIONS: INCHES[mm]		CIK P.MATAR 23AUG96	
TOLERANCES UNLESS OTHERWISE SPECIFIED:		APVD A.MONK 23AUG96	NAME
0 PLC ± -	1 PLC ± -	PLUG ASSEMBLY, .495 [12.57] VERTICAL, .025 [0.64] CL, GULL WING LEADS, MICTOR	
2 PLC ± -	3 PLC ± .005 (0.13)	APPLICATION SPEC 108-1422	
4 PLC ± -	ANGLES ± -	SIZE CAGE CODE DRAWING NO RESTRICTED TO	
MATERIAL 1 FINISH 2		114-11004	
WEIGHT		A1 00779 ©=767057	
CUSTOMER DRAWING		SCALE 8:1 SHEET 1 OF 1 REV S1	