



Chipsmall Limited consists of a professional team with an average of over 10 year of expertise in the distribution of electronic components. Based in Hongkong, we have already established firm and mutual-benefit business relationships with customers from,Europe,America and south Asia,supplying obsolete and hard-to-find components to meet their specific needs.

With the principle of "Quality Parts,Customers Priority,Honest Operation,and Considerate Service",our business mainly focus on the distribution of electronic components. Line cards we deal with include Microchip,ALPS,ROHM,Xilinx,Pulse,ON,Everlight and Freescale. Main products comprise IC,Modules,Potentiometer,IC Socket,Relay,Connector.Our parts cover such applications as commercial,industrial, and automotives areas.

We are looking forward to setting up business relationship with you and hope to provide you with the best service and solution. Let us make a better world for our industry!



Contact us

Tel: +86-755-8981 8866 Fax: +86-755-8427 6832

Email & Skype: info@chipsmall.com Web: www.chipsmall.com

Address: A1208, Overseas Decoration Building, #122 Zhenhua RD., Futian, Shenzhen, China



PRODUCT NUMBER
76745-YXX-XXLF

- RoHS COMPATIBLE, SEE NOTE 8
- TOTAL NB OF POS (04 TO 72 POS)
- OPTION LETTER, SEE NOTE 6
- PIN STYLE

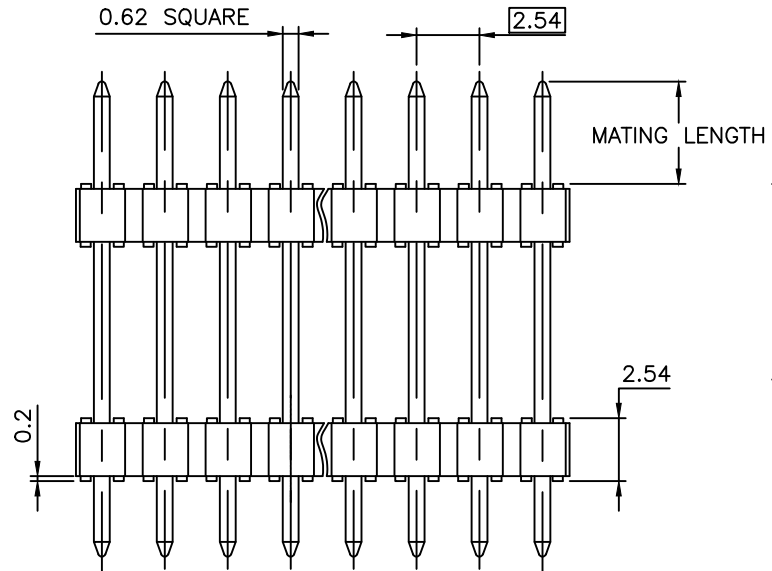
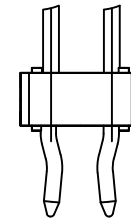
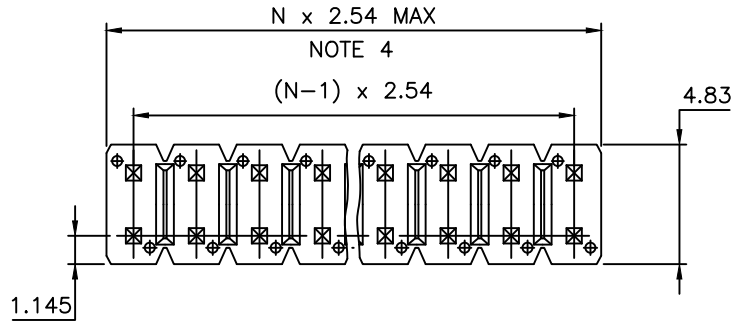
- PLATING
- 1 = 0.76µm GOLD/GXT,
 - 3 = 2µm MIN MATTE TIN FULL PLATED
 - 5 / 8 = 0.38µm GOLD/GXT
- 1.27µm Ni MIN UNDERPLATING

NOTES:

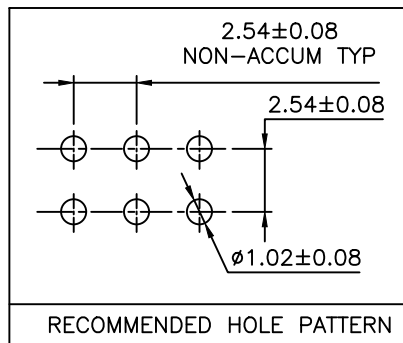
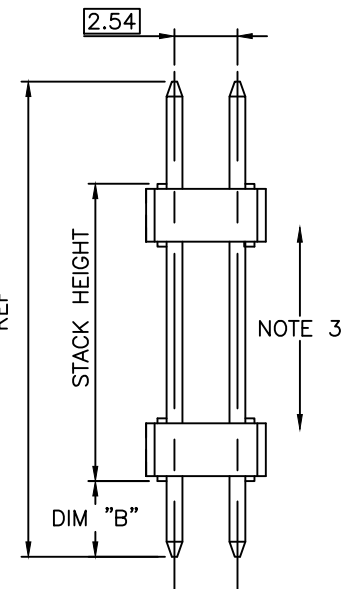
1. HOUSING MAT'L : HIGH TEMPERATURE THERMOPLASTIC. UL94V-0 COLOR: BLACK.
2. PIN MATERIAL : PHOSPHOR BRONZE.
3. 12N MIN RETENTION IN EITHER DIRECTION.
4. TO DETERMINE DIMENSIONS :
N = NUMBER OF POSITIONS PER ROW
EXAMPLE : 8 POS PER ROW, N x 2.54 = 20.32mm
5. FOR STANDARD SELECTIVE GOLD PLATED PRODUCTS SEE DRAWINGS 54111 & 54121.
6. OPTION LETTER :
- = STANDARD PACKAGING IN POLYBAG
V = POLYBAGS PACKAGING FOR CUSTOMER DEDICATED PART
B = TUBE WITH PICK UP CAP AS AVAILABLE
7. RETENTION IS APPLIED TO TWO ADJACENT PINS AT EACH END OF THE PRODUCT SEE SCHEMA 1
OMIT FROM PRODUCT NUMBER IF THIS FEATURE IS NOT APPLICABLE

8. RoHS COMPATIBLE PRODUCT SPECIFICATIONS

- a - PLATING:
- "LF" MEANS THE PRODUCT IS LEAD-FREE, 2µm MINIMUM MATTE TIN OVER 1.27µm MINIMUM NICKEL UNDERPLATE.
- b - MANUFACTURING PROCESS COMPATIBILITY
- THE HOUSING WILL WITHSTAND EXPOSURE TO 260°C ±5°C SOLDER BATH TEMPERATURE FOR WITH A 1.6mm MIN THICK CIRCUIT BOARD.
- c - LABELING:
- MEETS PACKAGING SPECS AS PER GS-14-920
- d - LEGAL STATEMENT: SEE GS-47-0004



OAL (OVERALL LENGTH) REF



mat'l. code		surface		tolerance		projection		product family	
SEE NOTES		ISO 1302		ISO 406 ISO 1101		mm		BSTIK	
lfr	ecn no	dr	date	tolerances unless otherwise specified		mm		title	
FF	B-19782	AMA	14.12.18	angles	xx ±0.3	mm		HEADER STR,DR	
FG	B-20322	AMA	15.01.27	Linear	xx ±0.13	mm		DOUBLE BODY	
FH	F-22479	BVE	15.11.12		xxx ±0.05	scale 5:1		dwg no	
FK	F-28617	DDE	17.11.27	dr	NIZZI P	94.05.05		sheet 1 of 4 size	
				engr	COMPAGNON J	95.12.05		76745 A3	
FD	B-19264	LMU	14.11.03	chr				type	
FE	B-19345	LMU	14.11.07	appd	JMC	95.12.05		CUSTOMER Drawing	
sheet	revision	FK	CC	F	A				
index	sheet	1	2	3	4				

APPLICATION SPECIFIC				
PIN STYLE	MATING LENGTH ±0.2	STACK HEIGHT ±0.25	"B" ±0.25	("OAL") REF
01	8.71	19.76	2.65	31.12
02	6.87	16.5	3.05	26.42
03	6.87	13.0	3.63	23.5
04	5.6	6.5	2.88	14.98
05	5.51	8.0	3.05	16.56
06	6.61	11.3	3.05	20.96
07	5.58	10.3	2.54	18.42
08	5.81	7.7	3.05	16.56
09	5.72	5.08	2.54	13.34
10	6.9	10.45	2.71	20.06
11	11.2	9.5	2.8	23.5
13	9.07	6.3	3.05	18.42
14	5.33	21.5	2.48	29.31
17	7.5	23.45	3.05	34.0
19	9.5	10.45	3.55	23.5
21	11.96	18.5	3.2	33.66
23	9.0	25.9	3.05	37.95
24	8.87	14.5	3.05	26.42
25	9.84	11.43	9.85	31.12
28	6.6	8.25	2.8	17.65
29	9.1	15.7	3.2	28.0
34	8.0	12.0	3.0	23.0
36	10.55	7.5	10.53	28.58
40	7.0	6.5	3.06	16.56
55	13.0	20.0	3.2	36.2
57	11.78	5.08	3.23	20.06
58	23.0	8.5	5.5	36.97
59	9.0	18.2	9.0	36.2
62	9.2	9.3	3.5	22.0
68	6.75	8.0	2.9	17.65
71	6.8	5.2	2.69	14.69
79	9.95	39.0	3.05	52.0
80	5.68	7.0	2.3	15.0
88	10.8	8.0	3.7	22.5
AN	10.0	29.0	3.0	42.0
BD	11.7	13.5	3.21	28.41
BM	11.5	11.5	3.04	26.04
BT	8.5	35.0	8.5	52.0
CB	9.0	30.0	3.0	42.0
CD	9.24	12.0	9.24	30.48

SEE SHEET 3

APPLICATION SPECIFIC				
PIN STYLE	MATING LENGTH ±0.2	STACK HEIGHT ±0.25	"B" ±0.25	("OAL") REF
CF	8.25	16.0	8.25	32.5
CG	6.0	40.0	6.0	52.0
CH	11.02	12.0	3.02	26.04
CN	7.08	5.60	7.08	19.77
CP	9.50	7.00	2.41	18.91
CT	11.0	6.0	11.0	28.0
CU	9.75	13.0	9.75	32.5
CV	9.44	13.00	3.60	26.04
CW	5.00	36.00	5.00	46.00
CX	10.00	26.00	6.00	42.00
CY	10.9	18.20	10.9	40.00
CZ	5.5	23.00	5.50	34.00
DA	13.00	14.50	6.50	34.00
DB	12.75	8.50	12.75	34.00
DC	SEE SHEET 3			
DE	6.00	34.00	6.00	46.00
DF	9.12	7.80	9.12	26.04
DG	3.50	43.00	3.50	50.00
DH	6.50	8.00	6.50	21.00
DJ	5.80	17.75	5.80	29.31
DK	5.40	9.00	2.90	17.30
DL	9.00	8.50	6.00	23.50
DM	7.40	23.70	3.30	34.40
DN	7.40	12.10	3.30	22.80
DP	8.00	16.80	5.40	30.20
DR	6.40	15.00	6.40	27.80
DS	7.00	29.00	7.00	43.00
DT	9.80	27.40	9.80	47.00
DU	9.50	36.50	9.50	55.50
DV	9.30	6.30	5.80	22.00
DW	5.30	40.40	3.30	49.00

SEE SHEET 3

SEE SHEET 3

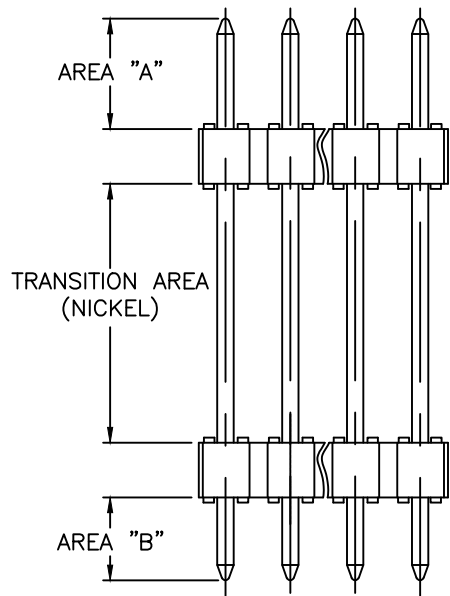
SEE SHEET 3

APPLICATION SPECIFIC				
PIN STYLE	MATING LENGTH ±0.2	STACK HEIGHT ±0.25	"B" ±0.25	("OAL") REF
DX	6.50	12.50	6.50	25.50
DY	6.50	9.50	6.50	22.50
EA	6.65	32.30	3.05	42.00
EB	2.66	15.00	5.84	23.50
EC	10.00	39.60	2.40	52.00
ED	5.40	57.20	2.40	65.00
EF	5.84	46.50	3.05	55.40
EG	5.60	20.00	5.64	31.24
EH	4.60	15.00	1.50	21.10
EJ	9.26	5.08	9.26	23.60
EK	6.00	7.50	6.00	19.50
EL	6.00	12.30	4.10	22.40
EM	9.00	9.30	6.21	24.51
EN	5.75	26.90	5.75	38.40

mat'l. code		surface		tolerance		projection		product family	
		ISO 1302 ✓		ISO 406 ISO 1101				BSTIK	
ltr ecn no dr date		tolerances unless otherwise specified				mm		title	
CB B-20322 AMA 15.01.27		angles		linear				HEADER STR,DR	
CC F-28617 DDE 17.11.27								DOUBLE BODY	
BW F11-0045 LMU 11.04.04		dr		COMPAGNON J		94.05.05		dwg no	
BX F12-0090 JFA 12.12.07		enr		JMC		95.08.28		sheet 2 of 4 size	
BY B-16665 LMU 14.01.06		chr						76745 A3	
CA B-1345 LMU 14.11.07		appd		JMC		95.08.28		type CUSTOMER Drawing	
sheet index		revision sheet							



Copyright FCI



SPECIFICS PLATING AREA FOR PART NUMBERS :

- P/N 76745-1CH-10LF
- P/N 76745-1CH-18LF
- P/N 76745-579R24LF
- P/N 76745-579R30LF
- P/N 76745-1CU-20LF
- P/N 76745-1DF-26LF

AREA "A" & "B" : GOLD/GXT PLATING AREA



Copyright FCI

mat'l. code		surface		tolerance		projection		product family	
		ISO 1302		ISO 406 ISO 1101				BSTIK	
ltr	ecn no	dr	date	tolerances unless otherwise specified				title	
A	F06-110	LMU	06.01.26	angles	Linear	mm		HEADER STR,DR	
B	F06-0196	LMU	06.06.20					DOUBLE BODY	
C	F07-0266	J.CO	07.10.15			scale		dwg no	
D	F12-0023	LMU	12.06.06	dr	L.MULIN	06.01.31	sheet 3 of 4		size
E	F12-0090	JFA	12.12.07	enrg	J.COMPAGNON	06.01.31	76745		A3
F	B-16665	LMU	14..01.06	chr			type		Drawing
				appd	JMC	06.01.31	CUSTOMER		
sheet	revision								
index	sheet								

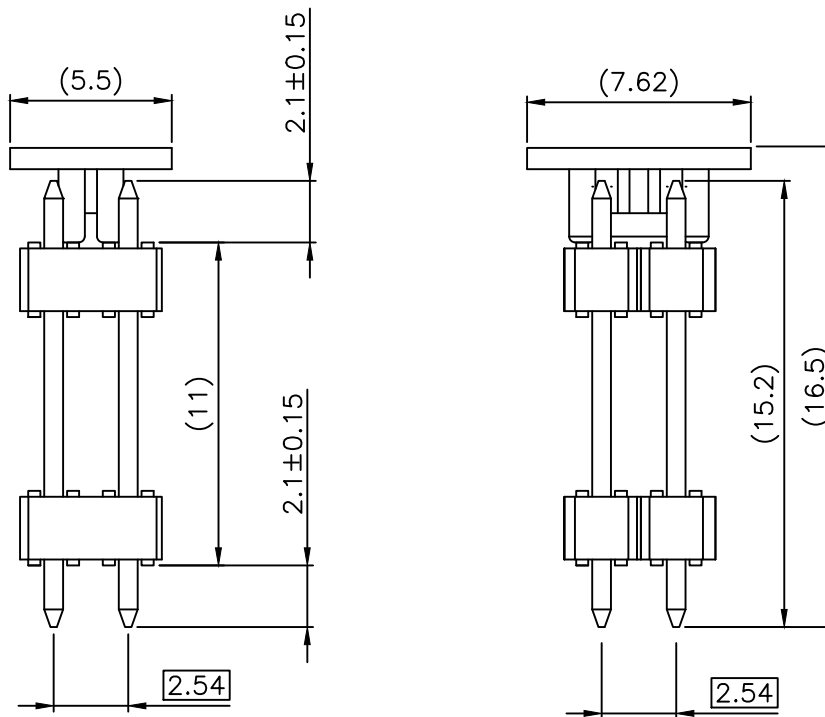
SPECIFIC PRODUCT NUMBER

76745-3DCA04LF

- RoHs COMPLIANT
- TOTAL NB OF POS
- PACKAGING TYPE, SEE NOTE 1
- PIN STYLE
- PLATING
3 = 2µm MATTE TIN
OVER 1.27µm Ni MIN

NOTES :

1. PACKAGING : A = TAPE & REEL PACKAGING
WITH PICK UP CAP INSTALLED
SEE TA 840
2. PRODUCT COMPATIBLE WITH REFLOW PROCESS.
255°C PEAK TEMPERATURE 10-40 SECONDES IN
A CONVECTION, INFRA-RED OR VAPOR PHASE



FCIconnect.com

Copyright FCI

mat'l. code		surface		tolerance		projection		product family	
		ISO 1302 ✓		ISO 406 ISO 1101				BSTIK	
ltr	ecn no	dr	date	tolerances unless otherwise specified					
A	B-16665	LMU	14.01.06						
				angles		linear		mm	
								scale	
				dr		L.MULIN		13.02.18	
				enrg		J.COMPAGNON		13.02.18	
				chr					
				appd		JMC		13.02.18	
sheet index		revision sheet							



title
HEADER STR,DR
DOUBLE BODY

dwg no
76745

sheet 4 of 4 size
A3

type
CUSTOMER Drawing