



Chipsmall Limited consists of a professional team with an average of over 10 year of expertise in the distribution of electronic components. Based in Hongkong, we have already established firm and mutual-benefit business relationships with customers from,Europe,America and south Asia,supplying obsolete and hard-to-find components to meet their specific needs.

With the principle of “Quality Parts,Customers Priority,Honest Operation,and Considerate Service”,our business mainly focus on the distribution of electronic components. Line cards we deal with include Microchip,ALPS,ROHM,Xilinx,Pulse,ON,Everlight and Freescale. Main products comprise IC,Modules,Potentiometer,IC Socket,Relay,Connector.Our parts cover such applications as commercial,industrial, and automotives areas.

We are looking forward to setting up business relationship with you and hope to provide you with the best service and solution. Let us make a better world for our industry!



Contact us

Tel: +86-755-8981 8866 Fax: +86-755-8427 6832

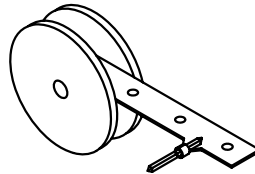
Email & Skype: info@chipsmall.com Web: www.chipsmall.com

Address: A1208, Overseas Decoration Building, #122 Zhenhua RD., Futian, Shenzhen, China



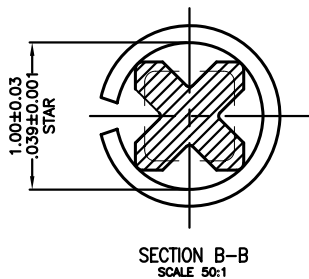
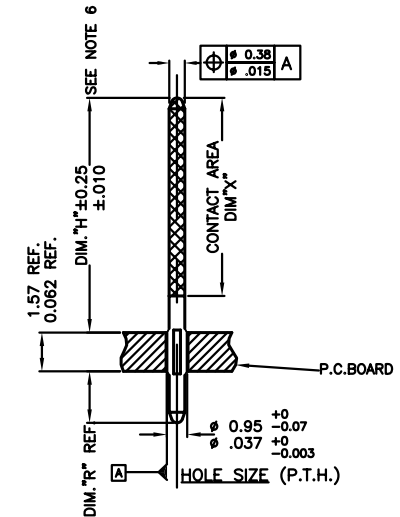
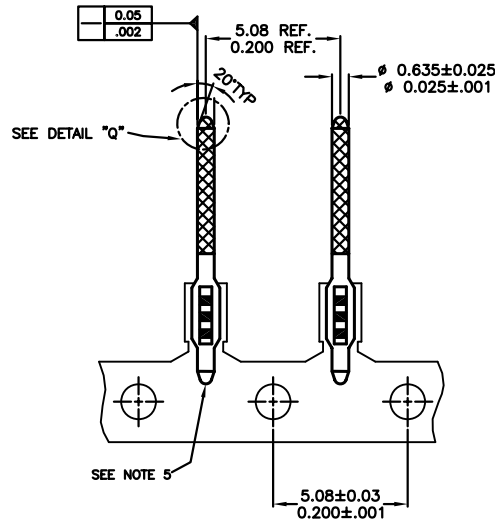
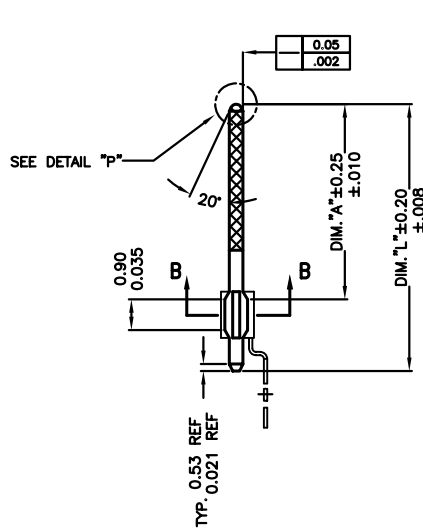
PRODUCT NUMBER	DIM"A"	DIM"L"	DIM"H"	DIM"R"	DIM"X"	PLATING CONTACT AREA	PLATING REMAINDER OF PIN
76772-101	6.28/.247	8.76/.345	5.97/.235	1.22/.048	5.30/.209	1.27µm/50µ" Au OVER 1.27µm/50µ" Ni	0.2µm/8µ" Au OVER 1.27µm/50µ" Ni
76772-101LF	6.28/.247	8.76/.345	5.97/.235	1.22/.048	5.30/.209	1.27µm/50µ" Au OVER 1.27µm/50µ" Ni	0.2µm/8µ" AU OVER 1.27µm/50µ" Ni

REELING PRODUCT TO CUSTOMER

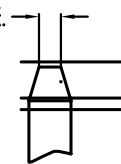


NOTES:

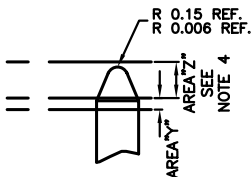
- BURNISH MARKS PERMITTED ON PIN.
- BASE MATERIAL PIN: 3/4 HARD PHOSPER BRONZE A.S.T.M. B-159-66.
- CARRIER STRIP MATERIAL: 1/2 HARD BRASS A.S.T.M. B-36-67 ALLOY 260.
- MAX. BURRS PERMITTED IN AREA "Y" IS 0.01/0.04 OVER AREA "Z" 0.04/0.016.
- PIN TIP NOT PLATED ON THIS SIDE.
- WITH THE EXCEPTION OF STAR AREA. RADIUS AT 4 PIN CORNERS MAX. 0.05/0.002.
- PART NUMBERS WITH A LF SUFFIX MEET EUROPEAN UNION DIRECTIVES AND OTHER COUNTRY REGULATIONS AS DESCRIBED IN GS-22-008.



TYP. 0.25 MAX. 0.010 MAX.



DETAIL P SCALE 50:1



DETAIL Q SCALE 50:1

mat'l. code		surface		tolerance		projection		product family		
NOTE 2 & 3		ISO 902		ISO 406 ISO 1101		mm/inch		PIN PRODUCTS		
ltr	ecm no	dr	date	tolerances unless otherwise specified				title		
F	v05-1138	VS	2/23/06	angles	linear	.X±.3/.XX±.01 .00±.13/.000±.005 .000±.051/.000±.002		SELECTIVE PLATED BERG PIN		
				0°±2'	scale		1:1		dwg no	
				dr	V.SEBASTIAN		2/23/06		sheet 1 of 1 size	
				engr	T.BREWBAKER		2/23/06		76772 A3	
				chr	T.BREWBAKER		2/23/06		type	
				appd	T.BREWBAKER		2/23/06		Product Customer Drawing	
sheet	revision	F								
index	sheet	1								