



Chipsmall Limited consists of a professional team with an average of over 10 year of expertise in the distribution of electronic components. Based in Hongkong, we have already established firm and mutual-benefit business relationships with customers from,Europe,America and south Asia,supplying obsolete and hard-to-find components to meet their specific needs.

With the principle of “Quality Parts,Customers Priority,Honest Operation,and Considerate Service”,our business mainly focus on the distribution of electronic components. Line cards we deal with include Microchip,ALPS,ROHM,Xilinx,Pulse,ON,Everlight and Freescale. Main products comprise IC,Modules,Potentiometer,IC Socket,Relay,Connector.Our parts cover such applications as commercial,industrial, and automotives areas.

We are looking forward to setting up business relationship with you and hope to provide you with the best service and solution. Let us make a better world for our industry!



## Contact us

Tel: +86-755-8981 8866 Fax: +86-755-8427 6832

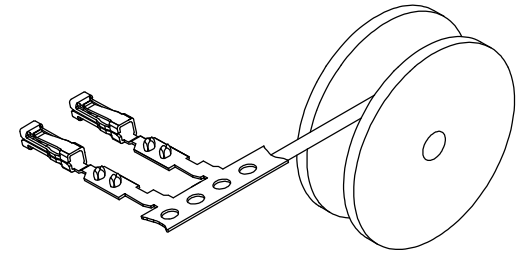
Email & Skype: info@chipsmall.com Web: www.chipsmall.com

Address: A1208, Overseas Decoration Building, #122 Zhenhua RD., Futian, Shenzhen, China

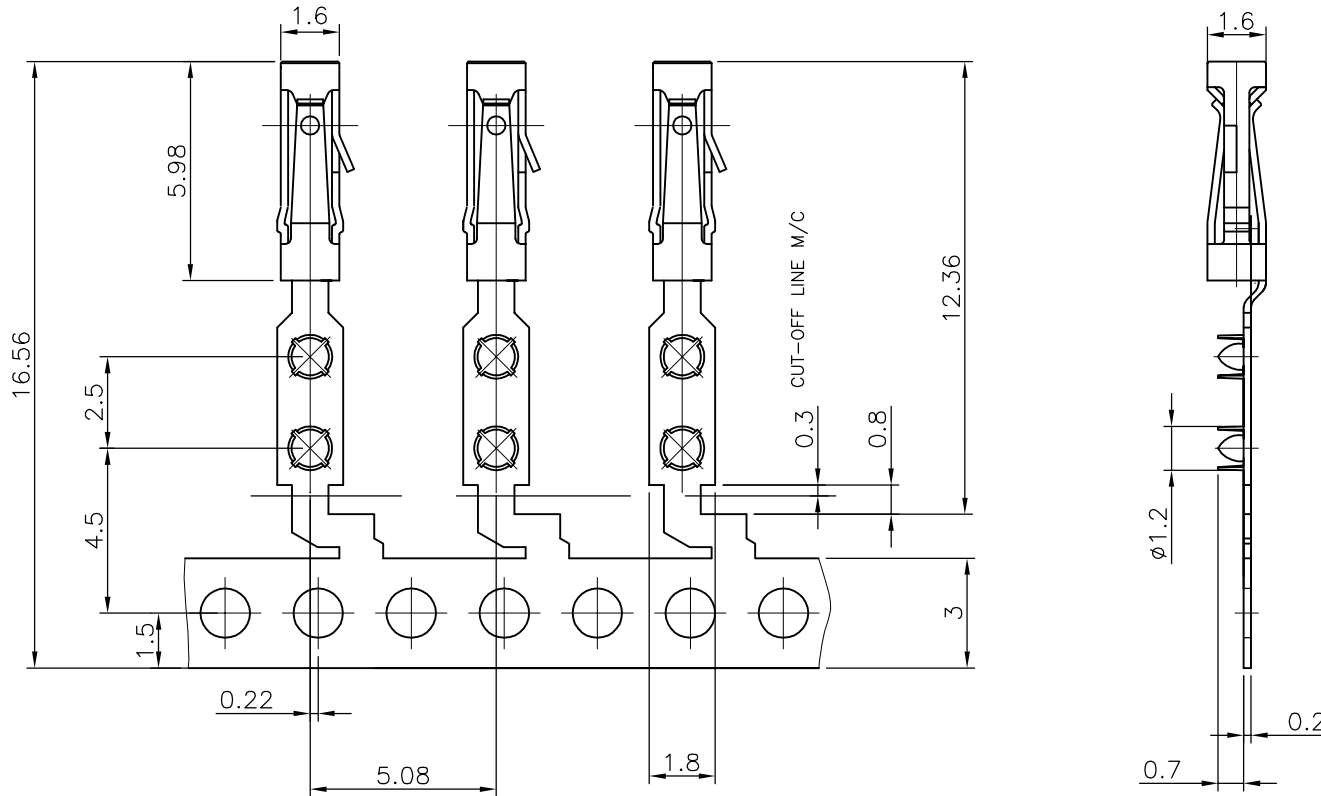


PRODUCT NUMBER	QUANTITY PER REEL	PACKAGING
76785-Y01LF	15000	CARDBOARD REEL
76785-Y11LF	3000	CARDBOARD REEL

RoHS COMPATIBLE, SEE NOTE 3



REELING AFTER STAMPING



NOTES:

- 1 - MATERIAL: PHOSPHOR BRONZE, EXTRA HARD
- 2 - FOR APPLICATION DATA, SEE TA 338
- 3 - RoHS COMPATIBLE PRODUCT SPECIFICATIONS
  - a - PLATING:
    - "LF" MEANS THE PRODUCT IS LEAD-FREE, 2 $\mu$ m MINIMUM MATTE TIN OVER 1.27 $\mu$ m MINIMUM NICKEL UNDERPLATE.
  - b - LABELING:
    - MEETS PACKAGING SPECS AS PER GS-14-920
  - c - LEGAL STATEMENT: SEE GS-47-0004

THE PRODUCT IS NOT INTENDED TO BE EXPOSED TO A MANUFACTURING SOLDER PROCESS.

76785-3XXLF	0.75 $\mu$ m Au MIN. OVER 1.3 $\mu$ m Ni MIN.	Sn OVER Ni	0.3 N MIN
			0.6 N MAX
76785-4XXLF	5 $\mu$ m Sn MIN. OVER 1.27 $\mu$ m Ni MIN.	Sn OVER Ni	0.3 N MIN
			0.6 N MAX
PLATING CODE	CONTACT AREA	SOLDER TAIL	WITHDRAWAL FORCE USING SQUARE PIN
PLATING EXPLANATION			0.61

mat'l. code		surface	tolerance	projection	product family
SEE NOTE		ISO 1302	ISO 406 ISO 101		DUFLEX
Ltr	ecm no	dr	date	tolerances unless otherwise specified	title
M	F05-0286	DLE	05.11.07	.X $\pm$ .3	DUFLEX
N	F06-0196	DLE	06.06.13	linear .XX $\pm$ .13	TERMINAL
P	B-19779	BVE	14.12.18	.XXX $\pm$ .08	mm
				scale 10:1	dwg no
					sheet 1 of 1 size
					76785
					A2
					type
					Product Customer Drawing
sheet index	revision sheet				