



Chipsmall Limited consists of a professional team with an average of over 10 year of expertise in the distribution of electronic components. Based in Hongkong, we have already established firm and mutual-benefit business relationships with customers from,Europe,America and south Asia,supplying obsolete and hard-to-find components to meet their specific needs.

With the principle of “Quality Parts,Customers Priority,Honest Operation,and Considerate Service”,our business mainly focus on the distribution of electronic components. Line cards we deal with include Microchip,ALPS,ROHM,Xilinx,Pulse,ON,Everlight and Freescale. Main products comprise IC,Modules,Potentiometer,IC Socket,Relay,Connector.Our parts cover such applications as commercial,industrial, and automotives areas.

We are looking forward to setting up business relationship with you and hope to provide you with the best service and solution. Let us make a better world for our industry!



Contact us

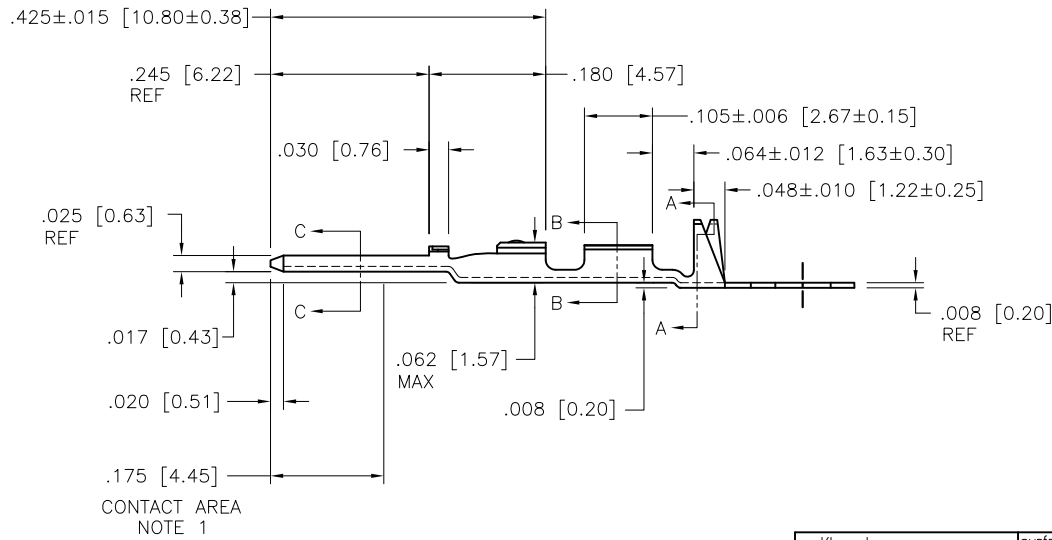
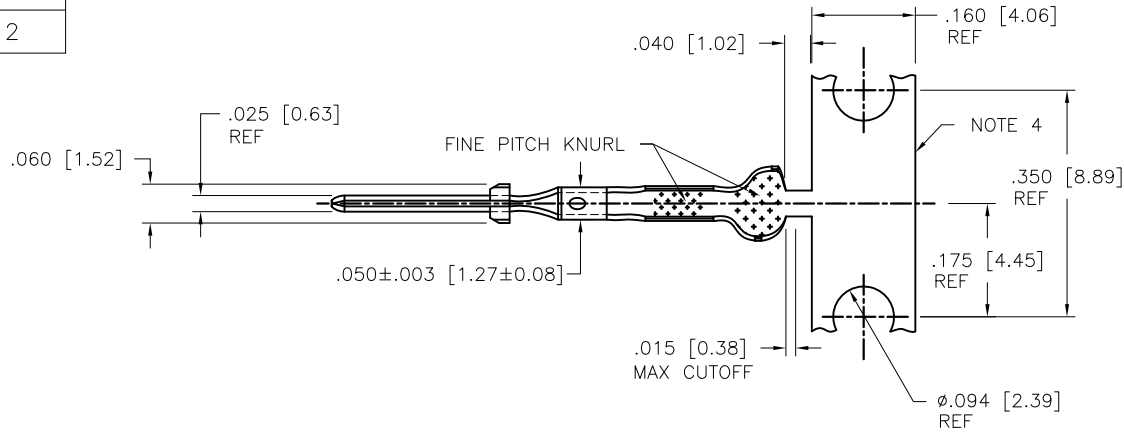
Tel: +86-755-8981 8866 Fax: +86-755-8427 6832

Email & Skype: info@chipsmall.com Web: www.chipsmall.com

Address: A1208, Overseas Decoration Building, #122 Zhenhua RD., Futian, Shenzhen, China

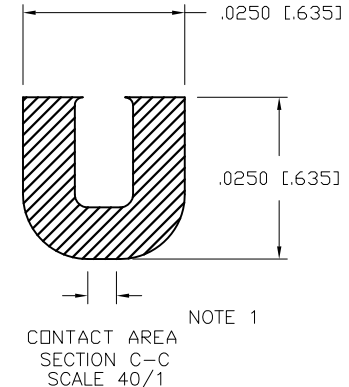
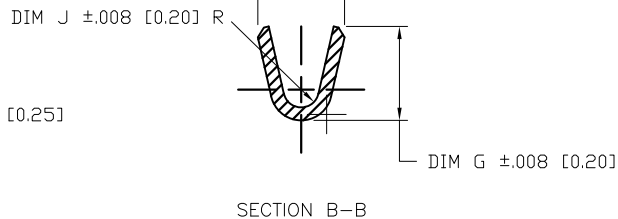
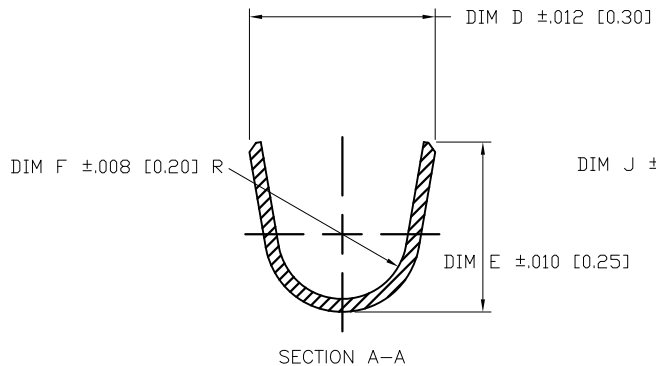


PRODUCT NUMBER
SEE SHEET 2



mat'l. code				surface		tolerance		projection		product family	
SEE TABLE				tolerances unless otherwise specified		INCH/MM		PV TERMINALS		title	
ltr	ec'n no	dr	date	angles	fin	fin	fin	INCH/MM		DUPLX CTW MALE PIN	
H	V09-0453	HTB	2009-10-15					scale 4:1		sheet 1 of 3 size	
-	-	-	-							76808 A4	
C	V41706	SAR	1994-12-13	0°±2'						type CUSTOMER Drawing	
D	V04-1158	TAB	2004-12-06	dr	M. CLOUSER			FCI		sheet 1 of 3 size	
E	V05-0281	HTB	2005-04-14	engr	T. HANNA					76808 A4	
F	V06-0624	HTB	2006-06-30	chr	T. HANNA					type CUSTOMER Drawing	
G	V08-0114	HTB	2008-04-01	appd	T. HANNA					sheet 1 of 3 size	
										76808 A4	
sheet	revision	H	H	H						type CUSTOMER Drawing	
index	sheet	1	2	3						sheet 1 of 3 size	

PRODUCT NUMBER		LOOSE PIECE PRODUCT NUMBER	AWG	PLATING	DIM D	DIM E	DIM F	DIM G	DIM H	DIM J
RIGHT - LEFT	LEFT - RIGHT									
76808-001	76808-004	76808-007	O B S O L E T E							
76808-001LF	76808-004LF	76808-007LF	28-32	NOTE 7	.115 [2.92]	.105 [2.67]	.040 [1.02]	.058 [1.47]	.054 [1.37]	.011 [0.28]
76808-002	76808-005	76808-008	O B S O L E T E							
76808-002LF	76808-005LF	76808-008LF (OBS)	22-26	NOTE 7	.139 [3.53]	.120 [3.05]	.050 [1.27]	.065 [1.65]	.070 [1.78]	.017 [0.43]
76808-003	76808-006	76808-009	O B S O L E T E							
76808-003LF	76808-006LF	76808-009LF	18-20	NOTE 7	.139 [3.53]	.120 [3.05]	.050 [1.27]	.083 [2.11]	.104 [2.64]	.021 [0.53]

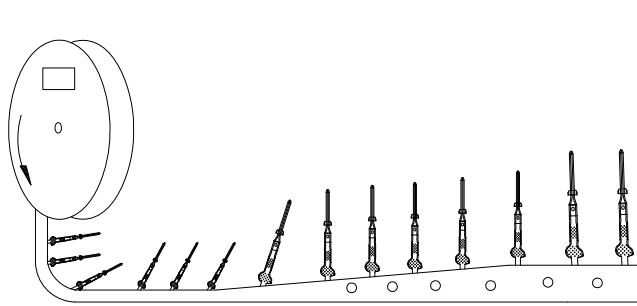


NOTES:

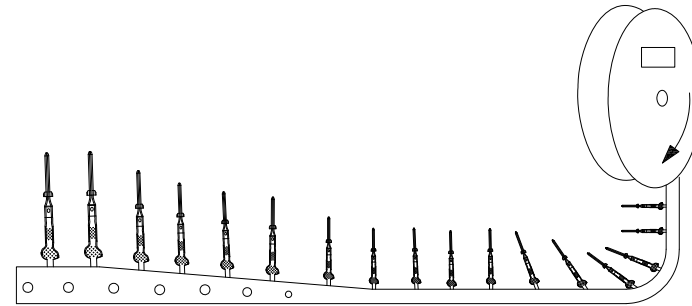
- PLATING: 50u"/1.27u MIN. Ni UNDERPLATE OVER ENTIRE TERMINAL. OVERPLATE 30u"/0.76 MIN. Au IN CONTACT AREA. 50u"/1.27u MIN. TIN-LEAD IN CRIMPING AREA.
- TERMINAL MAY BE USED WITH MINI LATCH HOUSING.
- APPLICABLE SPECIFICATION:
A. BUS-12-098 PRODUCT SPECIFICATION.
B. TA-211 CRIMP SPECIFICATION.
- FOR MANUFACTURING PURPOSES ONLY.
- PRODUCT MEETS EUROPEAN UNION DIRECTIVES AND OTHER COUNTRY REGULATIONS AS DESCRIBED IN GS-22-008.
- THIS PRODUCT IS NOT INTENDED TO BE EXPOSED TO MANUFACTURING SOLDERING PROCESSES.
- PLATING: 50u"/1.27u MIN. Ni UNDERPLATE OVER ENTIRE TERMINAL. OVERPLATE 30u"/0.76 MIN. Au IN CONTACT AREA. 50u"/1.27u MIN. TIN IN CRIMPING AREA.

mat'l. code		surface		tolerance		projection		product family	
SEE TABLE		✓		tolerances unless otherwise specified		INCH/MM		PV TERMINALS	
ltr	ecr no	dr	date	angles	fin	scale 10:1		title	
H					XX*.01/X*.3			DUPLX CTW MALE PIN	
					XXX*.005/XXX*.13			dwg no	
					XXXX*.0020/XXX*.051			76808	
		dr	M. CLOUSER	1994-08-22			sheet 2 of 3		size
		engr	T. HANNA	1994-08-22			A4		
		chr	T. HANNA	1994-08-22			type		CUSTOMER Drawing
		appd	T. HANNA	1994-08-22					
sheet index	revision sheet								

PRODUCT NUMBER
SEE SHEET 2



Unreeling Direction
Left to Right Into
Applicator



Unreeling Direction
Right to Left Into
Applicator

mat'l. code		surface		tolerance		projection		product family		
SEE TABLE				✓		INCH/MM		PV TERMINALS		
ltr	ecrn no	dr	date	tolerances unless otherwise specified		INCH/MM		title		
H				angles	.XX±.01/XX±.3	↔		DUPLEX CTW MALE PIN		
				lines	XXX±.005/XX±.13	↔		dwg no		
				0'±.2'	XXXX±.0020/XXX±.051	scale 1:1		sheet 3 of 3 size		
		dr	M. CLOUSER	1994-08-22			FCI		76808 A4	
		engr	T. HANNA	1994-08-22					type	
		chr	T. HANNA	1994-08-22					CUSTOMER Drawing	
		appd	T. HANNA	1994-08-22						
sheet index	revision sheet									