



Chipsmall Limited consists of a professional team with an average of over 10 year of expertise in the distribution of electronic components. Based in Hongkong, we have already established firm and mutual-benefit business relationships with customers from,Europe,America and south Asia,supplying obsolete and hard-to-find components to meet their specific needs.

With the principle of “Quality Parts,Customers Priority,Honest Operation,and Considerate Service”,our business mainly focus on the distribution of electronic components. Line cards we deal with include Microchip,ALPS,ROHM,Xilinx,Pulse,ON,Everlight and Freescale. Main products comprise IC,Modules,Potentiometer,IC Socket,Relay,Connector.Our parts cover such applications as commercial,industrial, and automotives areas.

We are looking forward to setting up business relationship with you and hope to provide you with the best service and solution. Let us make a better world for our industry!



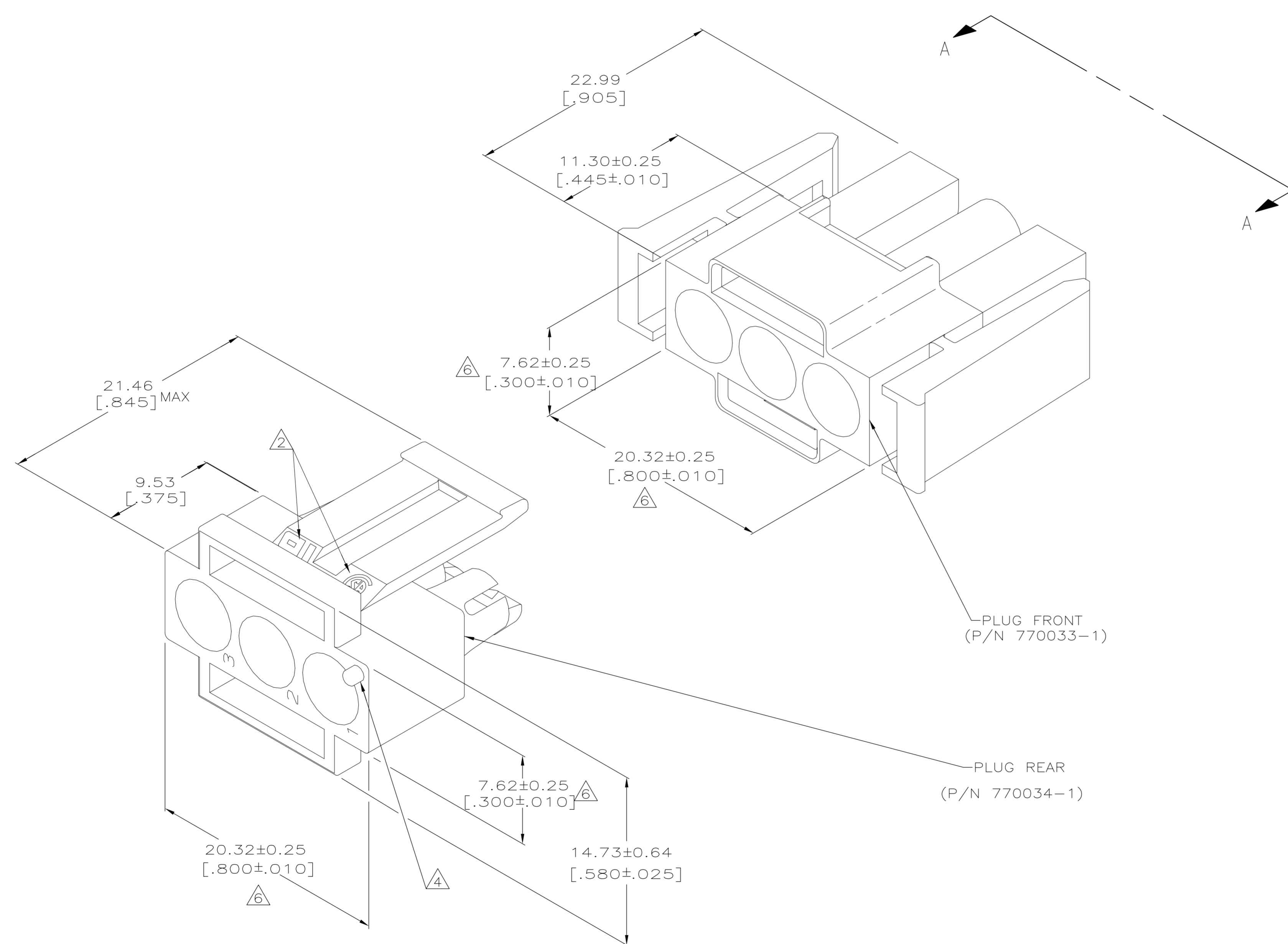
## Contact us

Tel: +86-755-8981 8866 Fax: +86-755-8427 6832

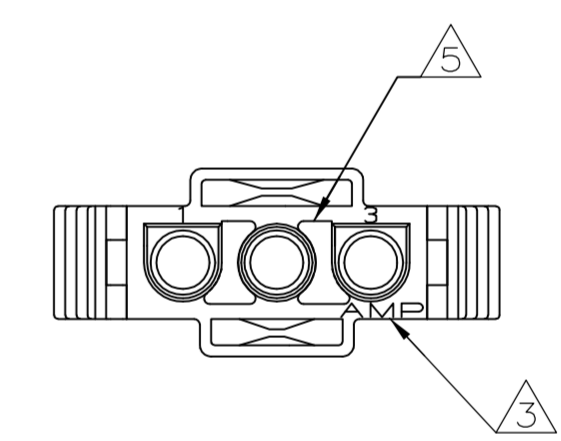
Email & Skype: info@chipsmall.com Web: www.chipsmall.com

Address: A1208, Overseas Decoration Building, #122 Zhenhua RD., Futian, Shenzhen, China





- 1. BULK PACKAGED, UNASSEMBLED.
- 2. APPROVAL AGENCY LOGO LOCATED APPROXIMATELY AS SHOWN.
- 3. AMP LOGO LOCATED THIS SURFACE.
- 4. CIRCUIT NUMBER ONE IDENTIFICATION BUTTON AND CIRCUIT IDENTIFICATION NUMBERS ARE EACH LOCATED ADJACENT TO THE APPROPRIATE CIRCUIT CAVITIES.
- 5. NEW MOLD CONSTRUCTION PROVIDES MATERIAL REDUCTION CORING AT BASE OF SILOS WITH NO CORING AS OPTIONAL.
- 6. DIMENSION INDICATED IS AS MOLDED. ADDITIONAL GROWTH DUE TO SUBSEQUENT MOISTURE ABSORPTION MAY OCCUR.



VIEW A-A  
 SCALE 2:1

770018-1  
 PART NUMBER

METRIC

THIS DRAWING IS A CONTROLLED DOCUMENT.		DWN K. SALMON 1-22-92	TE Connectivity	
DIMENSIONS: INCHES		CHK R. SWING 1-22-92	NAME PLUG HOUSING KIT, 3 CIRCUIT, IN-LINE, TM II UNIVERSAL MATE-N-LOK II	
TOLERANCES UNLESS OTHERWISE SPECIFIED:		APP'D M. TRULL 1-22-92	PRODUCT SPEC	
0. PLC	± -	APPLICATION SPEC		
1. PLC	± -	WEIGHT		
2. PLC	± -	SIZE		
3. PLC	± 0.13 [.005]	CAGE CODE		
4. PLC	± -	DRAWING NO		
ANGLES	± -	RESTRICTED TO		
MATERIAL NYLON,UL94V-0,	FINISH -	A1 00779 C=770018		
CUSTOMER DRAWING		SCALE 5:1	SHEET 1 OF 1	REV E1