



Chipsmall Limited consists of a professional team with an average of over 10 year of expertise in the distribution of electronic components. Based in Hongkong, we have already established firm and mutual-benefit business relationships with customers from,Europe,America and south Asia,supplying obsolete and hard-to-find components to meet their specific needs.

With the principle of “Quality Parts,Customers Priority,Honest Operation,and Considerate Service”,our business mainly focus on the distribution of electronic components. Line cards we deal with include Microchip,ALPS,ROHM,Xilinx,Pulse,ON,Everlight and Freescale. Main products comprise IC,Modules,Potentiometer,IC Socket,Relay,Connector.Our parts cover such applications as commercial,industrial, and automotives areas.

We are looking forward to setting up business relationship with you and hope to provide you with the best service and solution. Let us make a better world for our industry!



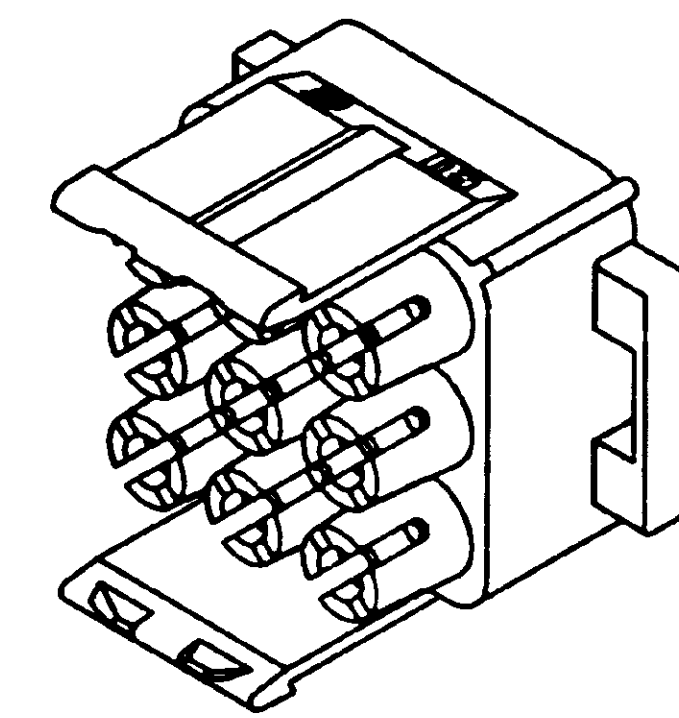
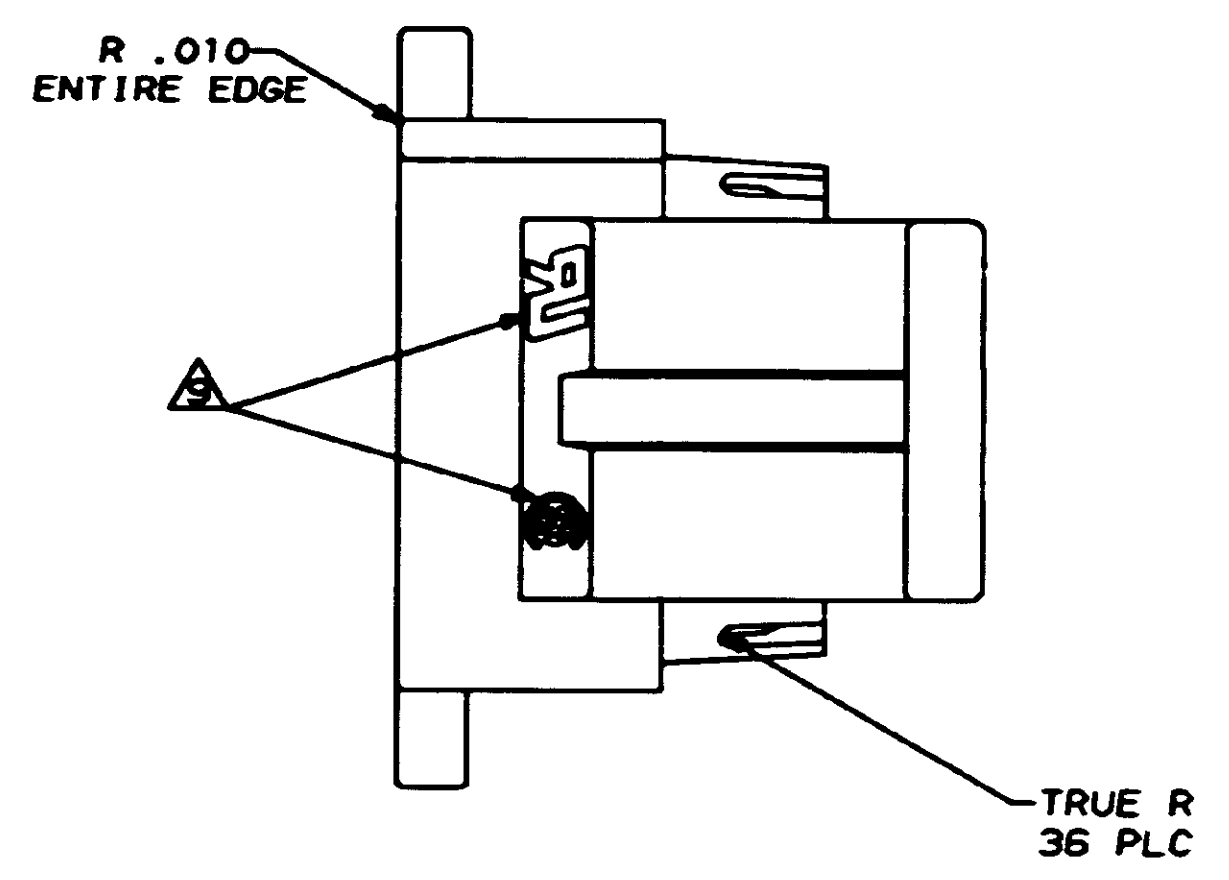
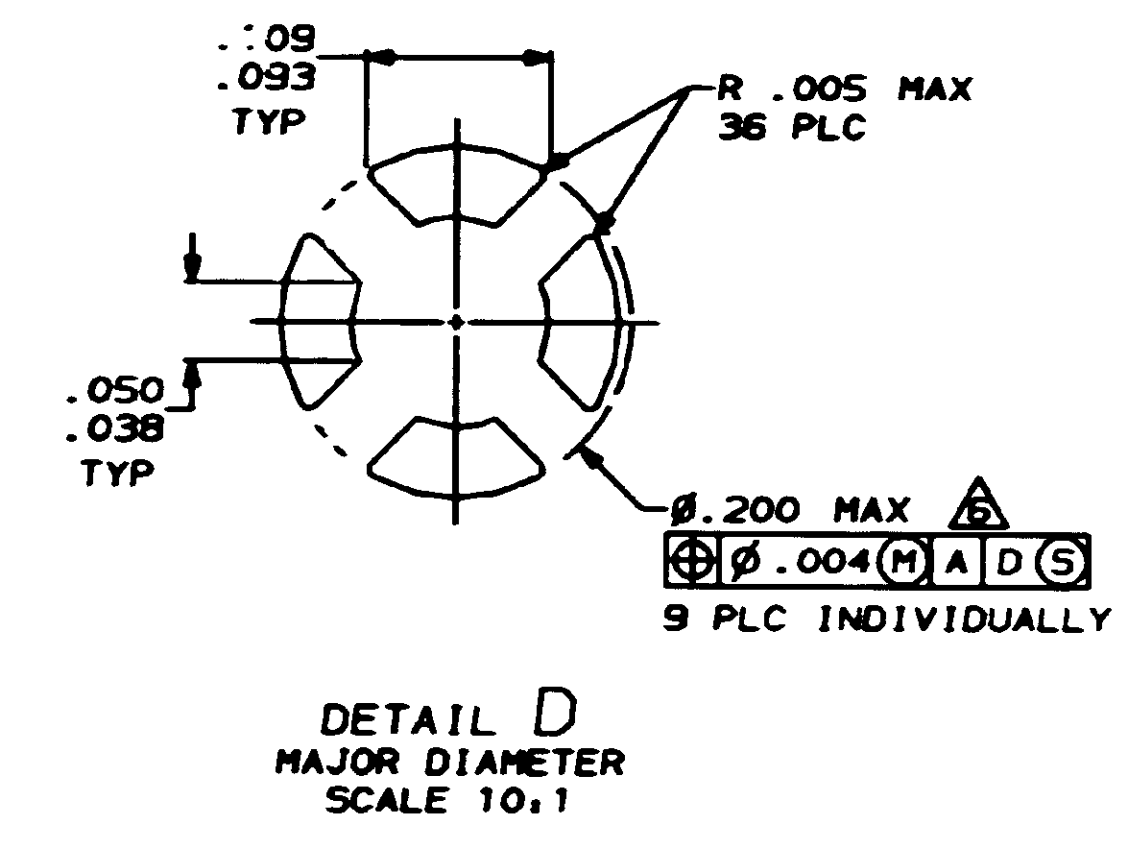
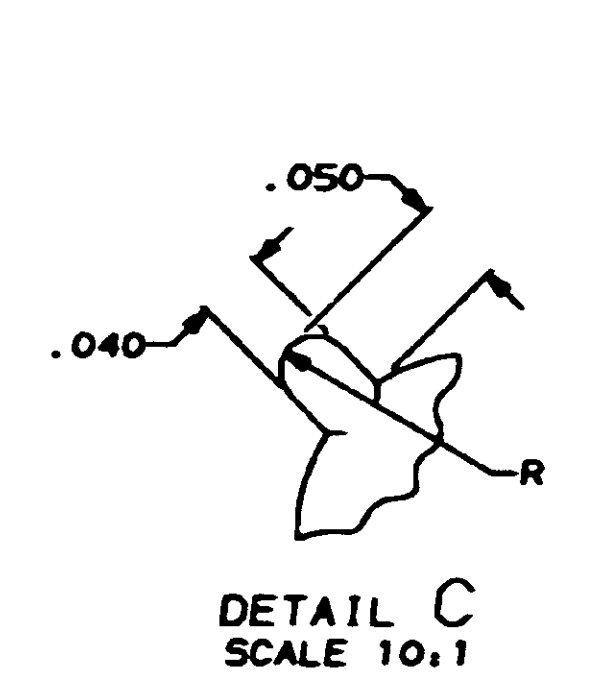
Contact us

Tel: +86-755-8981 8866 Fax: +86-755-8427 6832

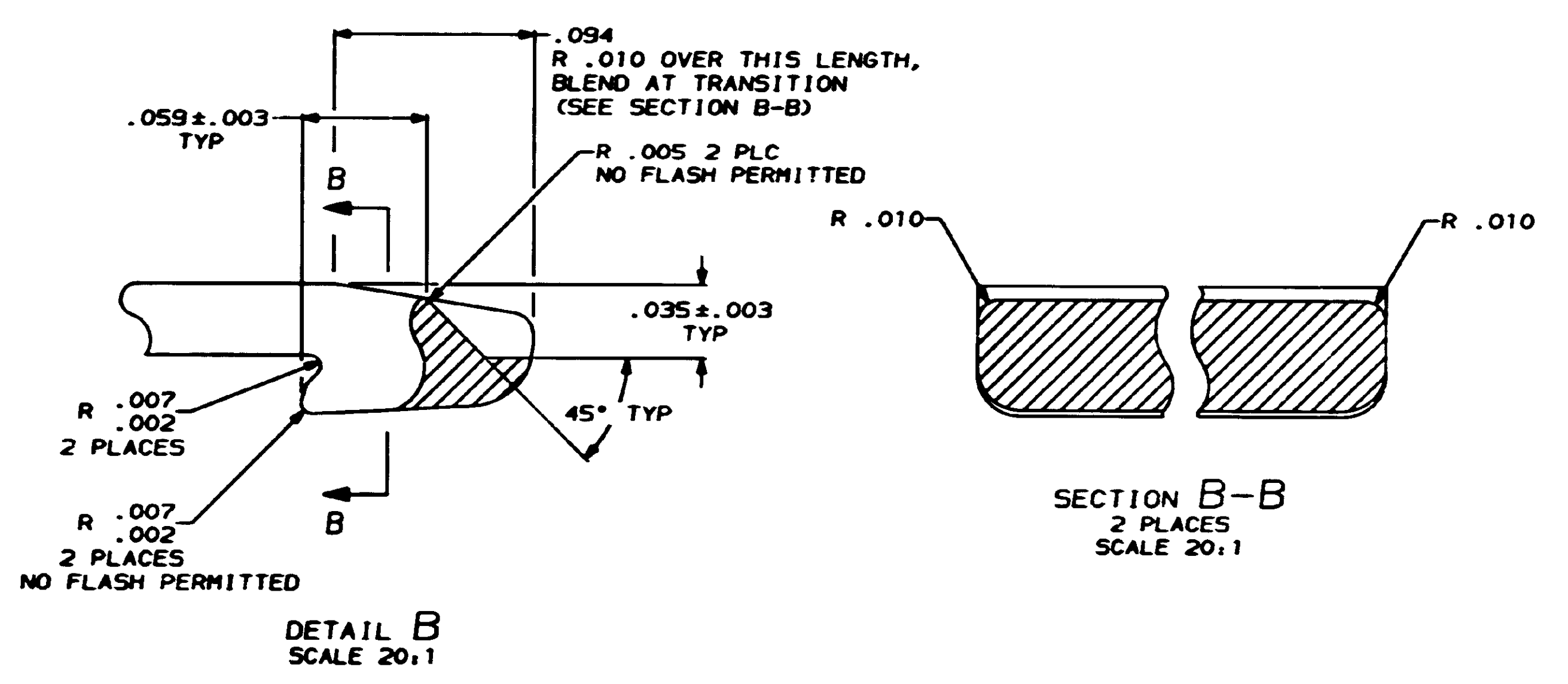
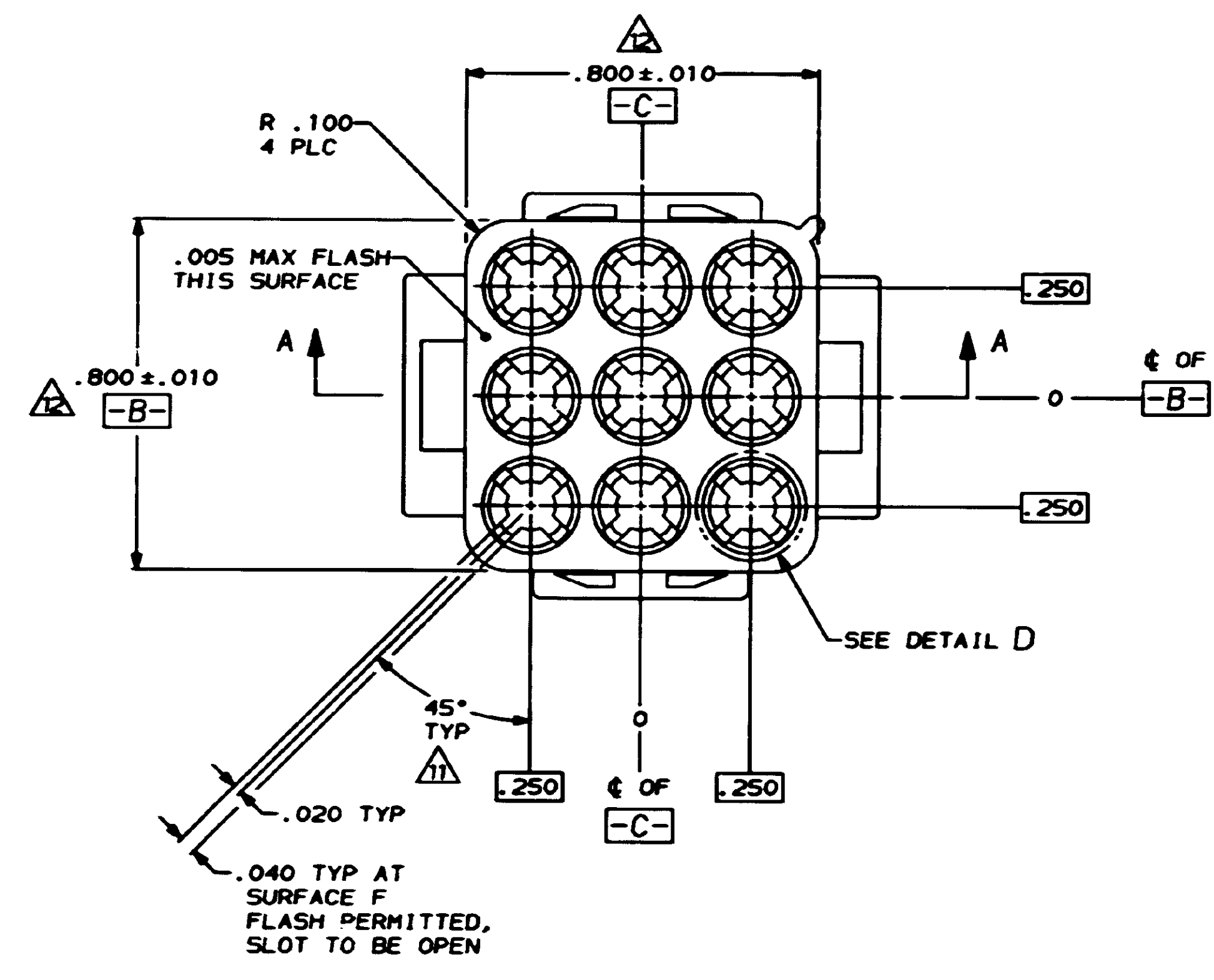
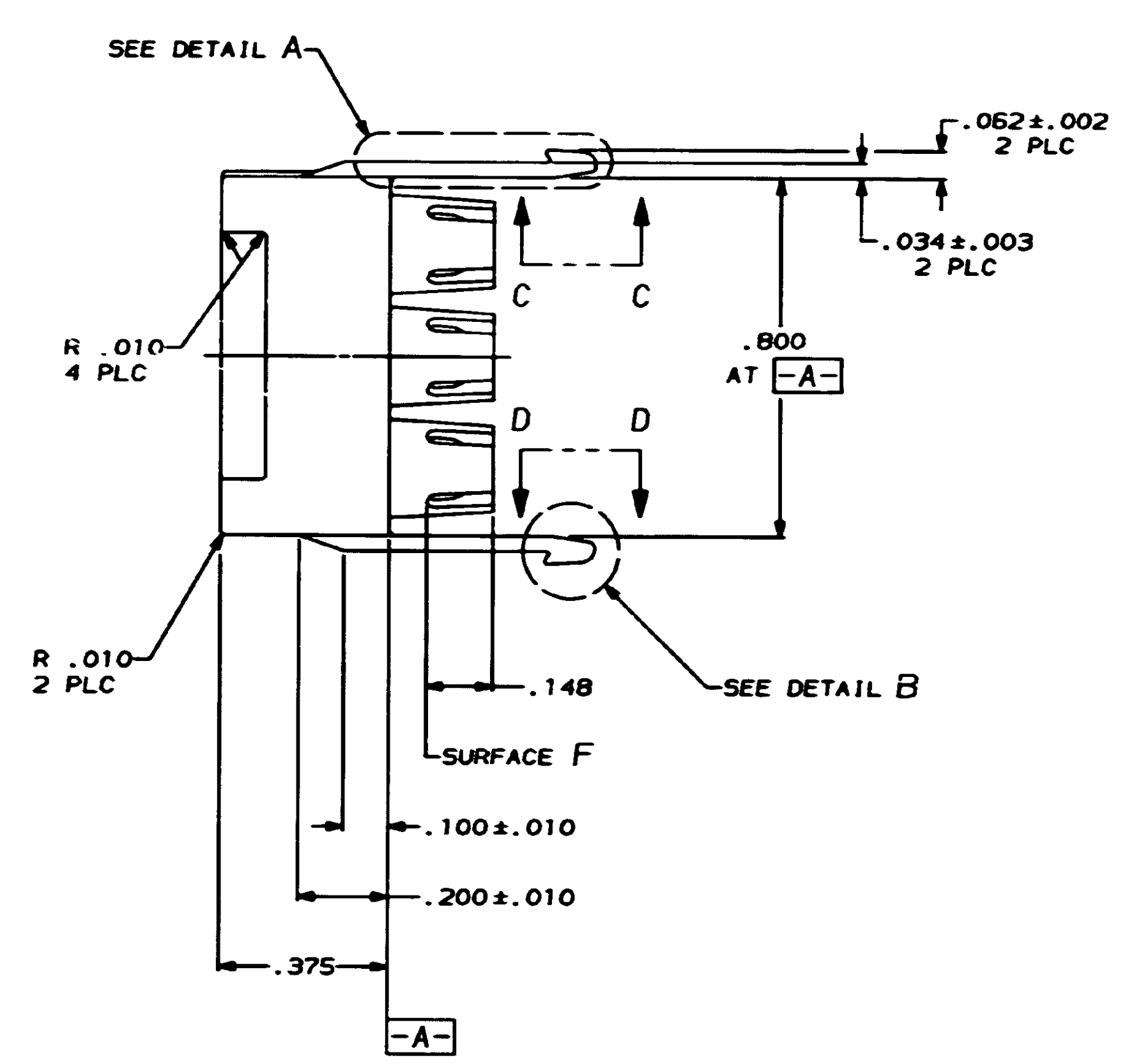
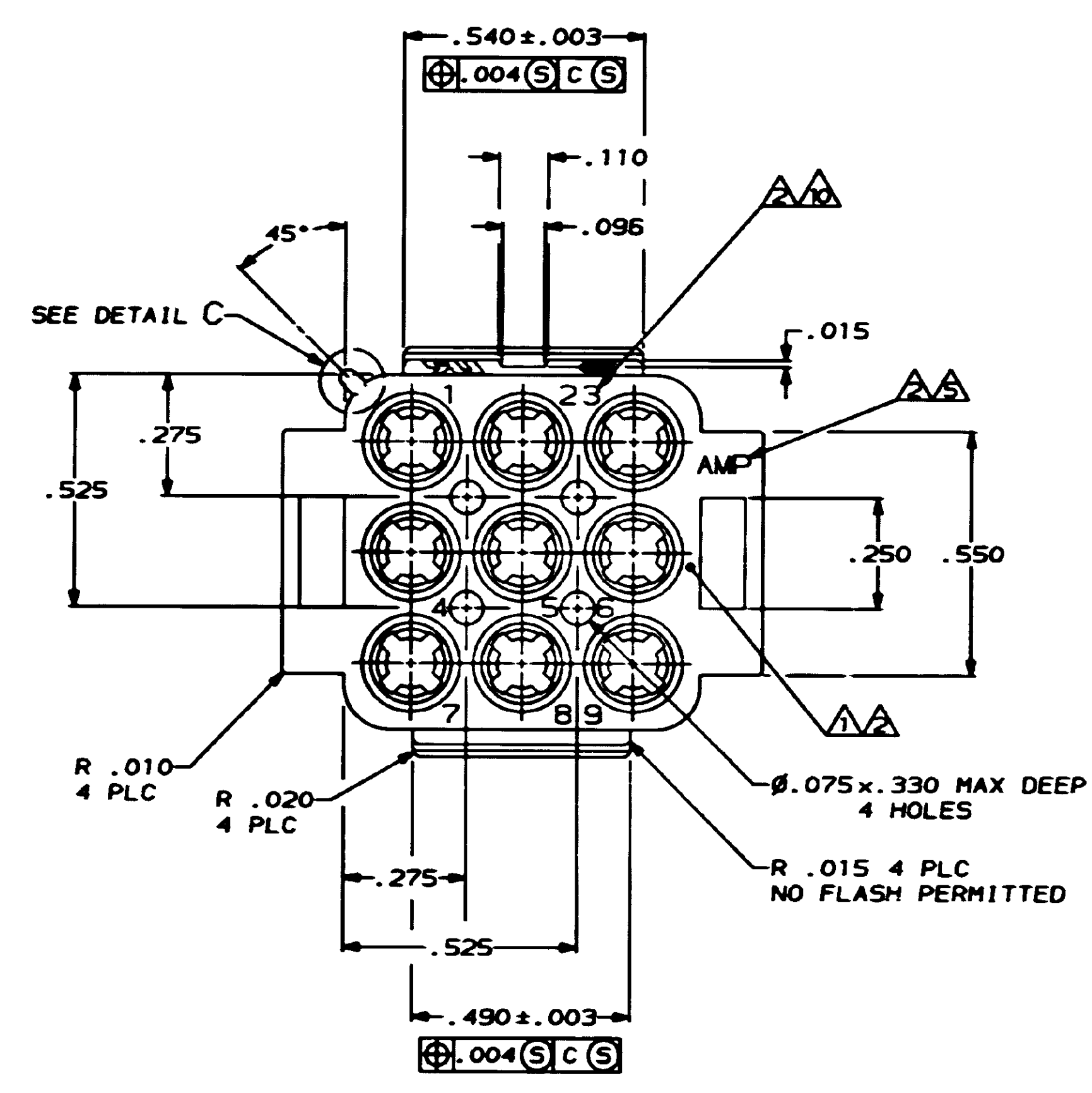
Email & Skype: info@chipsmall.com Web: www.chipsmall.com

Address: A1208, Overseas Decoration Building, #122 Zhenhua RD., Futian, Shenzhen, China

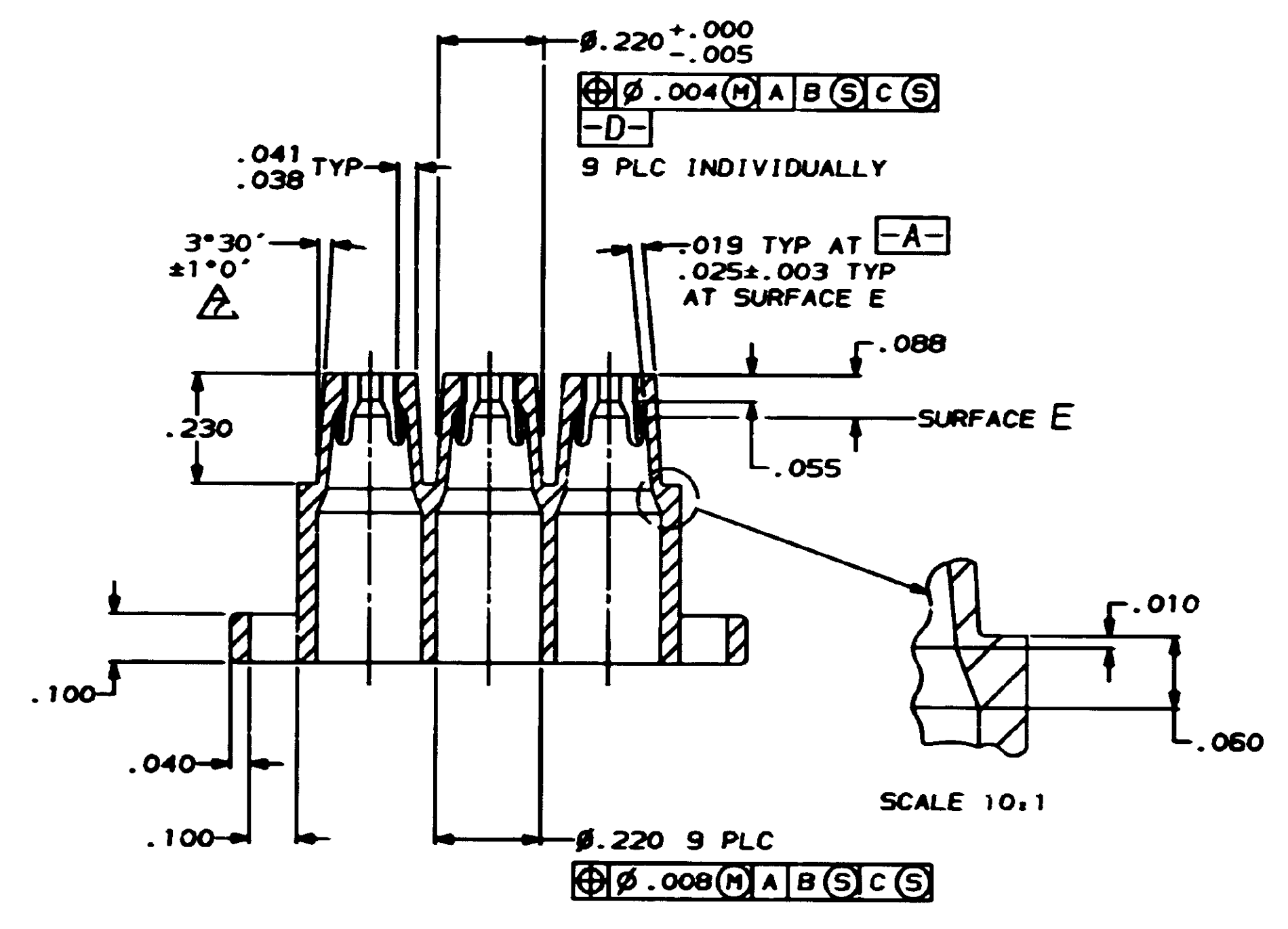
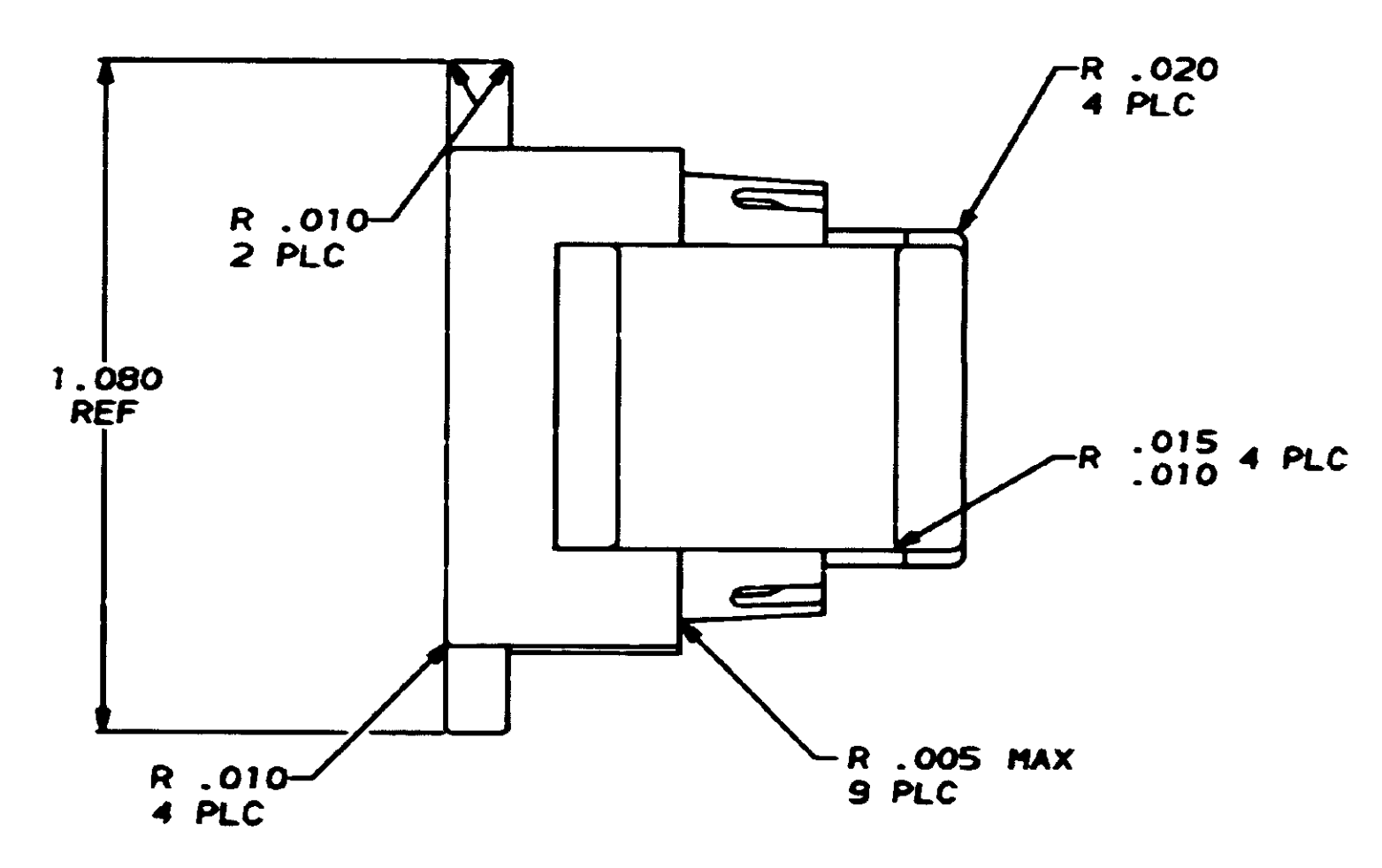




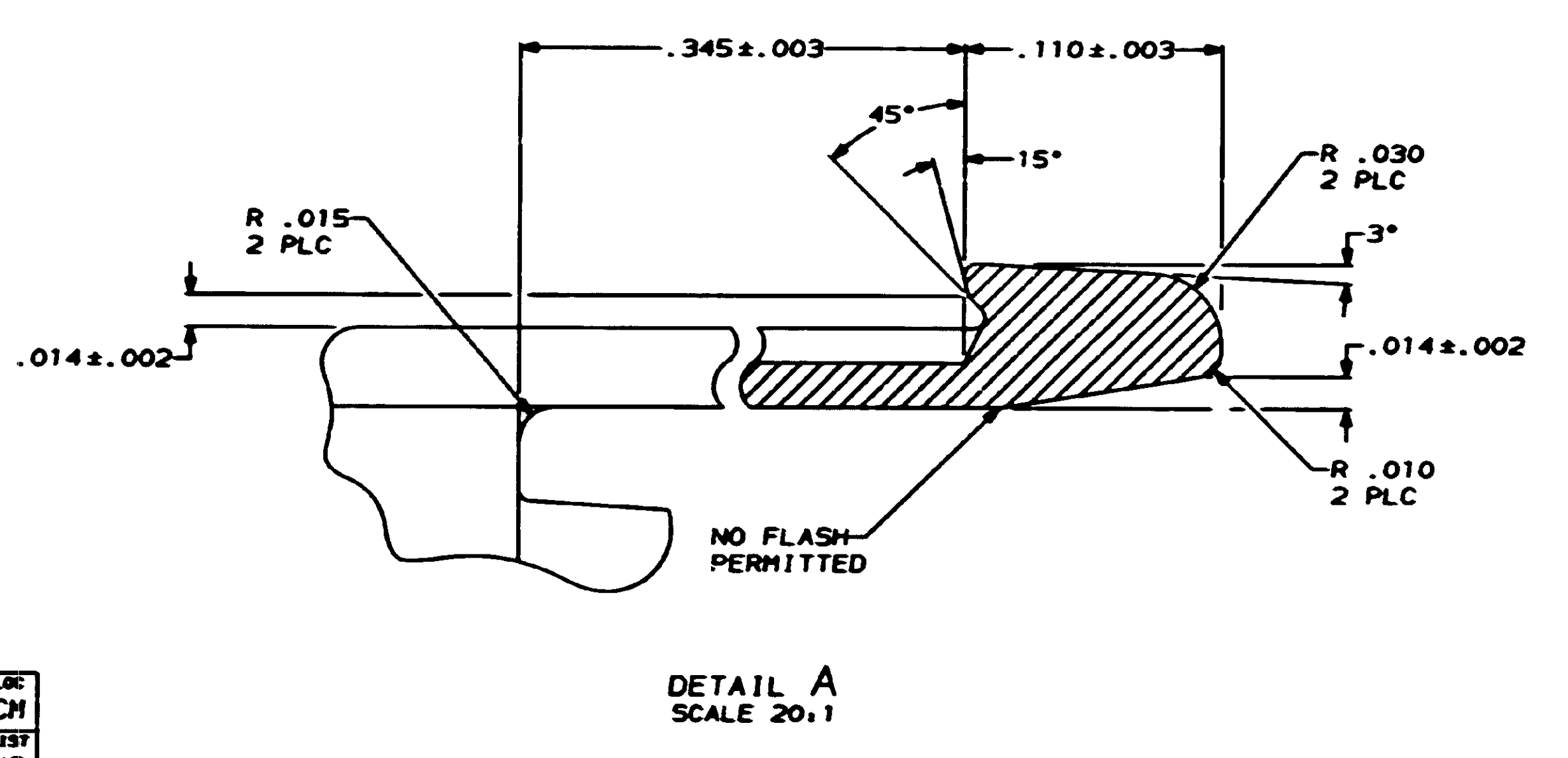
- LOCATE MOLD CAVITY IDENTIFICATION THIS SURFACE, .005 HIGH PAD PERMITTED.
- CHARACTERS .040 HIGH, RAISED .002-.005 WITH .010-.015 FLAT ON TOP UNLESS OTHERWISE SPECIFIED (REFERENCE).
- PART MUST CONFORM TO AMP SPEC. 115-49001.
- MOLDING COMPOUND NYLON, TYPE 6/6, FLM RTD, LUB, NATURAL (BRICK RED), 702926-1.
- LOCATE AMP TRADEMARK THIS SURFACE.
- NOMINAL CONTROLLING DIMENSIONS WOULD CAUSE THIS DIAMETER TO BE .1895. THIS MAY BE EXCEEDED AS SHOWN IN DETAIL D.
- THIS ANGLE MUST BE HELD BETWEEN -A- AND SURFACE F.
- PART IS NOT TO BE MOISTURIZED.
- UNDERWRITERS RECOGNIZED COMPONENT MARK PER DRAWING 18838 AND CSA CERTIFICATION MARK PER DRAWING 18839 TO BE LOCATED ONCE EACH IN EITHER INDICATED AREA, APPROXIMATELY .030 HIGH, RAISED .002-.005 WITH .010 MIN FLAT ON TOP (REFERENCE).
- POSITION CIRCUIT IDENTIFICATION CHARACTERS ADJACENT TO THE INDICATED CAVITIES, PREFERABLY IN THE LOCATIONS SHOWN.
- COORDINATE DIMENSION APPLIES FROM CENTER OF ACTUAL FEATURE.
- DIMENSION IS AS MOLDED. ADDITIONAL GROWTH OF .015 INCH IS ALLOWED DUE TO SUBSEQUENT MOISTURE ABSORPTION.



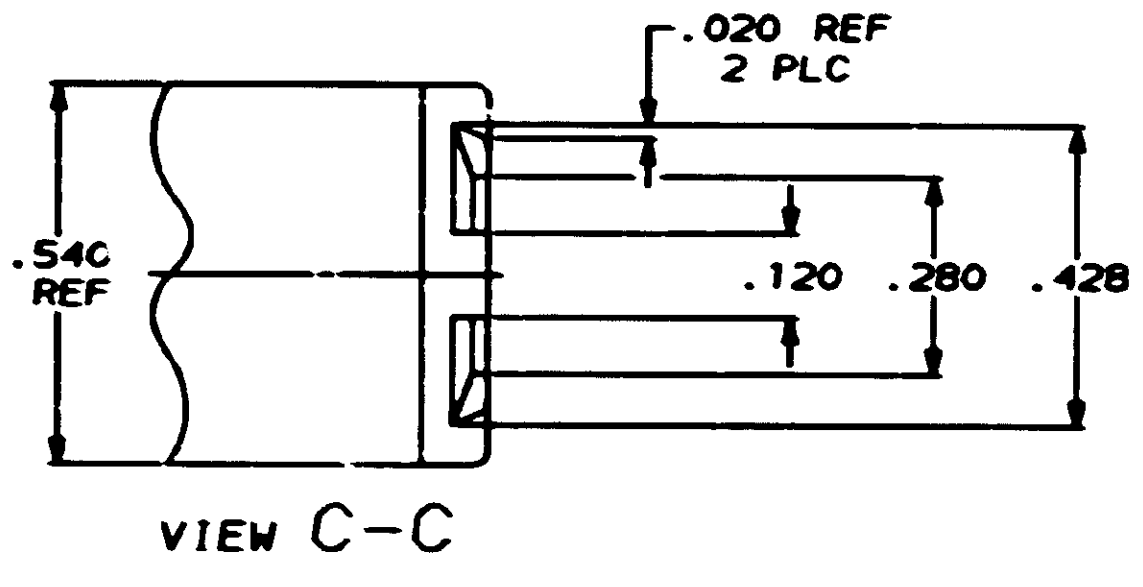
SECTION B-B 2 PLACES SCALE 20:1



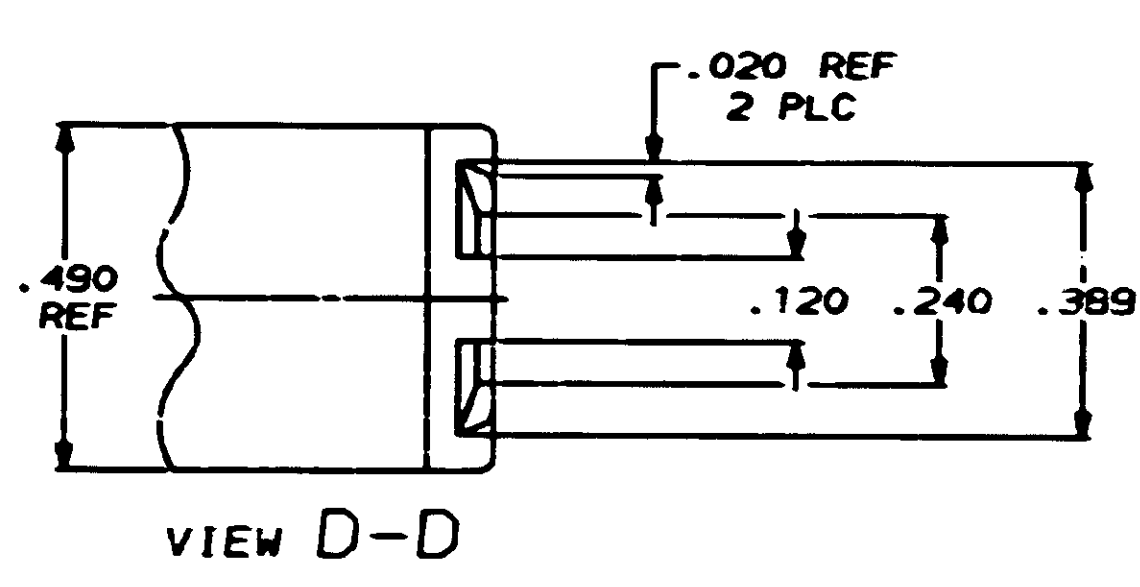
SECTION A-A



DETAIL A SCALE 20:1



VIEW C-C



VIEW D-D

770054-1 PART NUMBER

REV	DATE	BY	CHKD	APP'D	DESCRIPTION	QTY	UNIT
1	1-15-62	E. SALMON	H. TRILL		CAP REAR, 9 CKT, UNIVERSAL MATE-N-LOK II		
2	1-15-62	H. TRILL					
3	1-15-62	H. TRILL					
4	1-15-62	H. TRILL					
5	1-15-62	H. TRILL					

Vertical text on the left margin: LRC CH 45