



Chipsmall Limited consists of a professional team with an average of over 10 year of expertise in the distribution of electronic components. Based in Hongkong, we have already established firm and mutual-benefit business relationships with customers from,Europe,America and south Asia,supplying obsolete and hard-to-find components to meet their specific needs.

With the principle of “Quality Parts,Customers Priority,Honest Operation,and Considerate Service”,our business mainly focus on the distribution of electronic components. Line cards we deal with include Microchip,ALPS,ROHM,Xilinx,Pulse,ON,Everlight and Freescale. Main products comprise IC,Modules,Potentiometer,IC Socket,Relay,Connector.Our parts cover such applications as commercial,industrial, and automotives areas.

We are looking forward to setting up business relationship with you and hope to provide you with the best service and solution. Let us make a better world for our industry!



## Contact us

Tel: +86-755-8981 8866 Fax: +86-755-8427 6832

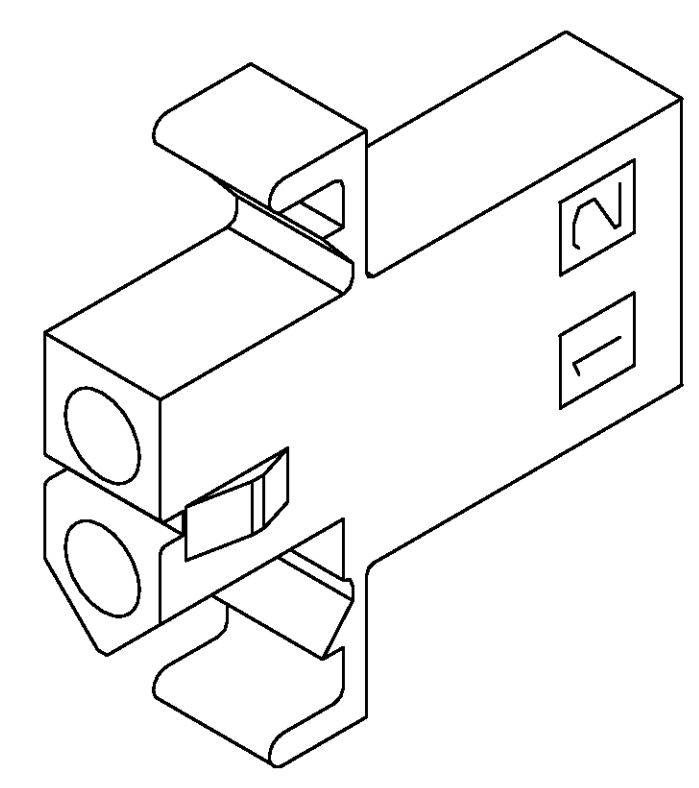
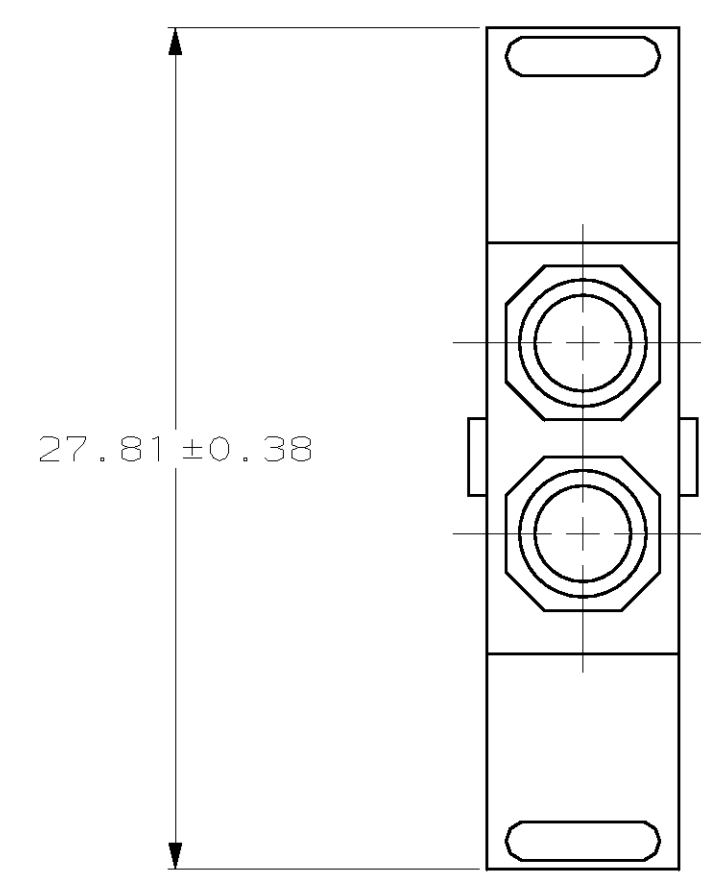
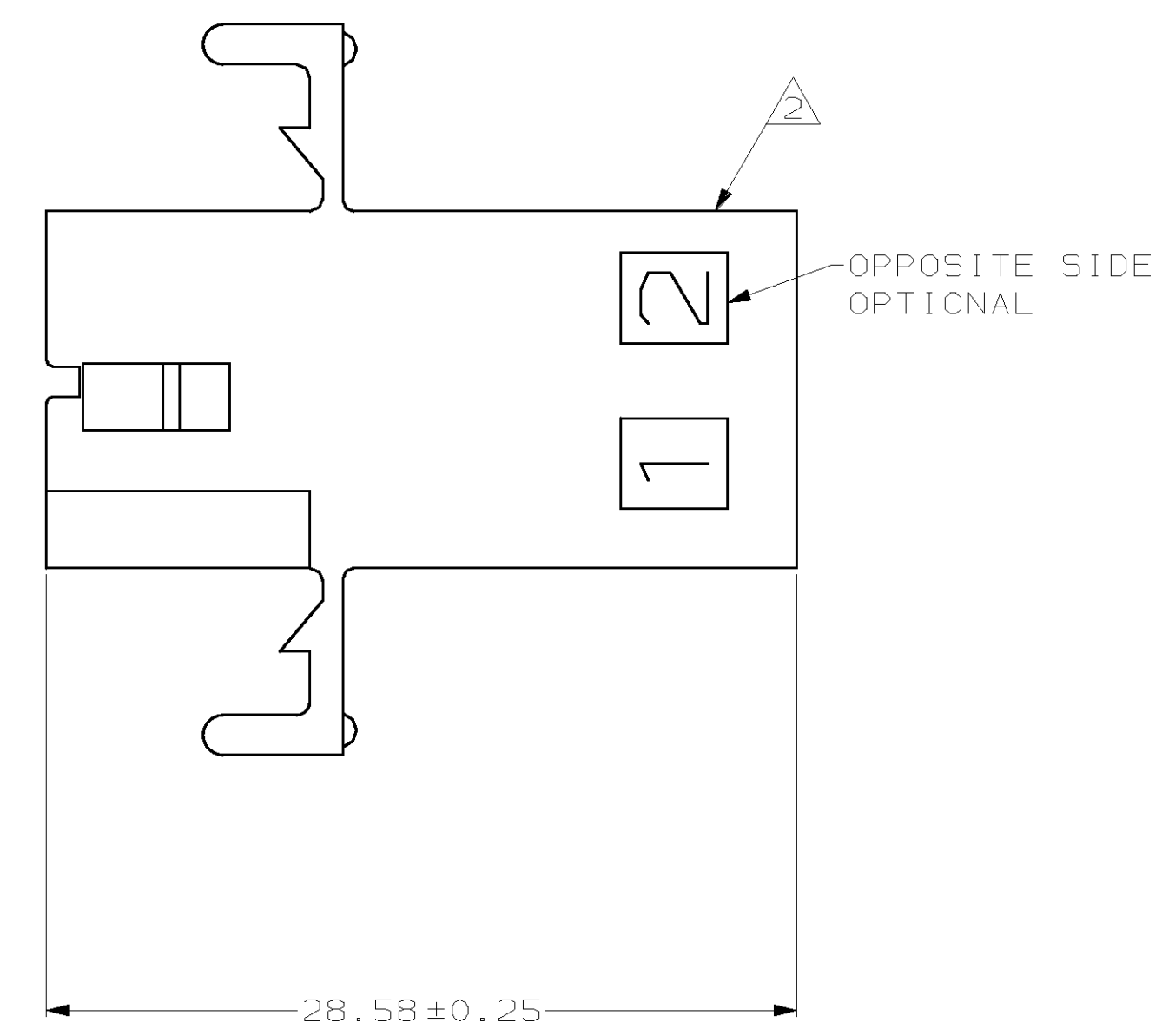
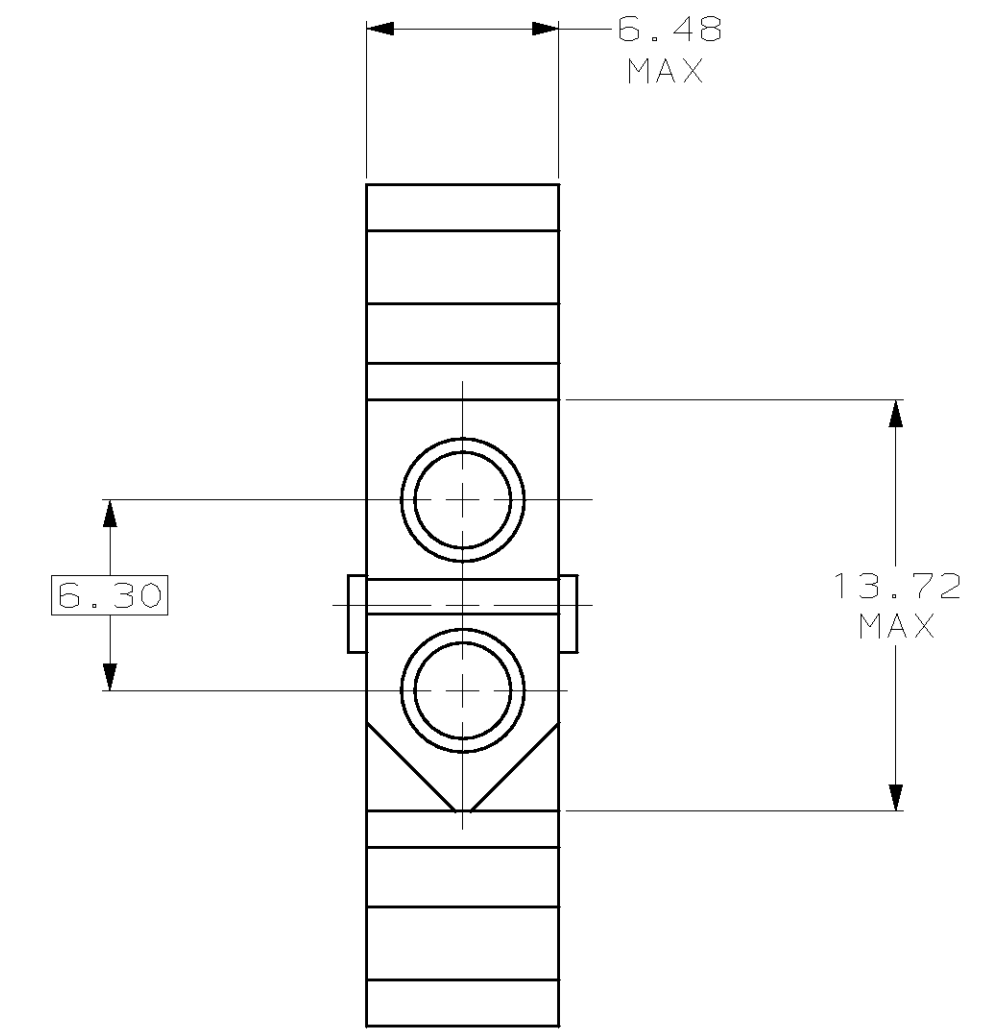
Email & Skype: info@chipsmall.com Web: www.chipsmall.com

Address: A1208, Overseas Decoration Building, #122 Zhenhua RD., Futian, Shenzhen, China

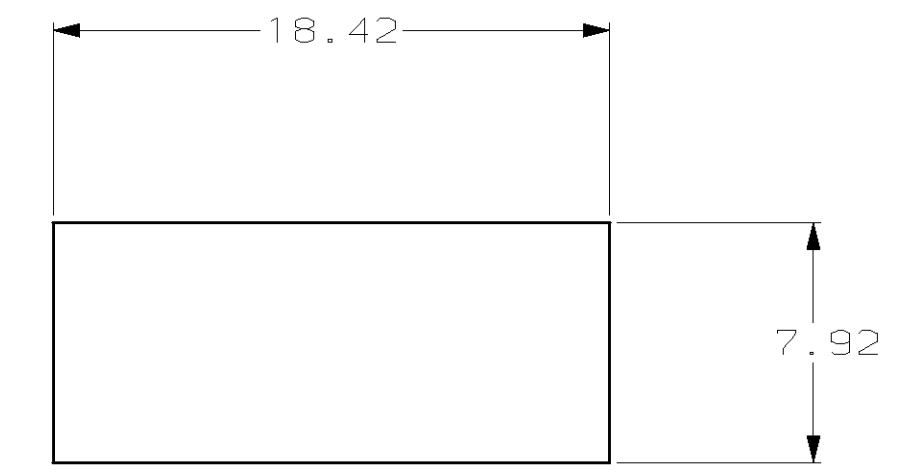


LOC	QTY	REV	DATE	BY	CHK	APPV
CM	53	K	2-11-98	KW	RS	

- 1. RECOMMENDED PANEL THICKNESS 2.29 MAX.
- 2. MARKING FOR UL AND CSA LOGOS LOCATED ON THIS SURFACE.



3-DIMENSIONAL MODEL NTS



RECOMMENDED PANEL CUT OUT

MM	IN
28.58	1.125
27.81	1.095
18.42	.725
13.72	.540
7.92	.312
6.48	.255
6.30	.248
2.36	.093
2.29	.090
0.38	.015
0.25	.010
0.13	.005
MM	IN

CONVERSION TABLE

770066-1  
PART NUMBER

**METRIC**

THIS DRAWING IS A CONTROLLED DOCUMENT.		DWN K. WHITAKER 2-11-98	AMP Incorporated Harrisburg, PA 17105-3608
DIMENSIONS: mm		CHK R. SWING 2-11-98	
TOLERANCES UNLESS OTHERWISE SPECIFIED:		APPV K. CORLE 2-11-98	PRODUCT SPEC APPLICATION SPEC HEIGHT
MATERIAL: NYLON, JL 94V-2, NATURAL		FINISH: -	RECEPTACLE, 2 CIRCUIT, .093 PIN AND SOCKET SIZE: A1 SCALE: 4:1 SHEET: 1 OF 1 REV: K