



Chipsmall Limited consists of a professional team with an average of over 10 year of expertise in the distribution of electronic components. Based in Hongkong, we have already established firm and mutual-benefit business relationships with customers from,Europe,America and south Asia,supplying obsolete and hard-to-find components to meet their specific needs.

With the principle of “Quality Parts,Customers Priority,Honest Operation,and Considerate Service”,our business mainly focus on the distribution of electronic components. Line cards we deal with include Microchip,ALPS,ROHM,Xilinx,Pulse,ON,Everlight and Freescale. Main products comprise IC,Modules,Potentiometer,IC Socket,Relay,Connector.Our parts cover such applications as commercial,industrial, and automotives areas.

We are looking forward to setting up business relationship with you and hope to provide you with the best service and solution. Let us make a better world for our industry!



## Contact us

Tel: +86-755-8981 8866 Fax: +86-755-8427 6832

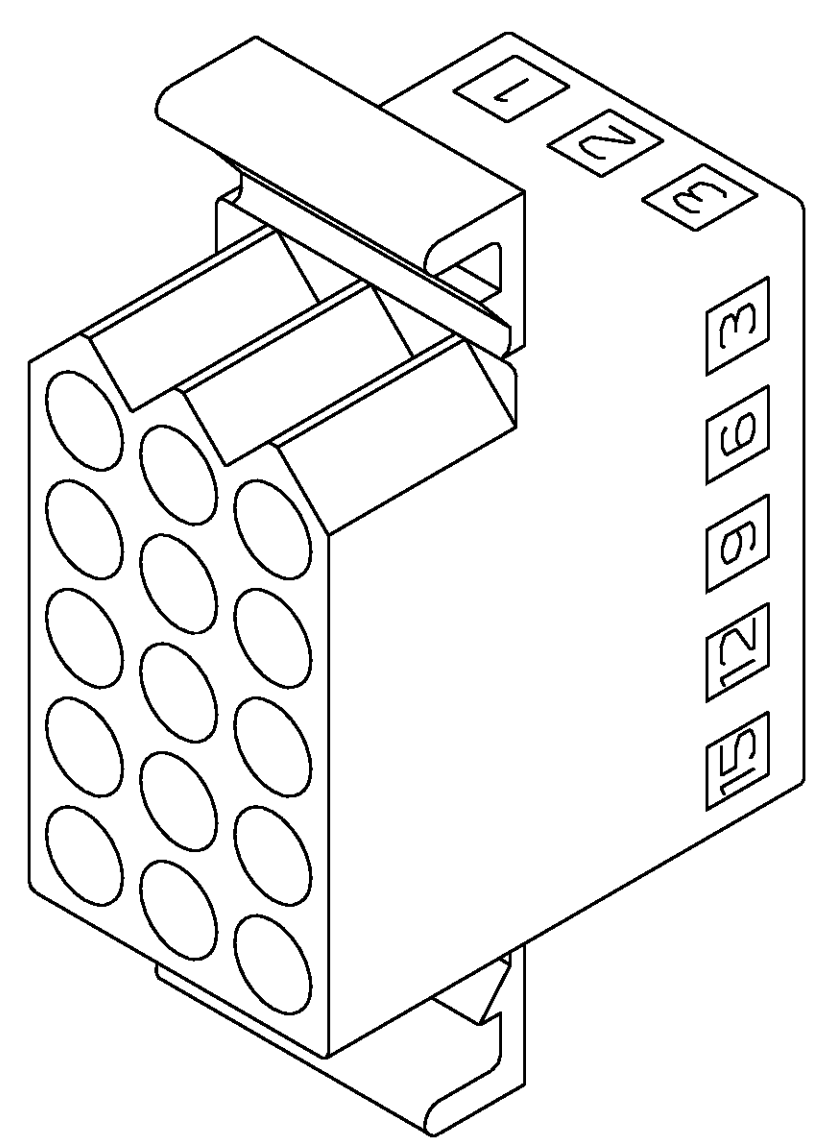
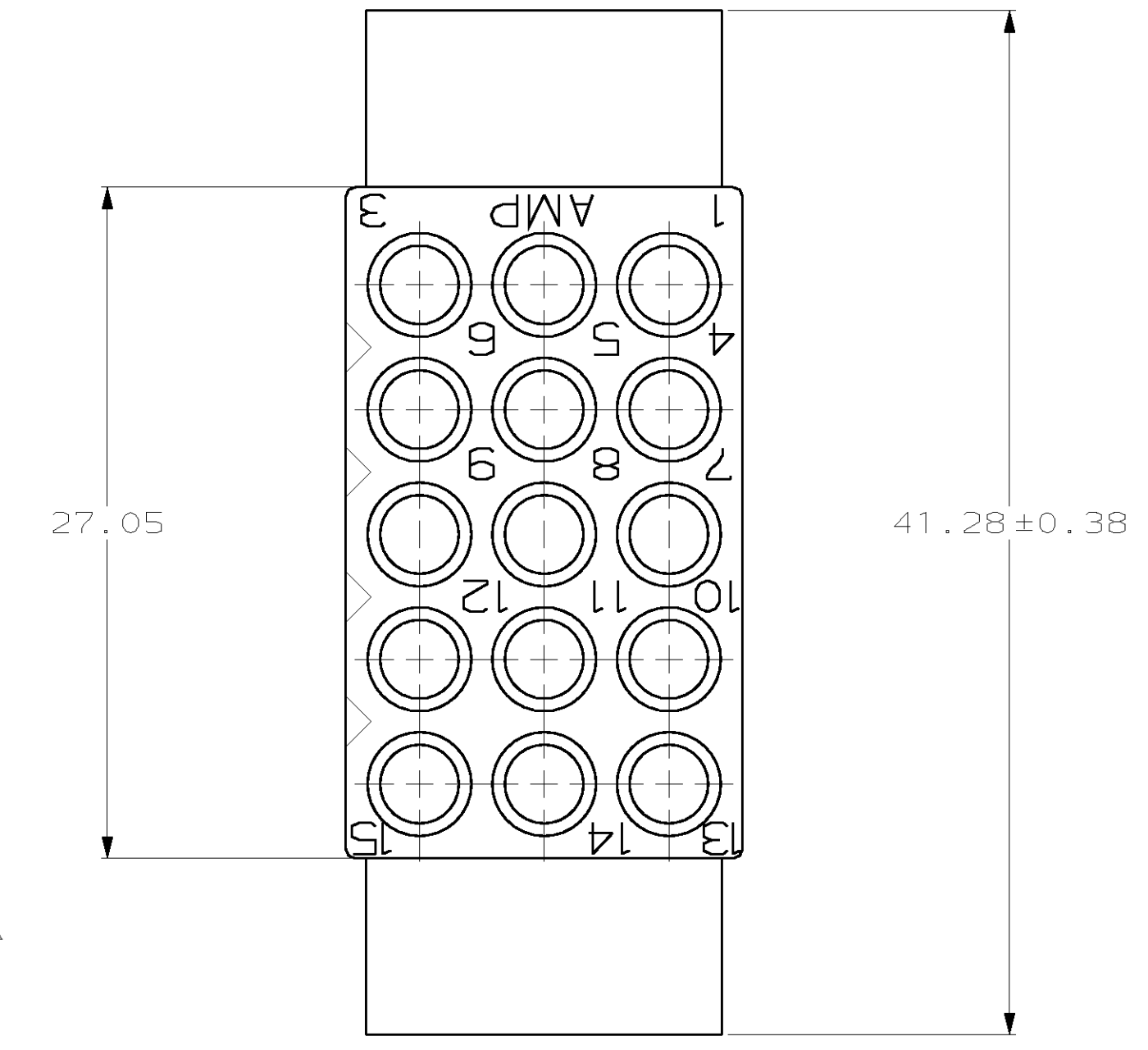
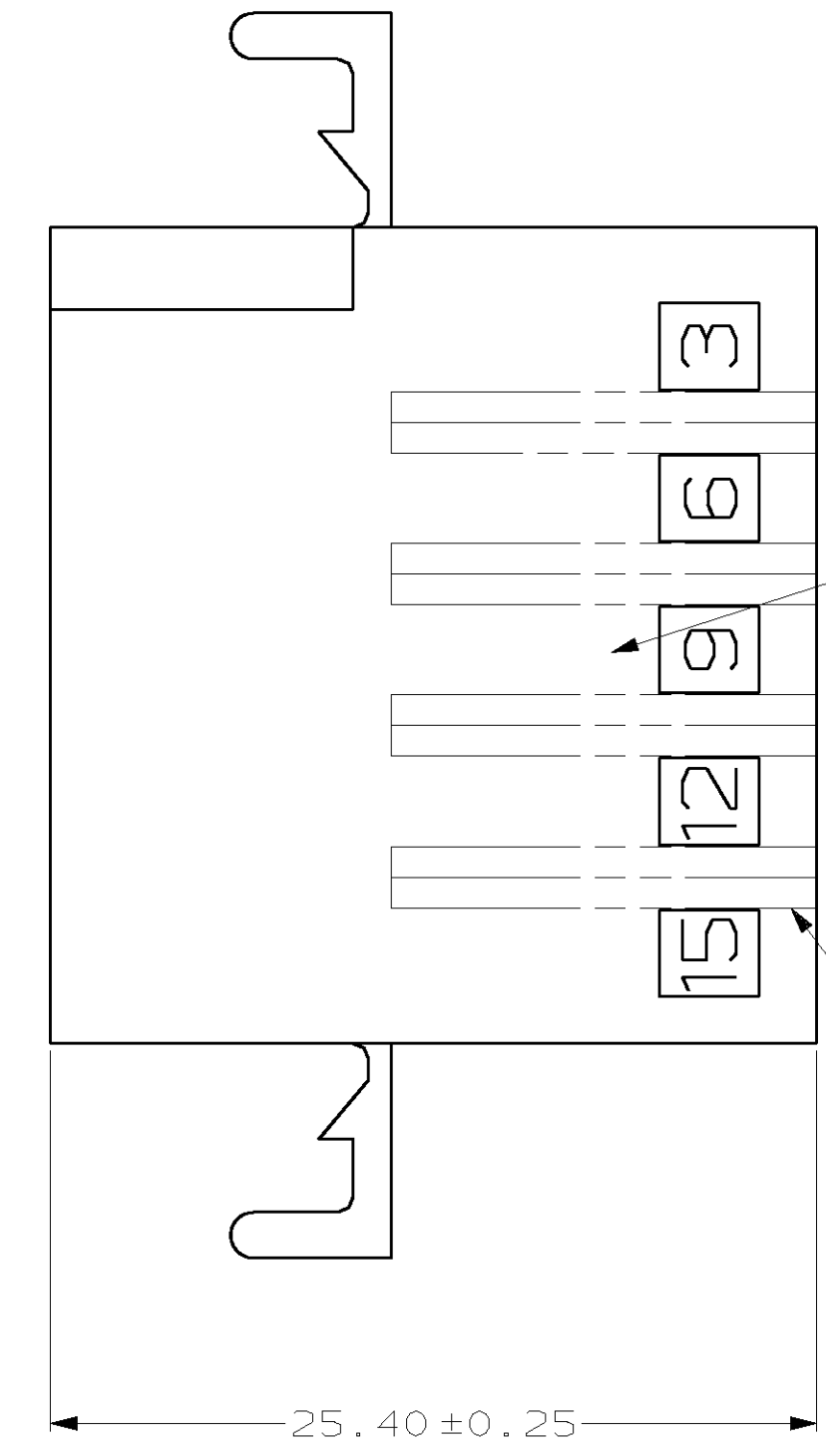
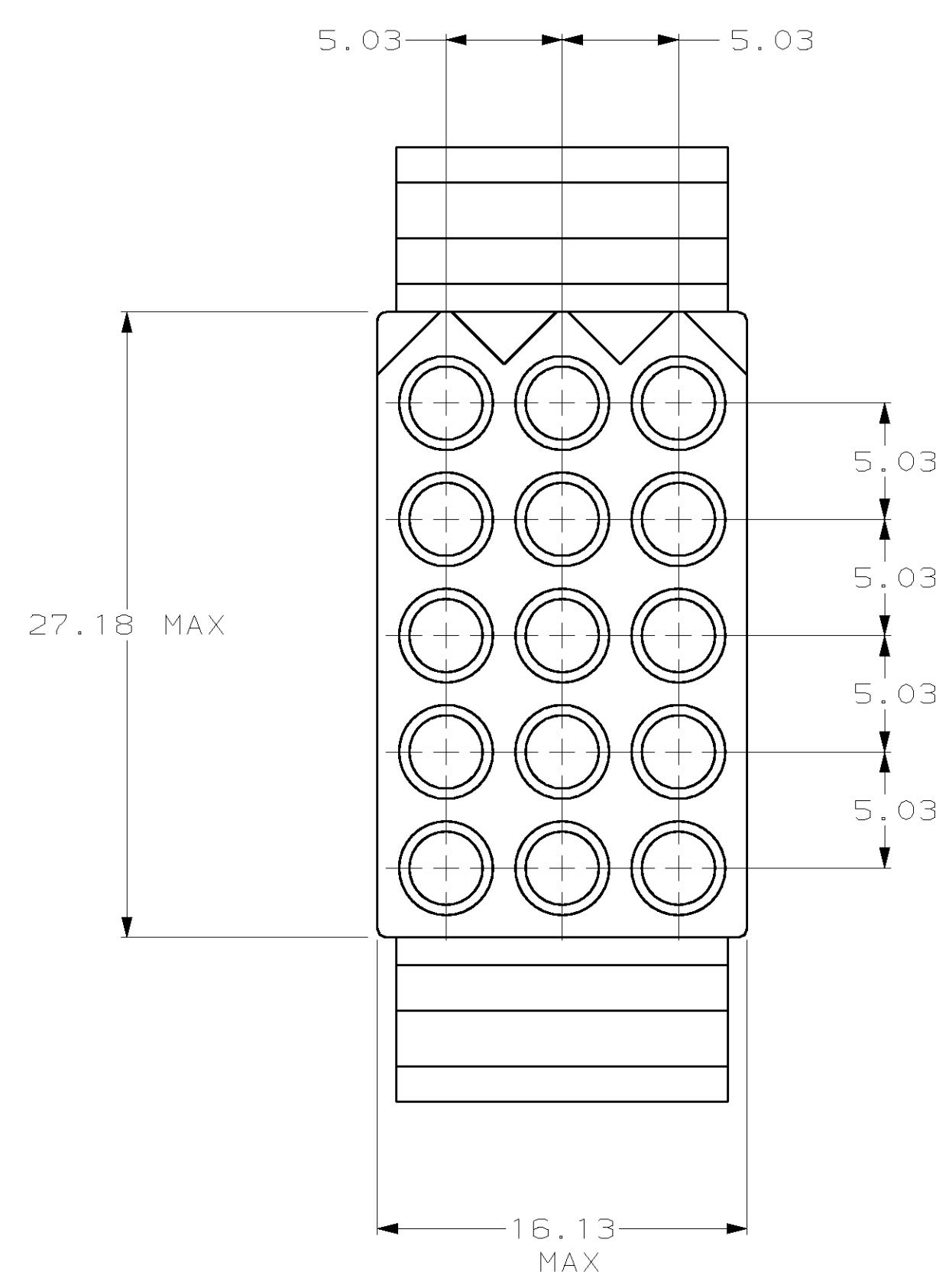
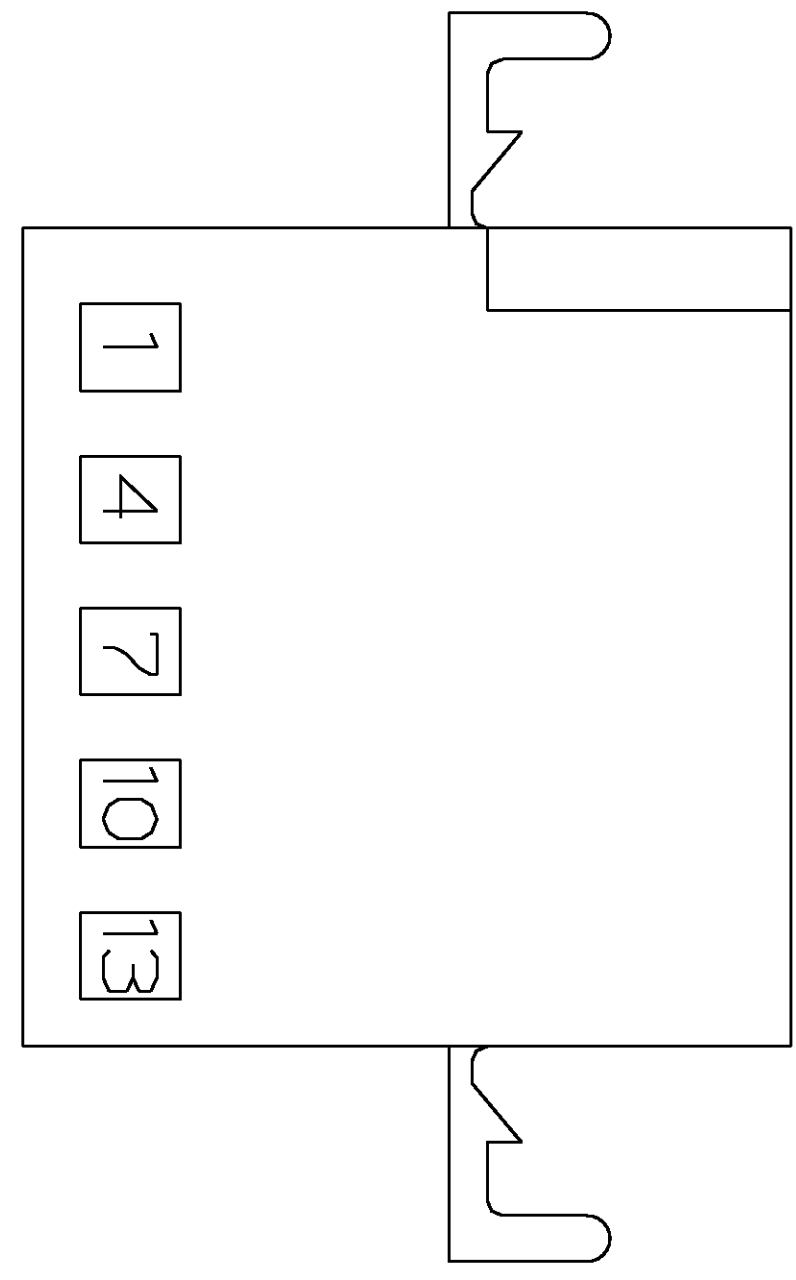
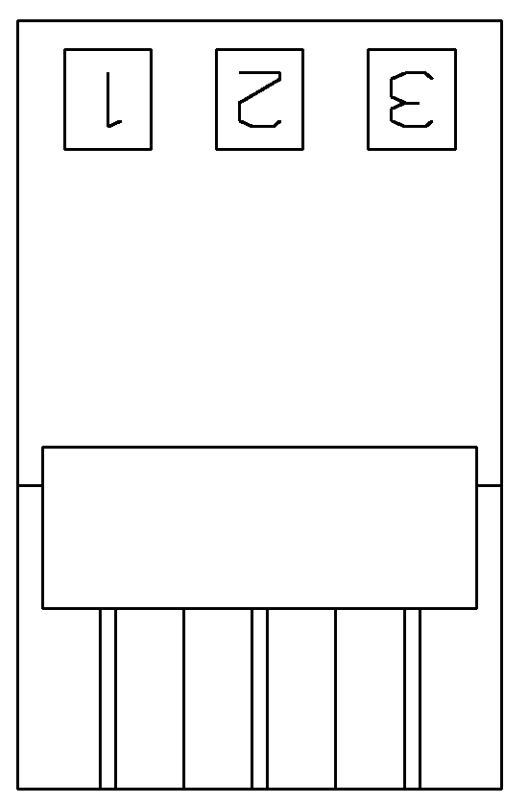
Email & Skype: info@chipsmall.com Web: www.chipsmall.com

Address: A1208, Overseas Decoration Building, #122 Zhenhua RD., Futian, Shenzhen, China

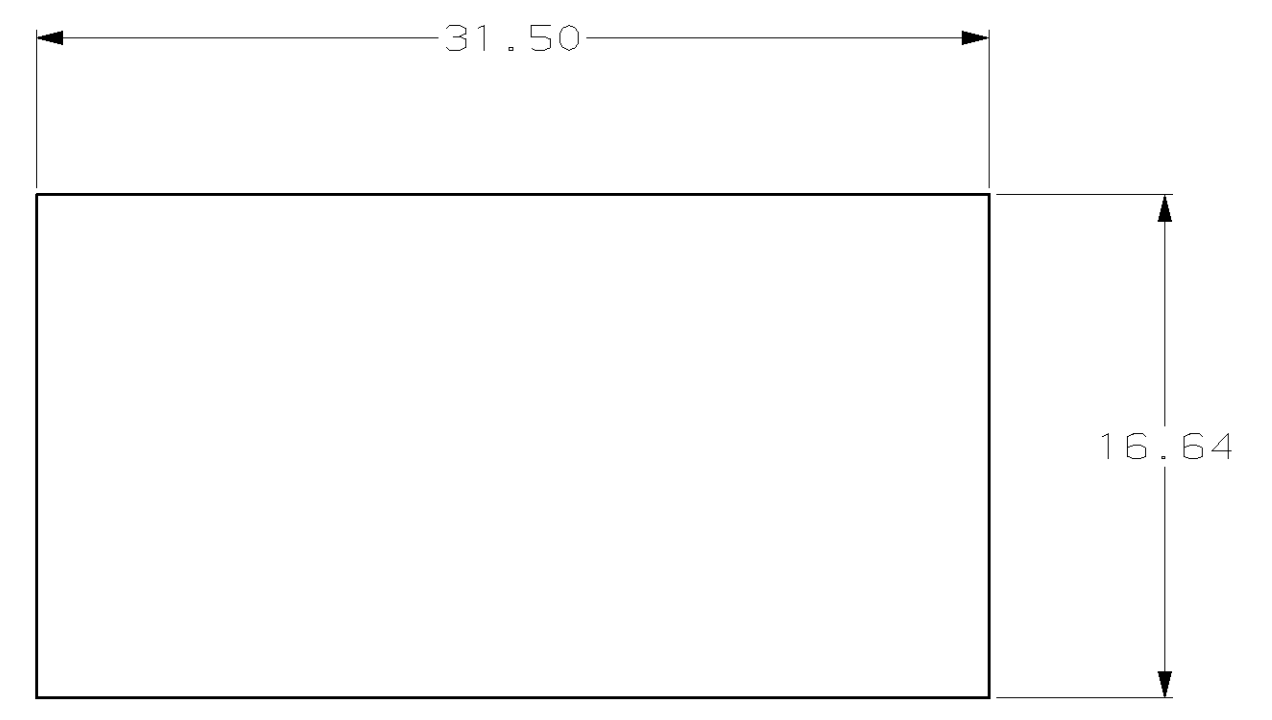
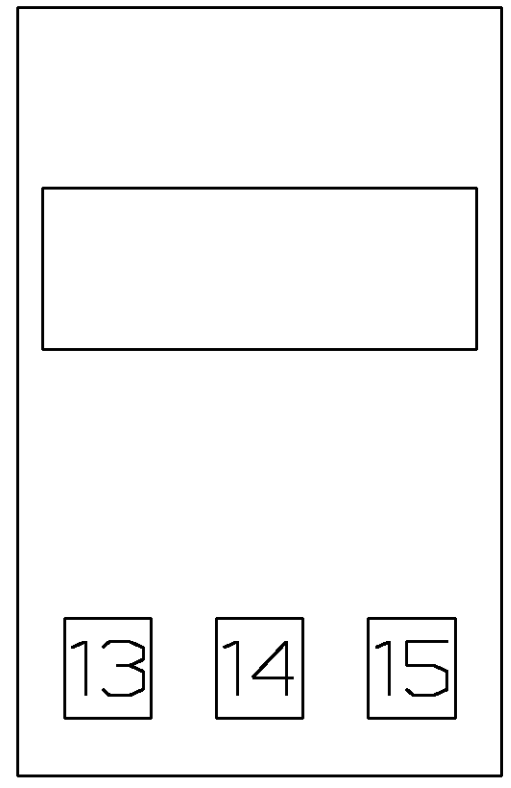


LOC	DIST	REVISIONS			
F	LTR	DESCRIPTION	DATE	OWN	APVD
G		REV & REDWN PER EC 0G1B-00B7-99	04-JUN-99	KW	J5

- 1. RECOMMENDED PANEL THICKNESS 2.29 MAX.
- 2. OPTIONAL CONSTRUCTION.
- 3. MARKING FOR UL LOGO AND CSA LOGO LOCATED APPROXIMATELY AS SHOWN.



3-DIMENSIONAL MODEL  
NTS



RECOMMENDED PANEL CUT OUT

16.13	.635	-	-
5.03	.198	41.28	1.625
2.36	.093	31.50	1.240
2.29	.090	27.18	1.070
0.38	.015	27.05	1.065
0.25	.010	25.40	1.000
0.13	.005	16.64	.655
MM	IN	MM	IN

CONVERSION TABLE



THIS DRAWING IS A CONTROLLED DOCUMENT.

DW	K. WHITAKER	04-JUN-1999	AMP Incorporated Harrisburg, PA 17105-3608			
CHK	J. SCHLUNZ	04-JUN-1999				
APVD	J. SCHLUNZ	04-JUN-1999				
NAME	RECEPTACLE, 15 CIRCUIT, .093 COMMERCIAL PIN AND SOCKET					
DIMENSIONS	TOLERANCES UNLESS OTHERWISE SPECIFIED:		SIZE	CAGE CODE	DRAWING NO	RESTRICTED TO
mm	0 PLC	±	A1	00779	770103	-
	1 PLC	±				
	2 PLC	±0.13				
	3 PLC	±				
	4 PLC	±				
	ANGLES	±				
MATERIAL	NYLON, JL 94V-2, NATURAL	FINISH	-	HEIGHT	-	
CUSTOMER DRAWING			SCALE	4:1	SHEET	1 OF 1

770103-1  
PART NUMBER