



Chipsmall Limited consists of a professional team with an average of over 10 year of expertise in the distribution of electronic components. Based in Hongkong, we have already established firm and mutual-benefit business relationships with customers from,Europe,America and south Asia,supplying obsolete and hard-to-find components to meet their specific needs.

With the principle of “Quality Parts,Customers Priority,Honest Operation,and Considerate Service”,our business mainly focus on the distribution of electronic components. Line cards we deal with include Microchip,ALPS,ROHM,Xilinx,Pulse,ON,Everlight and Freescale. Main products comprise IC,Modules,Potentiometer,IC Socket,Relay,Connector.Our parts cover such applications as commercial,industrial, and automotives areas.

We are looking forward to setting up business relationship with you and hope to provide you with the best service and solution. Let us make a better world for our industry!



Contact us

Tel: +86-755-8981 8866 Fax: +86-755-8427 6832

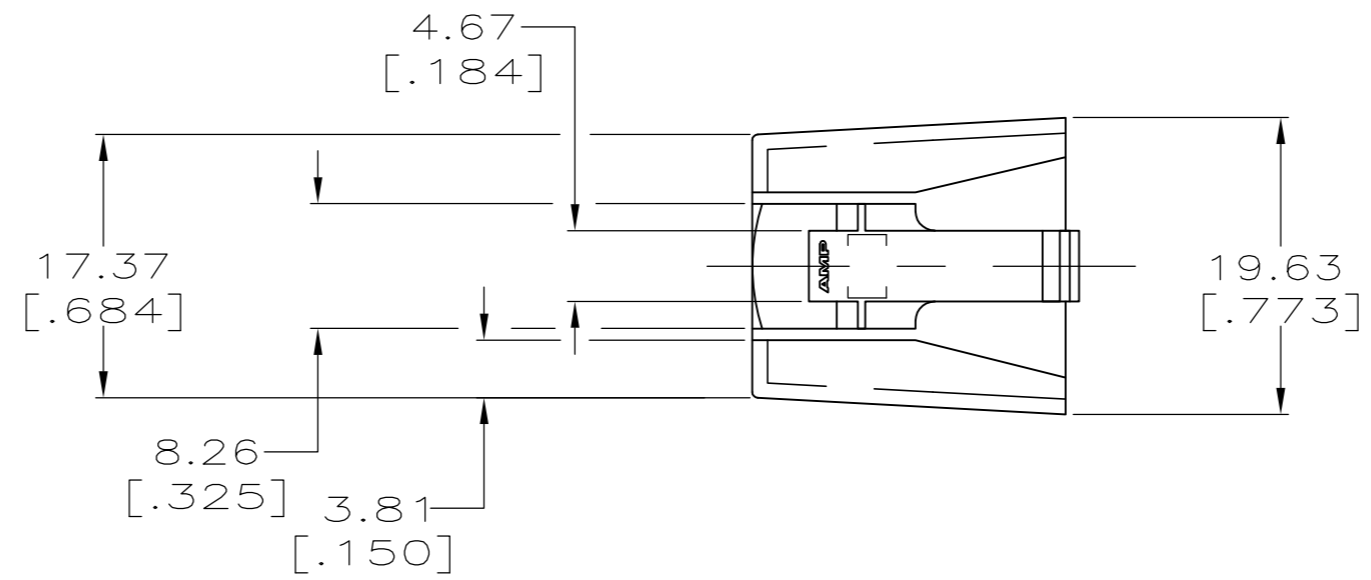
Email & Skype: info@chipsmall.com Web: www.chipsmall.com

Address: A1208, Overseas Decoration Building, #122 Zhenhua RD., Futian, Shenzhen, China

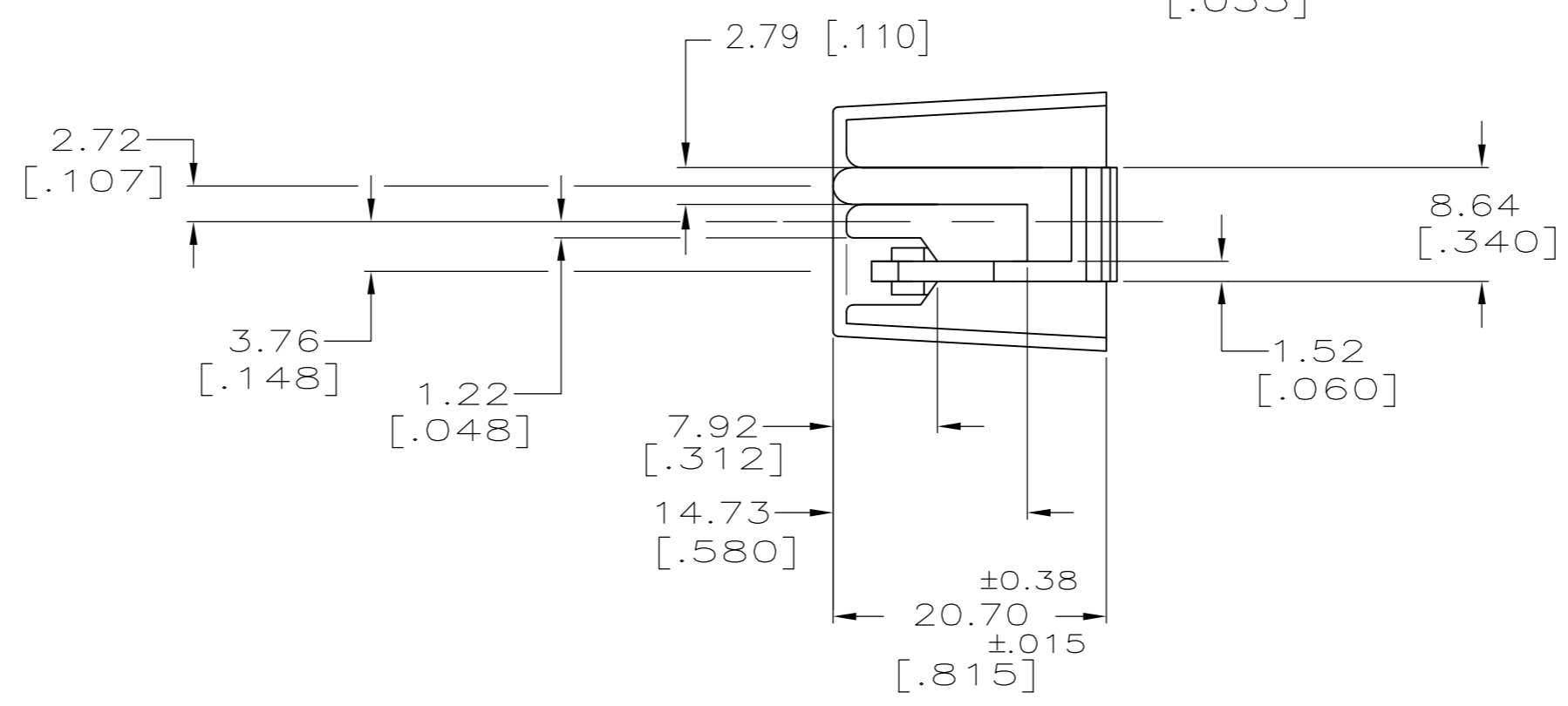
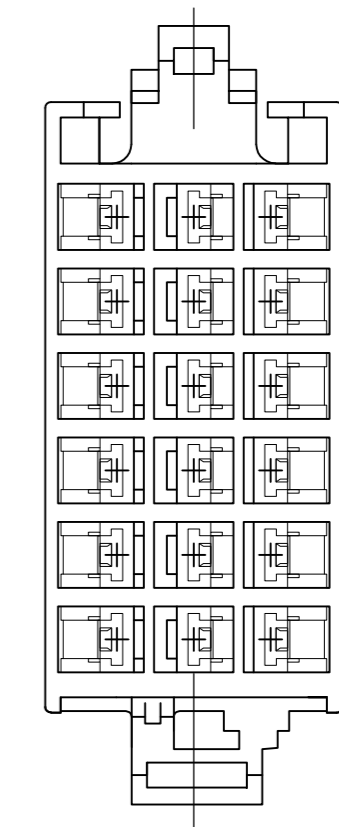
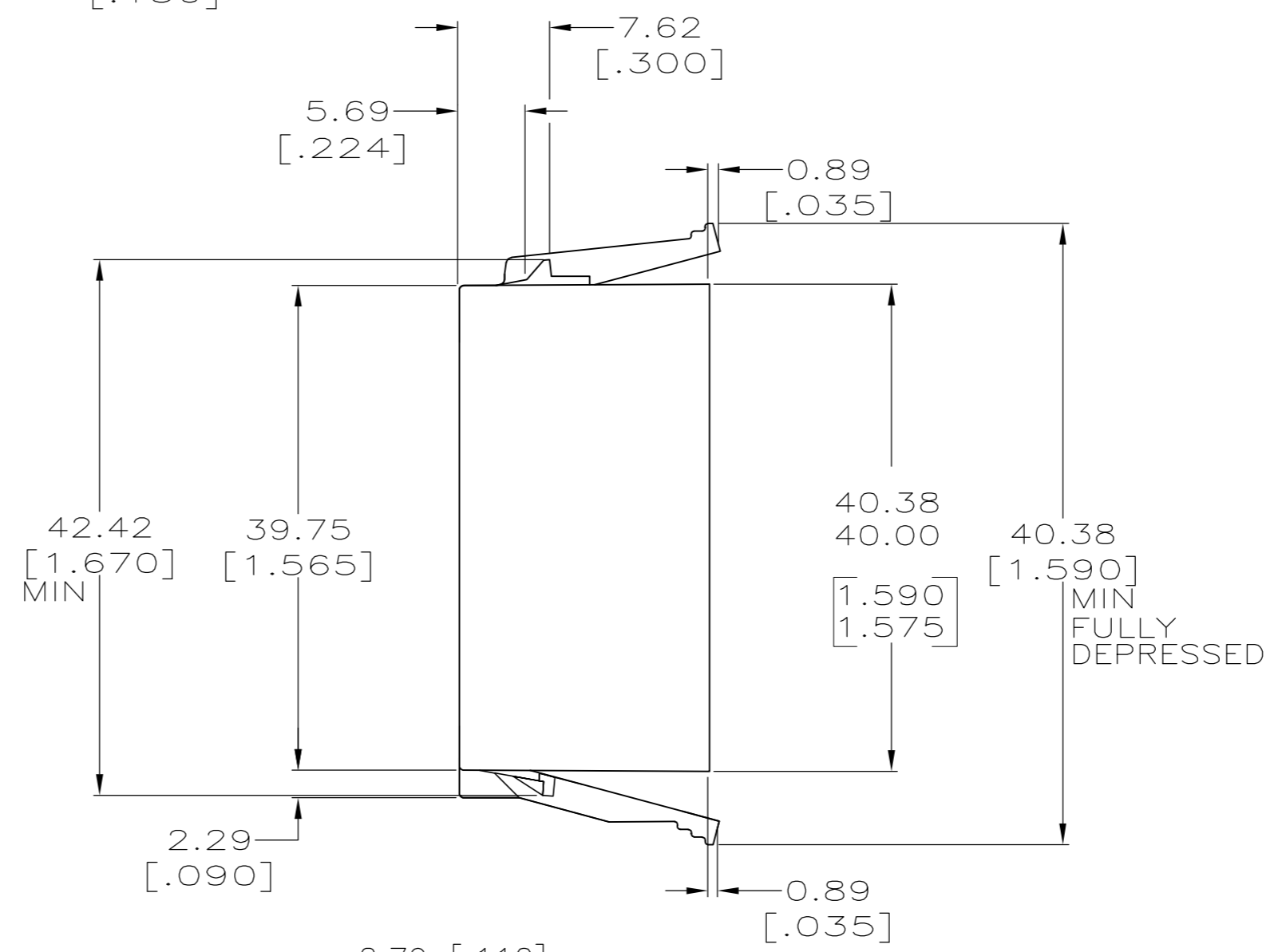
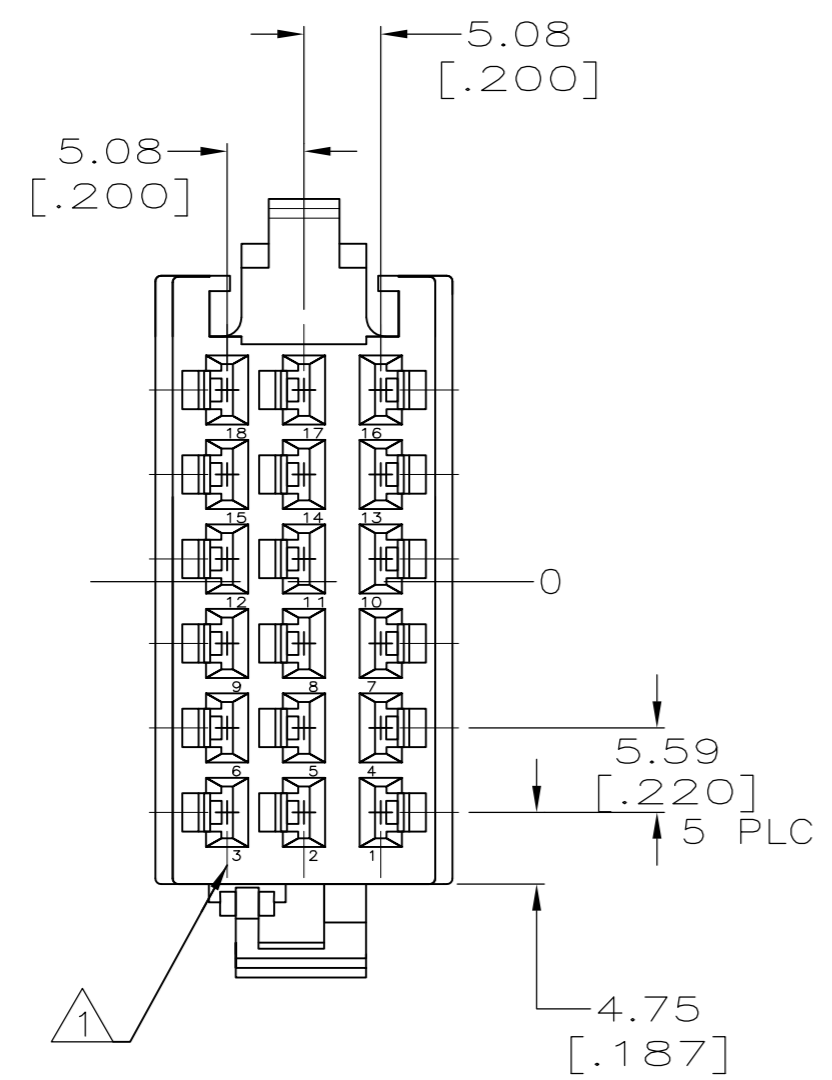


THIS DRAWING IS UNPUBLISHED. RELEASED FOR PUBLICATION
 © COPYRIGHT BY TYCO ELECTRONICS CORPORATION. ALL INTERNATIONAL RIGHTS RESERVED.

LOC	DIST	REVISIONS			
P	LTR	DESCRIPTION	DATE	DWN	APVD
AF	50	U1 REL PER ECR 08-017124	09JUL08	JR	DD



- 1 CIRCUIT IDENTIFICATION.
- 2 MATERIAL: 6/6 NYLON, COLOR NATURAL
- 3 MATERIAL: 6/66 NYLON, COLOR WHITE



3	770200-2
2	770200-1
PART NUMBER	

THIS DRAWING IS A CONTROLLED DOCUMENT.		DWN M.S. FEHER 10NOV2000	Tyco Electronics Corporation Harrisburg, PA 17105-3608	
DIMENSIONS: mm [INCHES]		CHK J.R. RUTH 10NOV2000		
TOLERANCES UNLESS OTHERWISE SPECIFIED:		APVD DON DECKER 10NOV2000	NAME HOUSING, LEFT HAND, 18 CIRCUIT, TIMER CONNECTOR	
0 PLC ± - 1 PLC ± - 2 PLC ± 0.25 [.010] 3 PLC ± - 4 PLC ± - ANGLES ± - FINISH SEE NOTES		PRODUCT SPEC -	RESTRICTED TO -	
MATERIAL SEE NOTES		APPLICATION SPEC -	SIZE A2	CAGE CODE 00779
		WEIGHT -	DRAWING NO C=770200	SCALE 2:1
		CUSTOMER DRAWING	SHEET 1 OF 1	REV U1