



Chipsmall Limited consists of a professional team with an average of over 10 year of expertise in the distribution of electronic components. Based in Hongkong, we have already established firm and mutual-benefit business relationships with customers from,Europe,America and south Asia,supplying obsolete and hard-to-find components to meet their specific needs.

With the principle of “Quality Parts,Customers Priority,Honest Operation,and Considerate Service”,our business mainly focus on the distribution of electronic components. Line cards we deal with include Microchip,ALPS,ROHM,Xilinx,Pulse,ON,Everlight and Freescale. Main products comprise IC,Modules,Potentiometer,IC Socket,Relay,Connector.Our parts cover such applications as commercial,industrial, and automotives areas.

We are looking forward to setting up business relationship with you and hope to provide you with the best service and solution. Let us make a better world for our industry!



Contact us

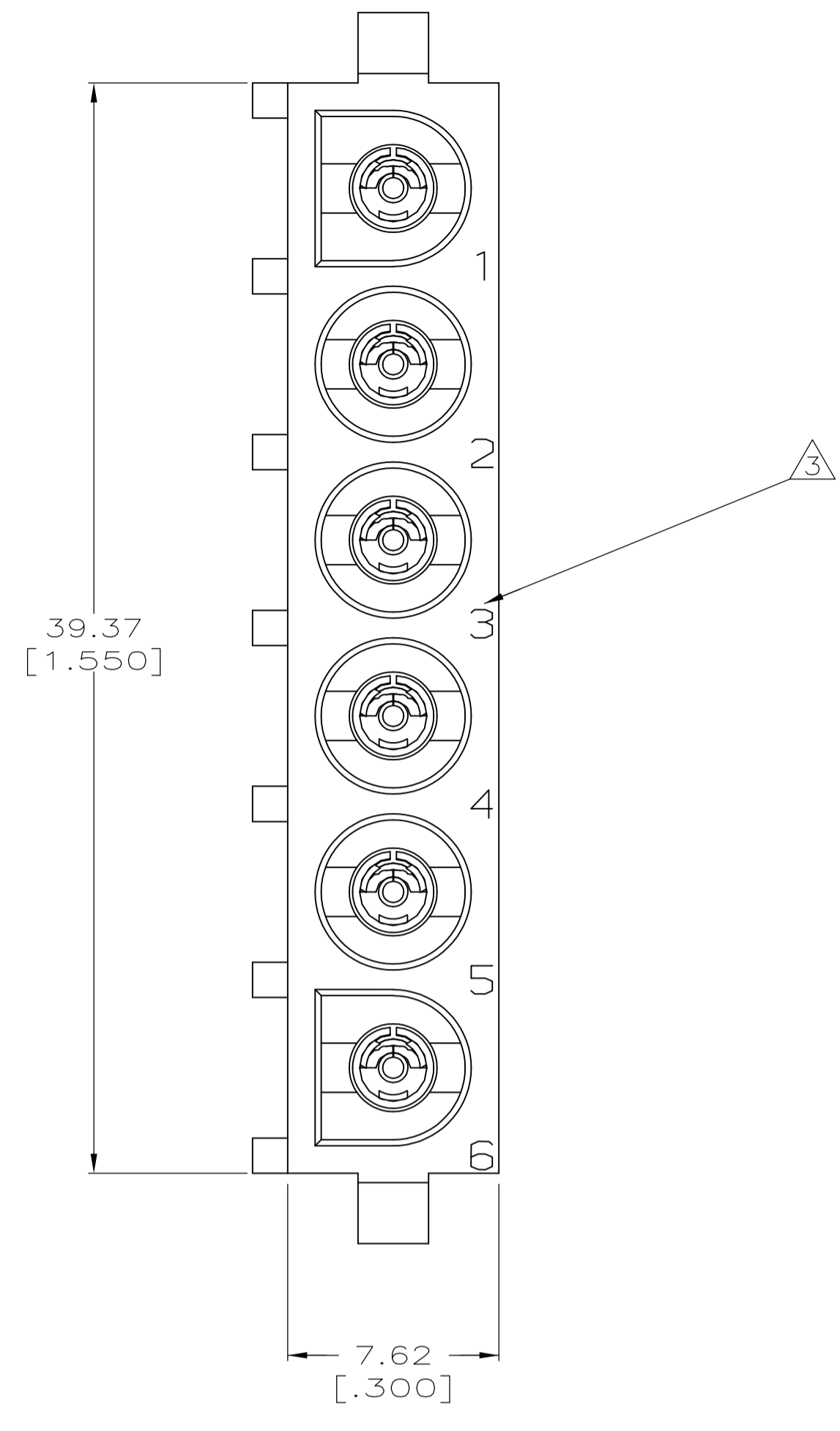
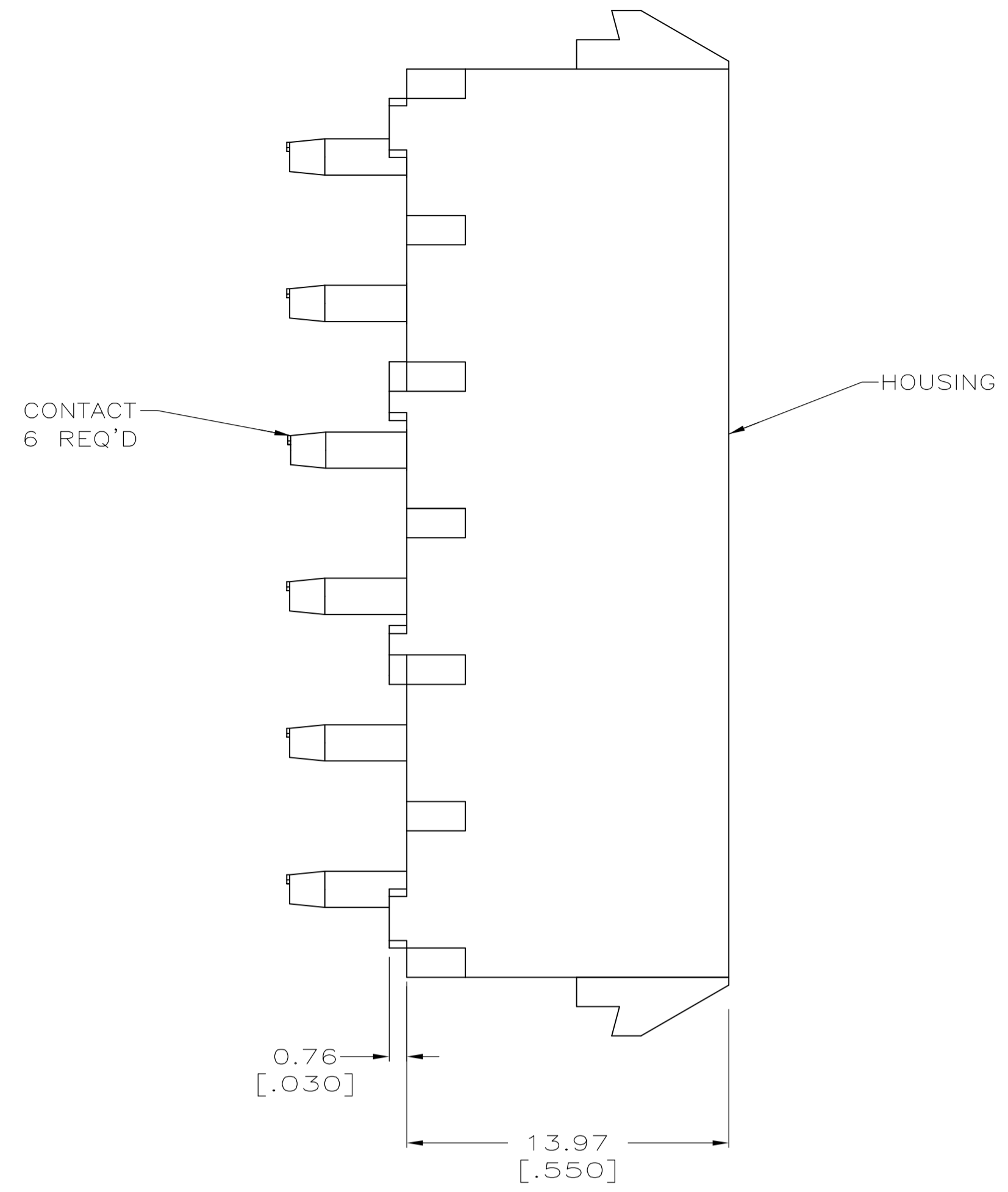
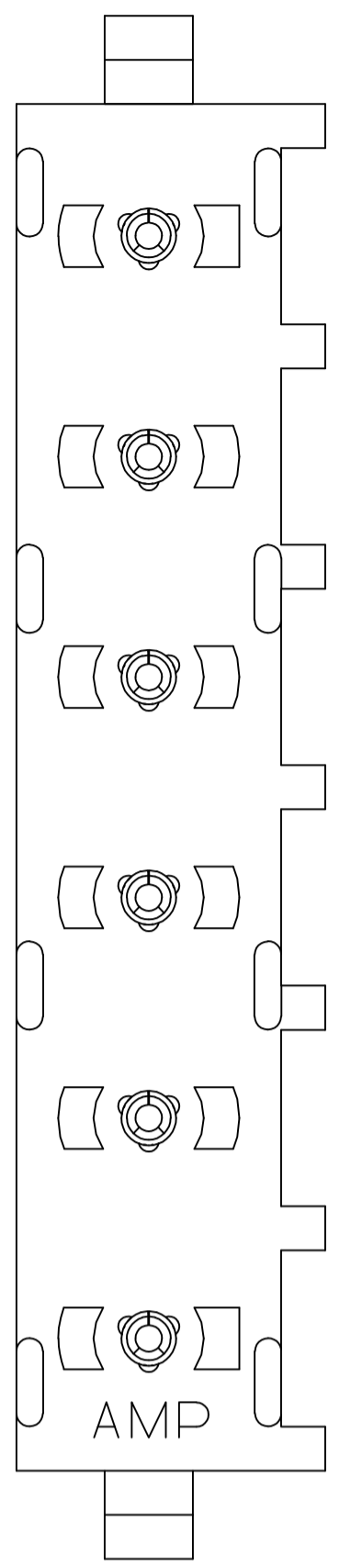
Tel: +86-755-8981 8866 Fax: +86-755-8427 6832

Email & Skype: info@chipsmall.com Web: www.chipsmall.com

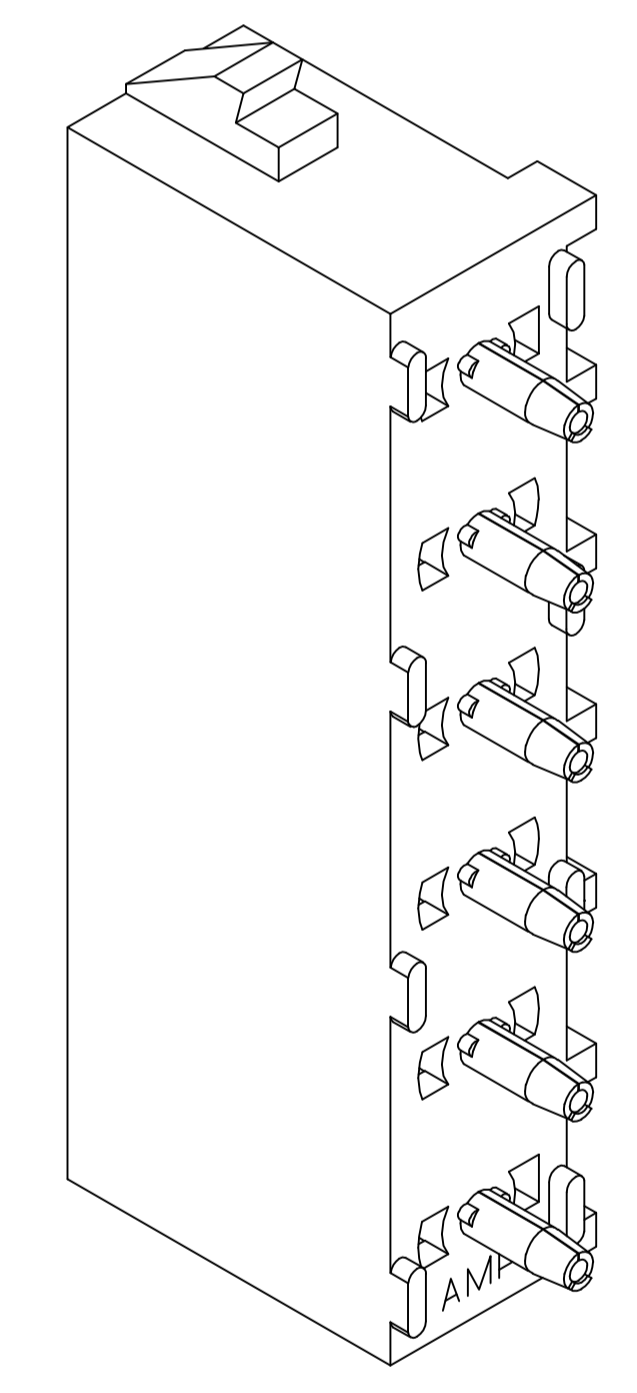
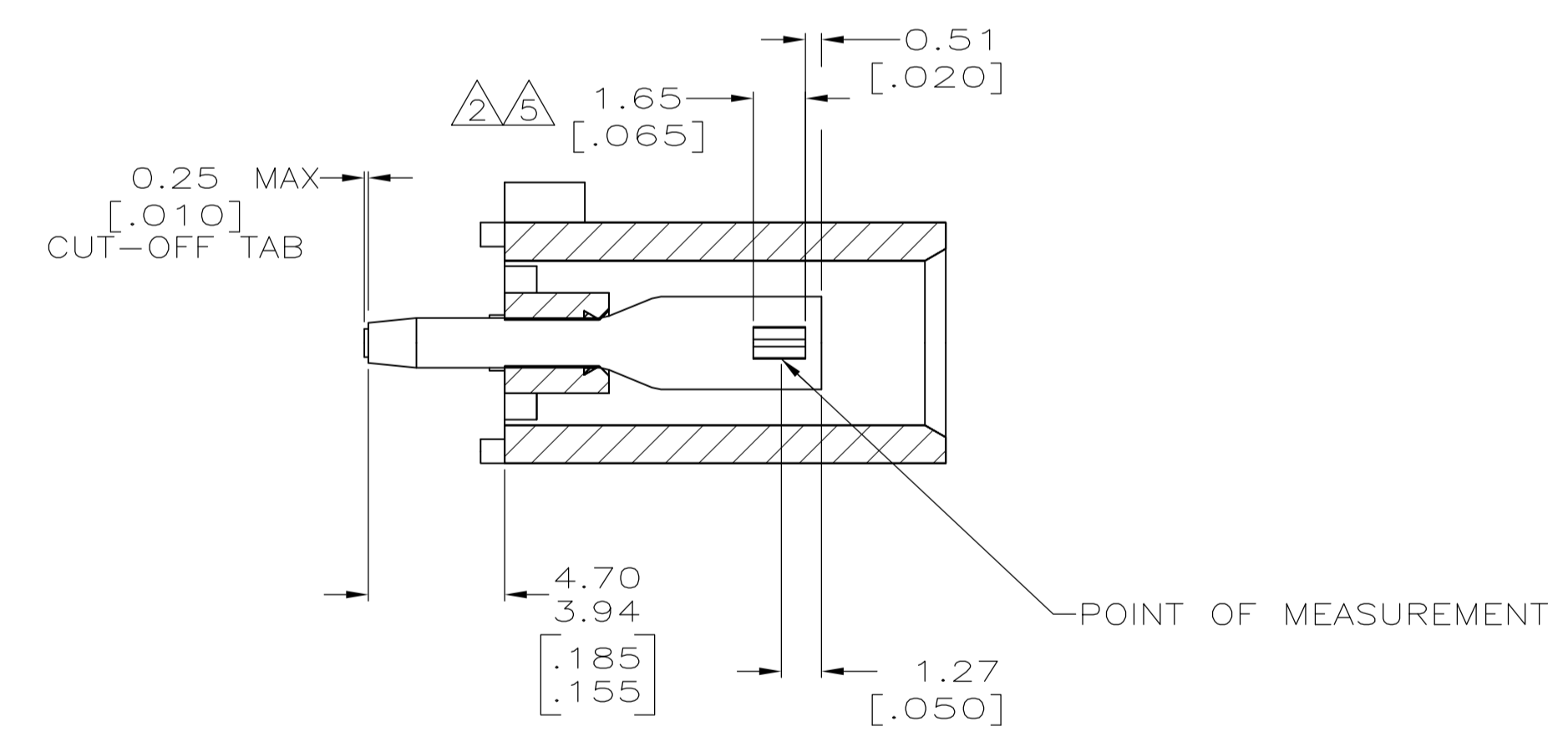
Address: A1208, Overseas Decoration Building, #122 Zhenhua RD., Futian, Shenzhen, China



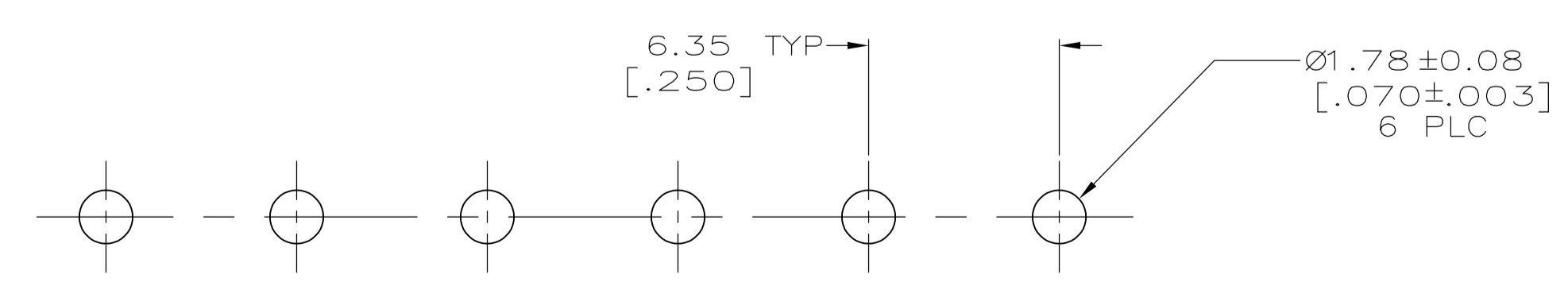
LOC		DIST		REVISIONS			
CM	00	F	LTR	DESCRIPTION	DATE	DW	APVD
		F1		REVISED PER ECR-12-011660	01FEB13	KH	TM



- 1 PARTS COMPLY TO AMP SOLDERABILITY SPECIFICATION 109-11-3.
- 2 CONTACT IS PLATED WITH 0.000127 [.000050] NICKEL, THEN 0.000076 [.000030] GOLD OVER CONTACT LENGTH INDICATED AND MATTE TIN LEAD ON SOLDER TAIL END.
- 3 CIRCUIT IDENTIFICATION CHARACTERS ARE ADJACENT TO THE INDICATED CAVITIES, BUT LOCATION AND ORIENTATION MAY DIFFER FROM PRINT.
- 4 DIMENSIONS IN BRACKETS ARE IN INCHES.
- 5 CONTACT IS PLATED WITH 0.000127 [.000050] NICKEL, THEN 0.000076 [.000030] GOLD OVER CONTACT LENGTH INDICATED AND MATTE TIN ON SOLDER TAIL END.
- 6 SUPERSEDED BY 770262-3



3-DIMENSIONAL MODEL
NTS



RECOMMENDED MOUNTING HOLE PATTERN
FOR 1.57 [.062] THICK P.C. BOARD

MATERIAL	FINISH	HOUSING MATERIAL	PART NUMBER
PHOSPHOR BRONZE, GOLD	5	NYLON,UL94V-0,WHITE	770262-3
PHOSPHOR BRONZE, GOLD	2	NYLON,UL94V-0,WHITE	770262-2
PHOSPHOR BRONZE, PRE-TIN		NYLON,UL94V-0,WHITE	770262-1

THIS DRAWING IS A CONTROLLED DOCUMENT.		DW: R. LEWIS 10-05-98	TE Connectivity
DIMENSIONS: mm [INCHES]		CHK: R. SWING 10-05-98	
TOLERANCES UNLESS OTHERWISE SPECIFIED:		APVD: M. TRULL 10-05-98	NAME: SOCKET HEADER ASSEMBLY, 6 CIRCUIT UNIVERSAL MATE-N-LOK™
0 PLC ± -		APPLICATION SPEC	SIZE: A1
1 PLC ± -			SCALE: 5:1
2 PLC ± 0.13 [.005]			SHEET 1 OF 1
3 PLC ± -			REV F1
4 PLC ± -			
ANGLES ± ± 0°30'			
MATERIAL SEE TABLE	FINISH SEE TABLE	WEIGHT: -	CUSTOMER DRAWING