



Chipsmall Limited consists of a professional team with an average of over 10 year of expertise in the distribution of electronic components. Based in Hongkong, we have already established firm and mutual-benefit business relationships with customers from,Europe,America and south Asia,supplying obsolete and hard-to-find components to meet their specific needs.

With the principle of “Quality Parts,Customers Priority,Honest Operation,and Considerate Service”,our business mainly focus on the distribution of electronic components. Line cards we deal with include Microchip,ALPS,ROHM,Xilinx,Pulse,ON,Everlight and Freescale. Main products comprise IC,Modules,Potentiometer,IC Socket,Relay,Connector.Our parts cover such applications as commercial,industrial, and automotives areas.

We are looking forward to setting up business relationship with you and hope to provide you with the best service and solution. Let us make a better world for our industry!



Contact us

Tel: +86-755-8981 8866 Fax: +86-755-8427 6832

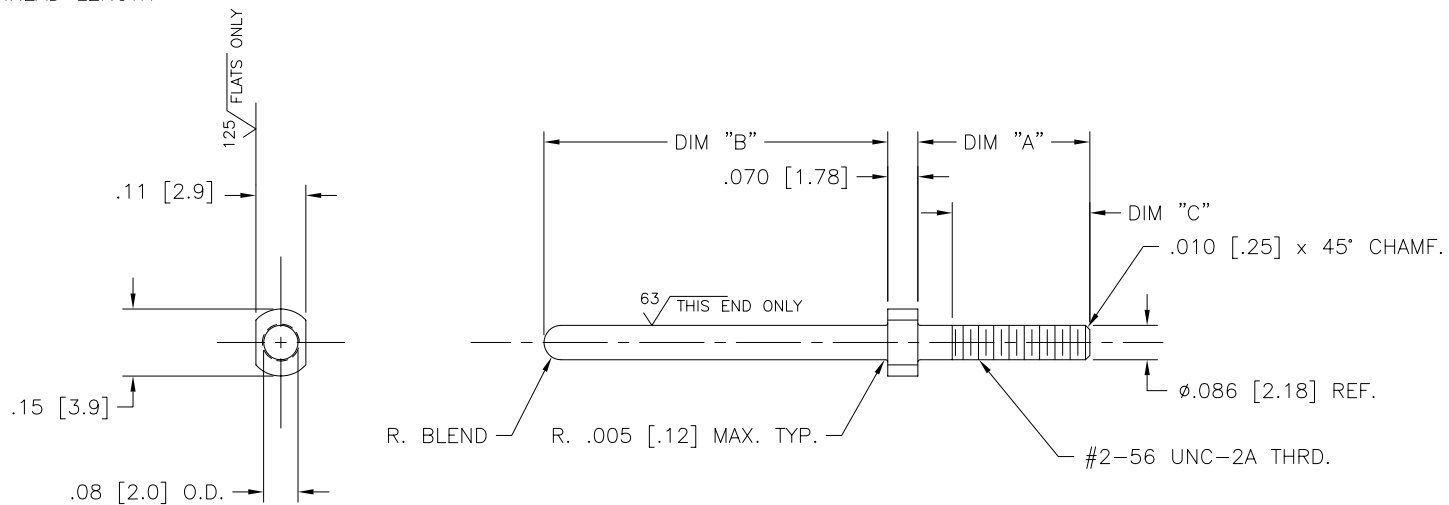
Email & Skype: info@chipsmall.com Web: www.chipsmall.com

Address: A1208, Overseas Decoration Building, #122 Zhenhua RD., Futian, Shenzhen, China



PRODUCT NO. NOTE 8	DIM "A"	DIM "B"	MATERIAL	DIM "C"*	SHEET NO.	APPLICATION NOTES
77031-102 77031-102LF	.37/9.5	.585/14.86	STAINLESS STEEL AISI 430 or 416	.320/8.13	SEE SHT. 2	3
77031-103 77031-103LF	.50/12.7	.585/14.86		.320/8.13	SEE SHT. 3	4
77031-106 77031-106LF	.43/10.9	.585/14.86		.320/8.13	SEE SHT. 4	5
77031-113 77031-113LF	.75/19.1	.585/14.86		.320/8.13	SEE SHT. 5	6 AND 7

* MINIMUM THREAD LENGTH

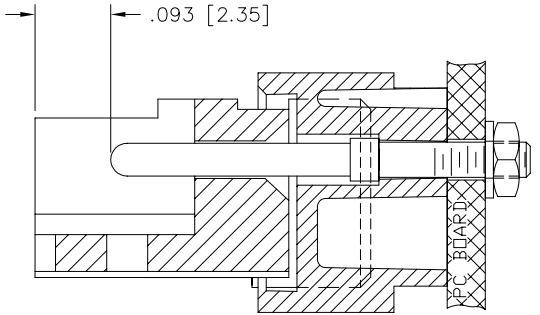
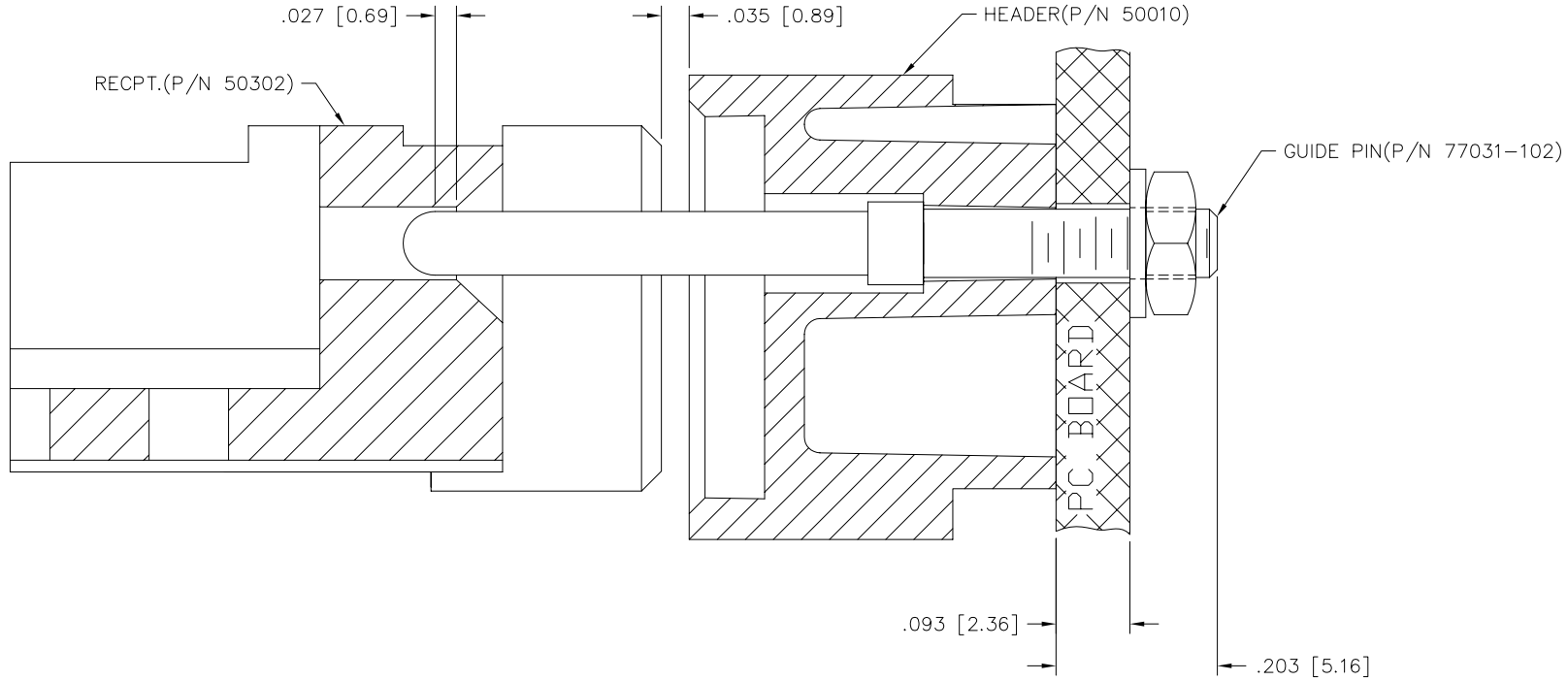


NOTES:

- MECHANICAL GUIDANCE ONLY.
- GUIDE PIN IS .027 [.68] LONGER THAN WHAT IS REQUIRED TO ALIGN CONNECTORS WHEN HOUSING FACES ARE .035 [.88] APART.
- SHROUD CAN'T BE USED WITH THIS GUIDE PIN.
- GUIDE PIN MAY BE USED WITH A SHROUD OR SCREWED TO A .187 [4.74] PCB.
- GUIDE PIN MAY BE USED WITH...
... SHROUD AND .125 [3.17] PCB.
... NUT, WASHER, AND .125 [3.17] PCB.
- GUIDE PIN MAY USE SHROUD OR SCREW.
APPLICATION MAY USE MOUNTING FRAME.
- MAXIMUM STACK IS .480 [12.20].
- ADD AN LF SUFFIX TO PART NUMBERS FOR PRODUCT THAT MEETS EUROPEAN UNION DIRECTIVES AND OTHER COUNTRY REGULATIONS AS DESCRIBED IN GS-22-008.
- THIS PRODUCT IS NOT INTENDED TO BE EXPOSED TO MANUFACTURING SOLDER PROCESSES.

mat'l. code		surface		tolerance		projection		product family	
SEE TABLE		ISO 1302 ✓		ISO 406		ISO 1101		HPC	
ltr	ecm	no	dr	date	tolerances unless otherwise specified		title		
D	V20385	MRC		3/27/92	angles	.XX±.01/.3	INCH/MM		
E	V32128	GIP		11/18/93	linear	.xxx±.005/.13	CENTER GUIDE PIN		
F	v00717	LSS		3/22/00	0'±2'	.xxxx±.0020/.05	scale 1:1		
G	v05-0964	HTB		10/18/05	dr	LSANDERS	3/22/00		
H	M06-0260	MHT		7/07/06	enr	M.GRAY	3/22/00		
					chr	M.GRAY	3/22/00		
					appd	M.GRAY	3/22/00		
sheet	revision	H	H	H	H	H	FCJ		
index	sheet	1	2	3	4	5	type Product Customer Drawing		

PRODUCT NO.
77031-102

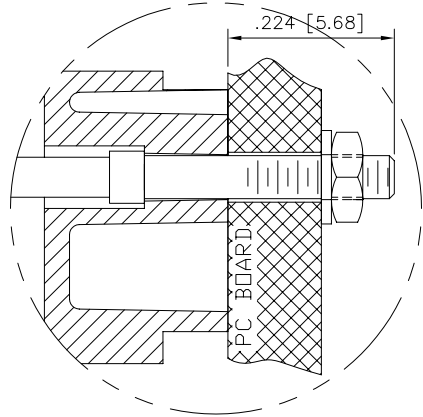
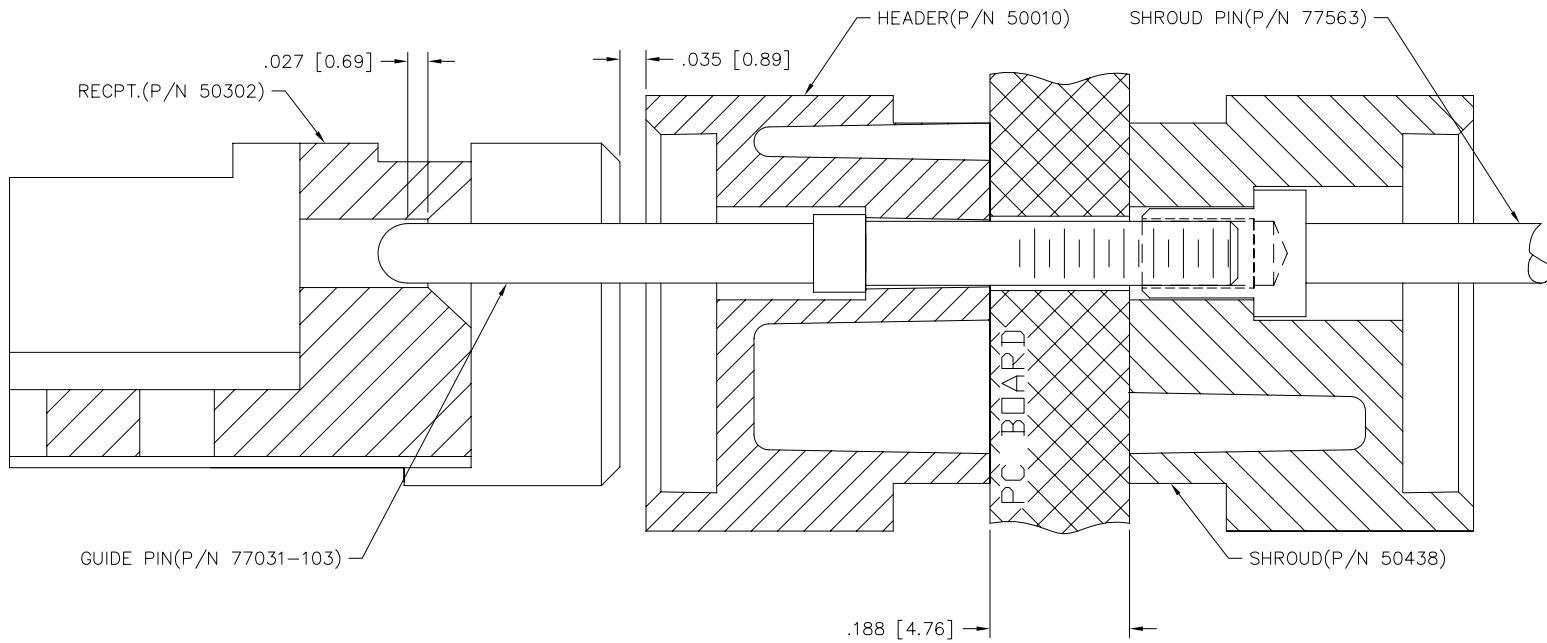


HOUSINGS FULLY MATED
(SCALE 20:1)

mat'l. code		surface		tolerance		projection		product family		
SEE TABLE		ISO 1302 ✓		ISO 406		ISO 1101		HPC		
ltr	ecn	no	dr	date	tolerances unless otherwise specified				title	
H					angles	linear	.XX±.01/.3	INCH/MM		
					0°±2'		.xxx±.005/.13	CENTER GUIDE PIN		
							.xxx±.0020/.051	scale 1:1		
			dr	LSANDERS	3/22/00				dwg no	
			enr	M.GRAY	3/22/00				sheet 2 of 5	
			chr	M.GRAY	3/22/00				77031	
			appd	M.GRAY	3/22/00				A3	
sheet index		revision sheet						type		
								Product Customer Drawing		

Copyright FCJ
 FCJconnect.com

PRODUCT NO
77031-103

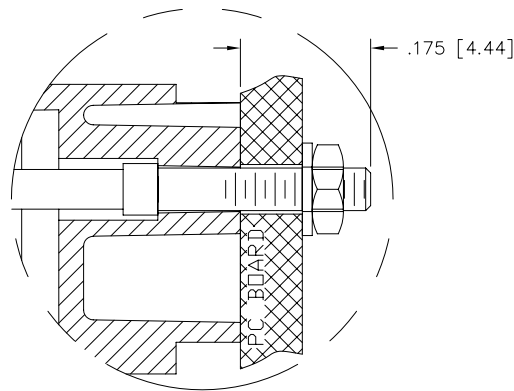
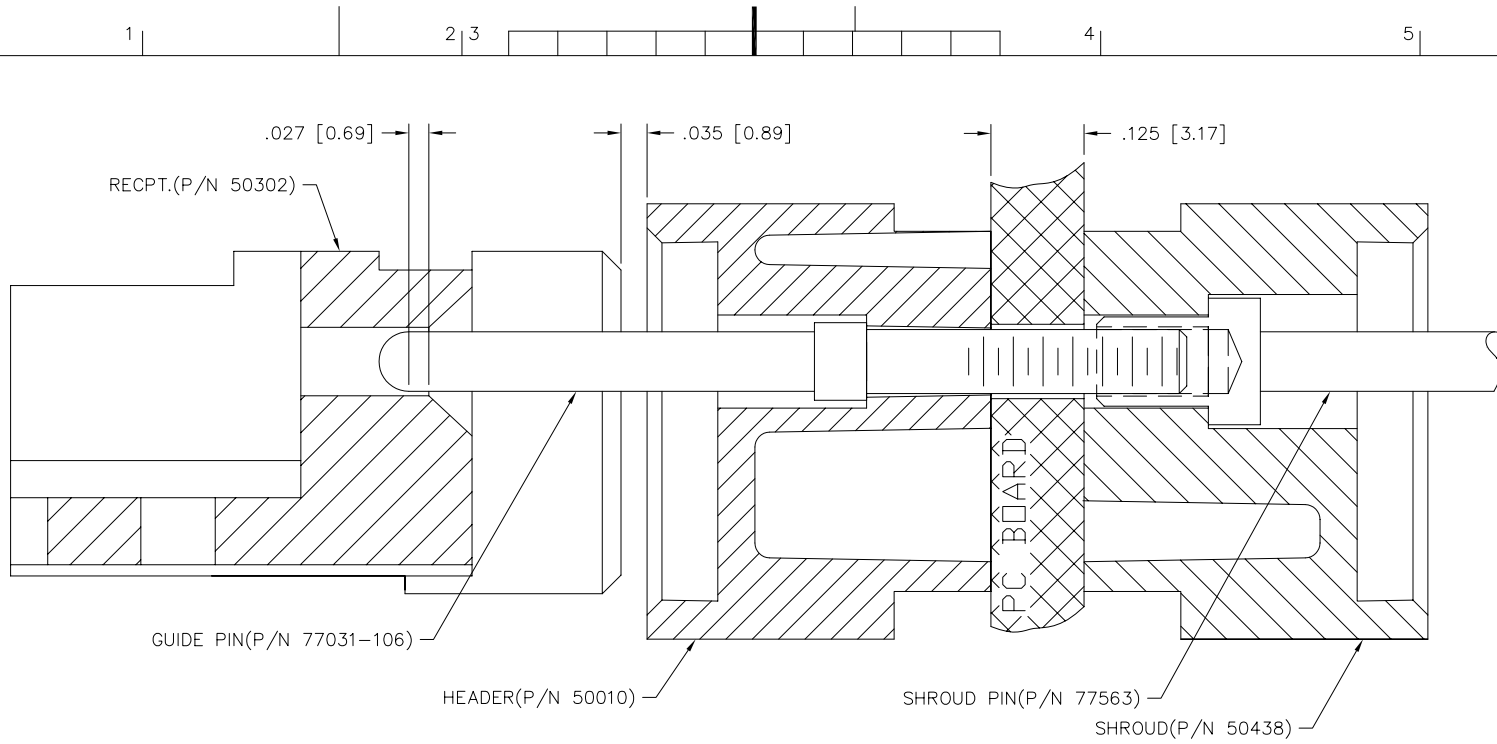


BOARD MOUNTED OPTION
(SCALE 30:1)

mat'l. code SEE TABLE		surface ISO 1302 ✓	tolerance ISO 406 ISO 1101	projection ASME	product family HPC
ltr	ecn	no	dr	date	tolerances unless otherwise specified
H					angles linear .xx±.01/.3 .xxx±.005/.13 .xxx±.0020/.051
					INCH/MM
					scale 1:1
dr		LSANDERS	3/22/00		
enr		M.GRAY	3/22/00		
chr		M.GRAY	3/22/00		
appd		M.GRAY	3/22/00		
sheet index	revision sheet				title CENTER GUIDE PIN dwg no 77031 sheet 3 of 5 size A3 type Product Customer Drawing

Copyright FCJ
 FCJconnect.com

PRODUCT NO
77031-106



SCREW MOUNTED OPTION
(SCALE 30:1)

mat'l. code SEE TABLE		surface ISO 1302 ✓	tolerance ISO 406 ISO 1101	projection ⊕	product family HPC
ltr	ecn no	dr	date	tolerances unless otherwise specified	title CENTER GUIDE PIN
H				angles linear 0°±2'	INCH/MM scale 1:1
				.XX±.01/.3 .XXX±.005/.13 .XXXX±.0020/.051	dwg no 77031
		dr	LSANDERS	3/22/00	sheet 4 of 5 size A3
		enr	M.GRAY	3/22/00	FCJ type Product Customer Drawing
		chr	M.GRAY	3/22/00	
		appd	M.GRAY	3/22/00	
sheet index	revision sheet				

PRODUCT NO
77031-113

GUIDE PIN(P/N 77031-113)

HEADER(P/N 50010)

RECPT.(P/N 50302)

.027 [0.69]

.035 [0.89]

.583 [14.81]
MAX. STACK

PC BOARD

MOUNTING
FRAME



Copyright FCI

mat'l. code SEE TABLE		surface ISO 1302 ✓	tolerance ISO 406 ISO 1101	projection ⊕	product family HPC
ltr	ecn no	dr	date	tolerances unless otherwise specified	title
H				angles linear 0°±2'	INCH/MM CENTER GUIDE PIN
				.xx±.01/.3 .xxx±.005/.13 .xxxx±.0020/.051	scale 1:1
		dr	LSANDERS	3/22/00	
		enr	M.GRAY	3/22/00	
		chr	M.GRAY	3/22/00	
		appd	M.GRAY	3/22/00	
sheet index	revision sheet				dwg no 77031 sheet 5 of 5 size A3 type Product Customer Drawing

form: A3