



Chipsmall Limited consists of a professional team with an average of over 10 year of expertise in the distribution of electronic components. Based in Hongkong, we have already established firm and mutual-benefit business relationships with customers from,Europe,America and south Asia,supplying obsolete and hard-to-find components to meet their specific needs.

With the principle of “Quality Parts,Customers Priority,Honest Operation,and Considerate Service”,our business mainly focus on the distribution of electronic components. Line cards we deal with include Microchip,ALPS,ROHM,Xilinx,Pulse,ON,Everlight and Freescale. Main products comprise IC,Modules,Potentiometer,IC Socket,Relay,Connector.Our parts cover such applications as commercial,industrial, and automotives areas.

We are looking forward to setting up business relationship with you and hope to provide you with the best service and solution. Let us make a better world for our industry!



Contact us

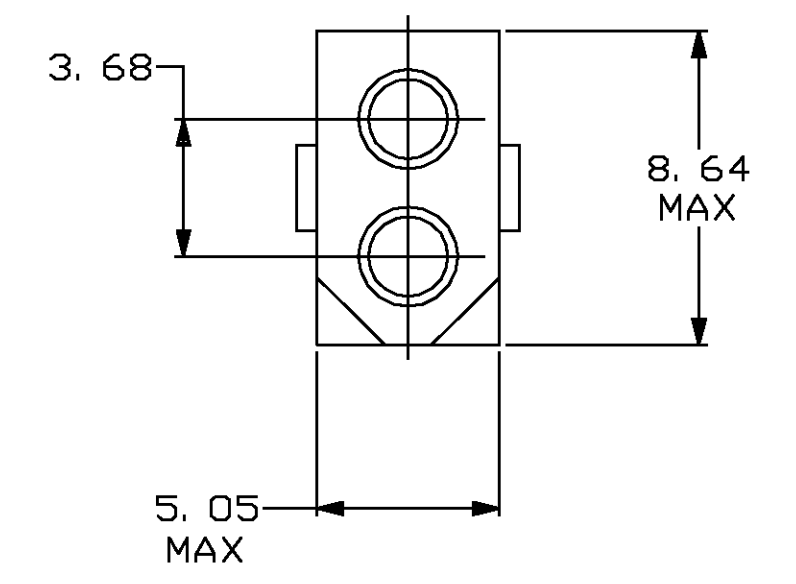
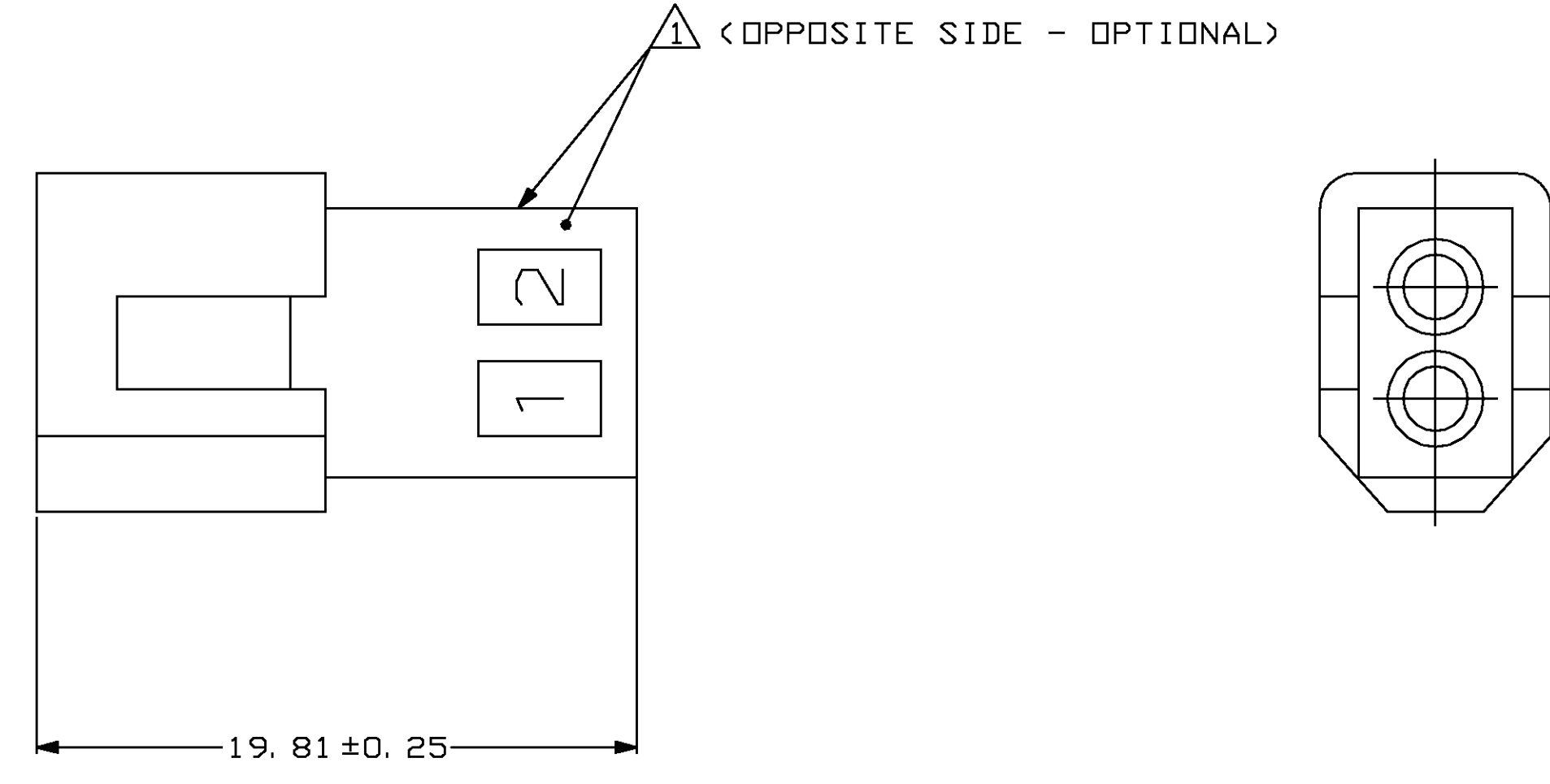
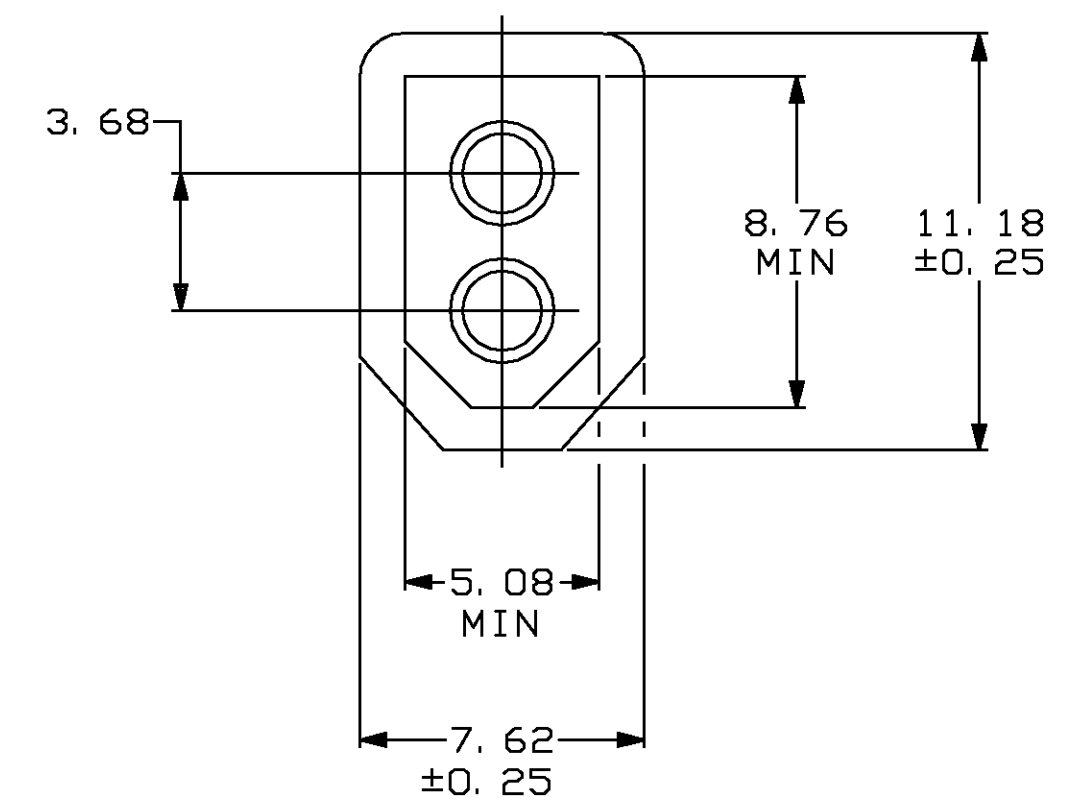
Tel: +86-755-8981 8866 Fax: +86-755-8427 6832

Email & Skype: info@chipsmall.com Web: www.chipsmall.com

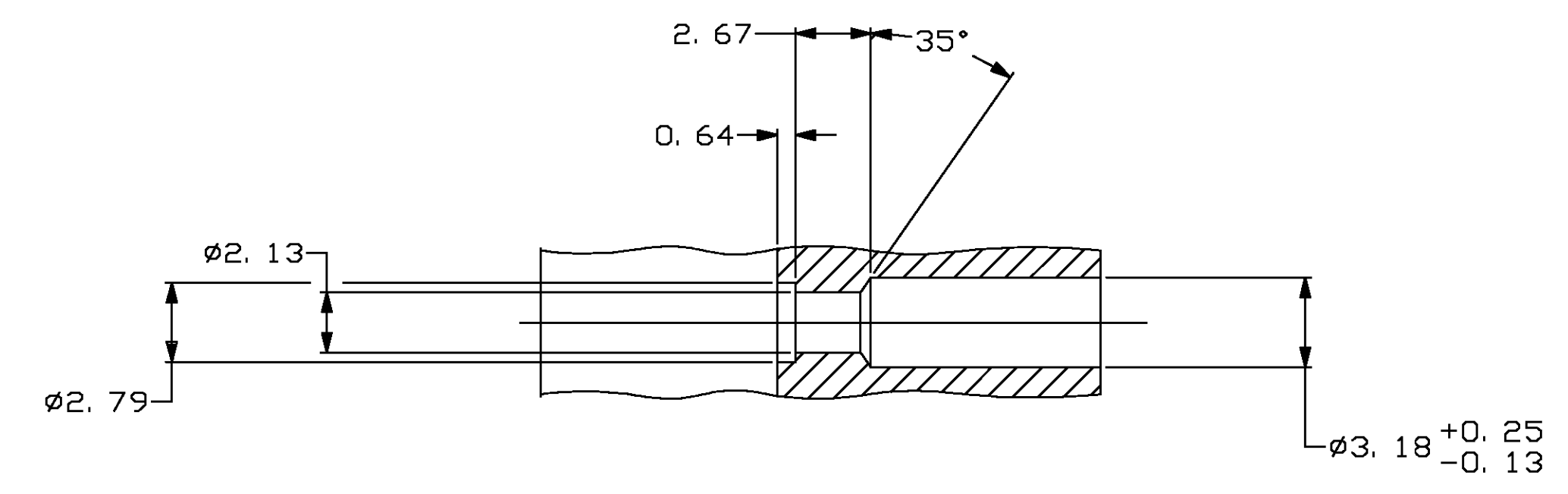
Address: A1208, Overseas Decoration Building, #122 Zhenhua RD., Futian, Shenzhen, China



△ AMP LOGO AND CAVITY NUMBER LOCATED ON EITHER SURFACE.



MATING CONNECTOR INTERFACE



TYPICAL PLUG CAVITY SECTION
(DIMENSIONS REFERENCE ONLY)

2.67	.105	5.08	.200	19.81	.780
2.13	.084	5.05	.199	11.18	.440
0.64	.025	3.68	.145	8.76	.345
0.25	.010	3.18	.125	8.64	.340
0.13	.005	2.79	.110	7.62	.300
MM	IN	MM	IN	MM	IN

CONVERSION TABLE

METRIC

THIS DRAWING IS A CONTROLLED DOCUMENT.		DWG	L. McEACHIN, Sr.	30MAY00
		CHK	S. RIDGILL	30MAY00
		APVD	S. RIDGILL	30MAY00
DIMENSIONS: MM		NAME		
TOLERANCES UNLESS OTHERWISE SPECIFIED:		S. RIDGILL		
0 PLC ± -		PRODUCT SPEC		
1 PLC ± -		APPLICATION SPEC		
2 PLC ± -		WEIGHT		
3 PLC ± 0.13		SIZE		
4 PLC ± -		CAGE CODE		
ANGLES ± -		DRAWING NO		
FINISH		RESTRICTED TO		
MATERIAL: NYLON, UL 94V-2		A1 00779 C=770340		
CUSTOMER DRAWING		SCALE 5:1 SHEET 1 OF 1 REV G1		

BLACK	770340-3
NATURAL	770340-1
COLOR	PART NO



PLUG, 2 CIRCUIT,
.062 PIN AND SOCKET