



Chipsmall Limited consists of a professional team with an average of over 10 year of expertise in the distribution of electronic components. Based in Hongkong, we have already established firm and mutual-benefit business relationships with customers from,Europe,America and south Asia,supplying obsolete and hard-to-find components to meet their specific needs.

With the principle of “Quality Parts,Customers Priority,Honest Operation,and Considerate Service”,our business mainly focus on the distribution of electronic components. Line cards we deal with include Microchip,ALPS,ROHM,Xilinx,Pulse,ON,Everlight and Freescale. Main products comprise IC,Modules,Potentiometer,IC Socket,Relay,Connector.Our parts cover such applications as commercial,industrial, and automotives areas.

We are looking forward to setting up business relationship with you and hope to provide you with the best service and solution. Let us make a better world for our industry!



Contact us

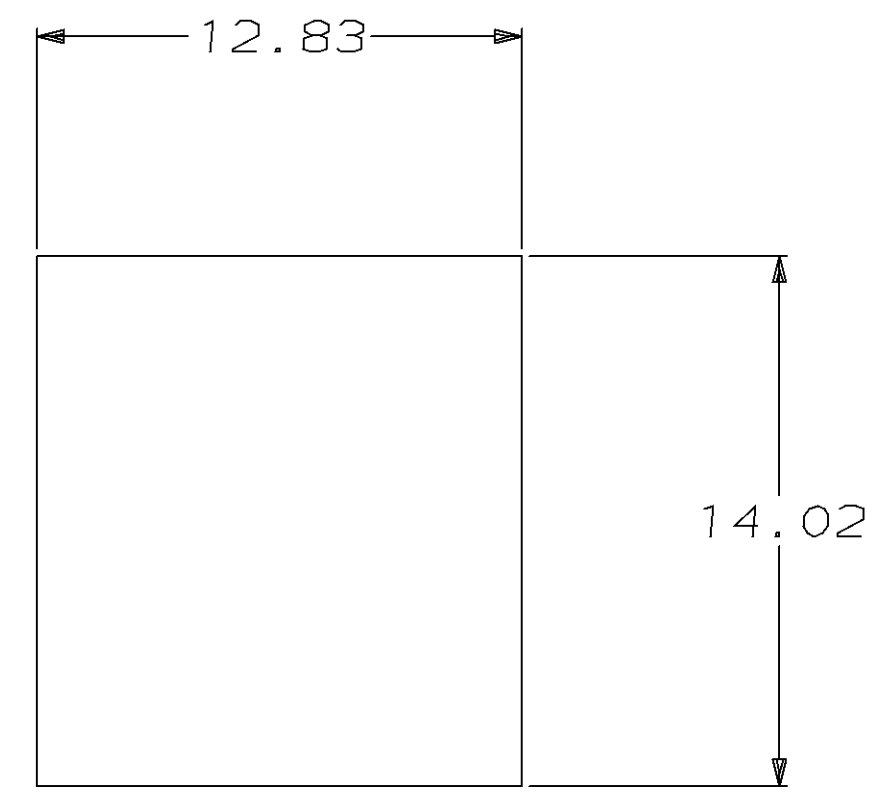
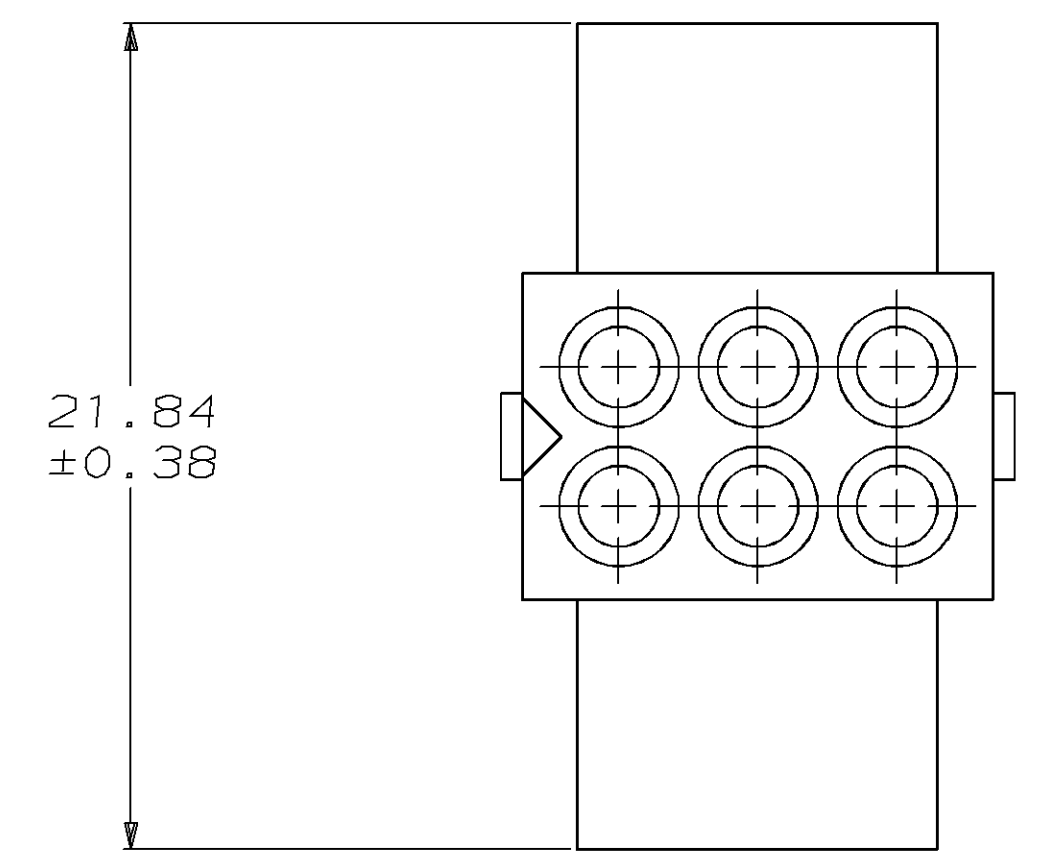
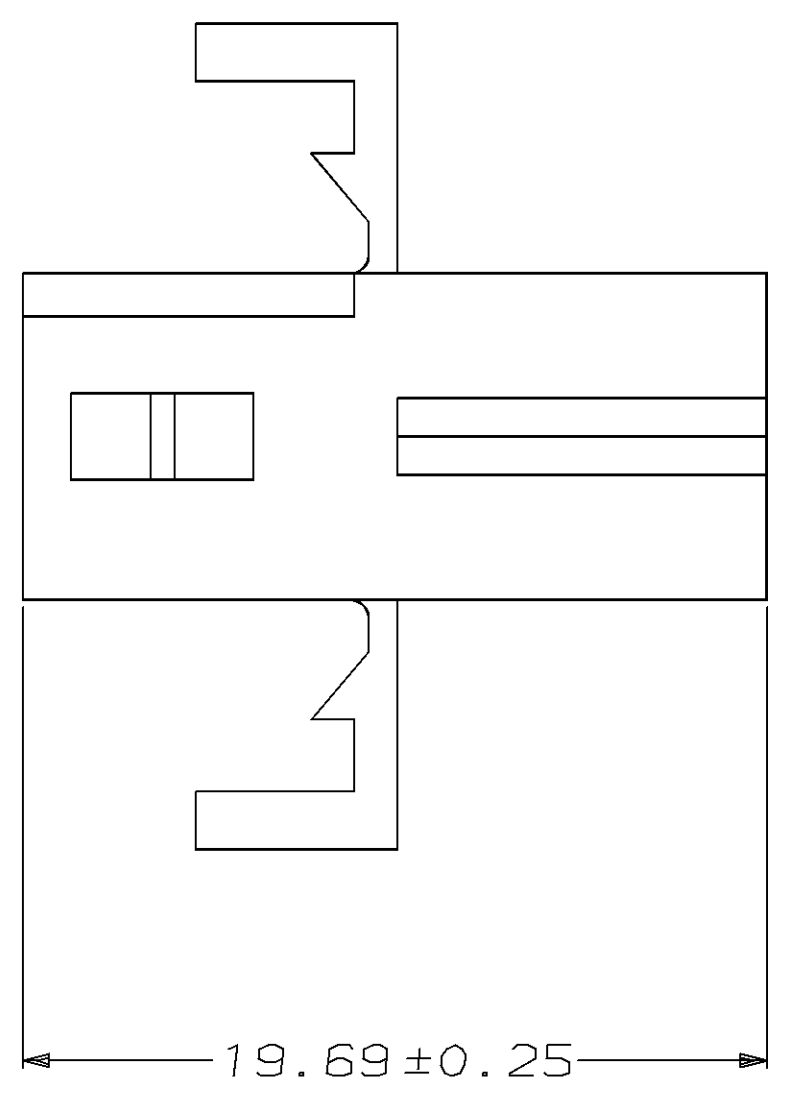
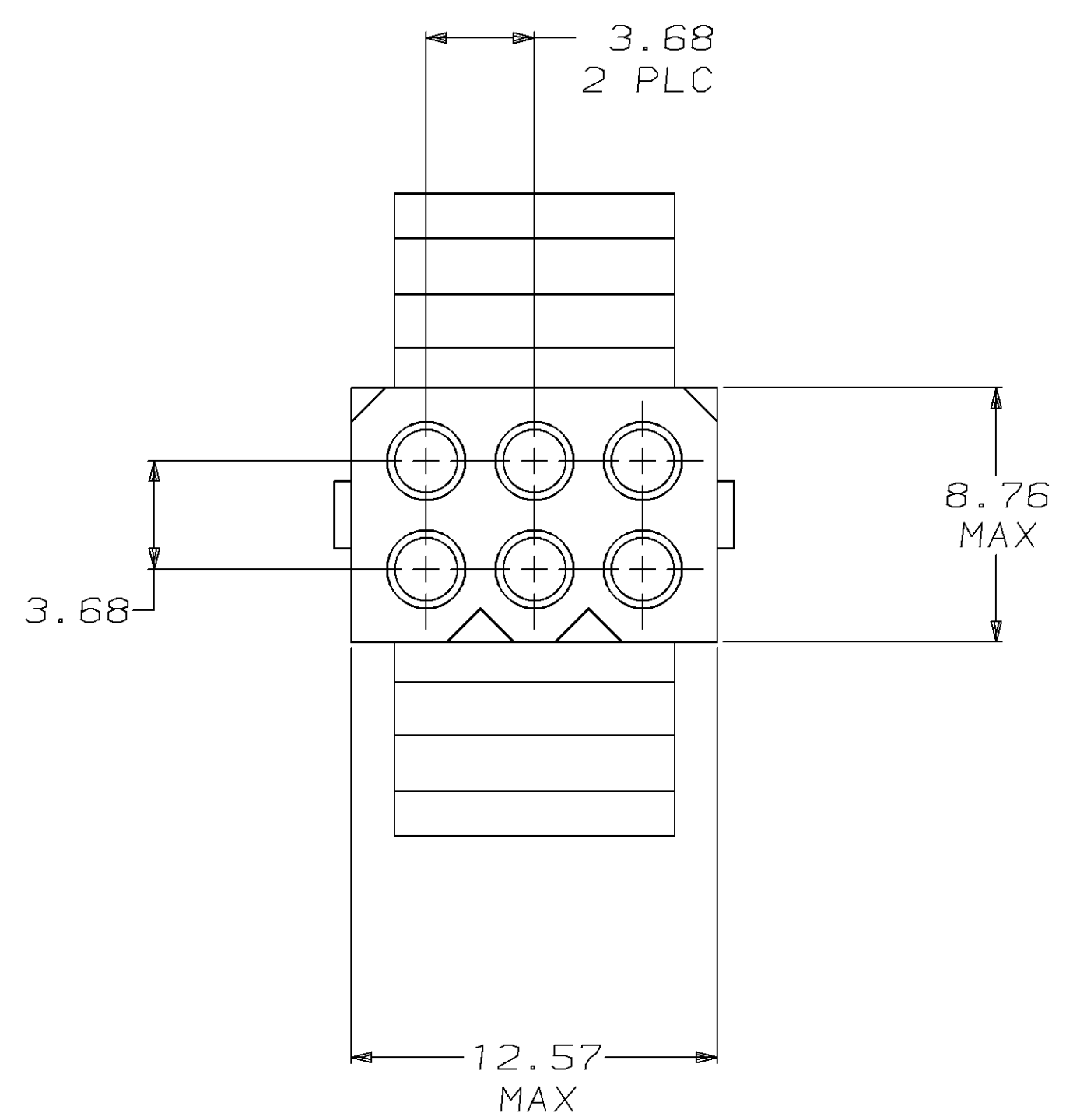
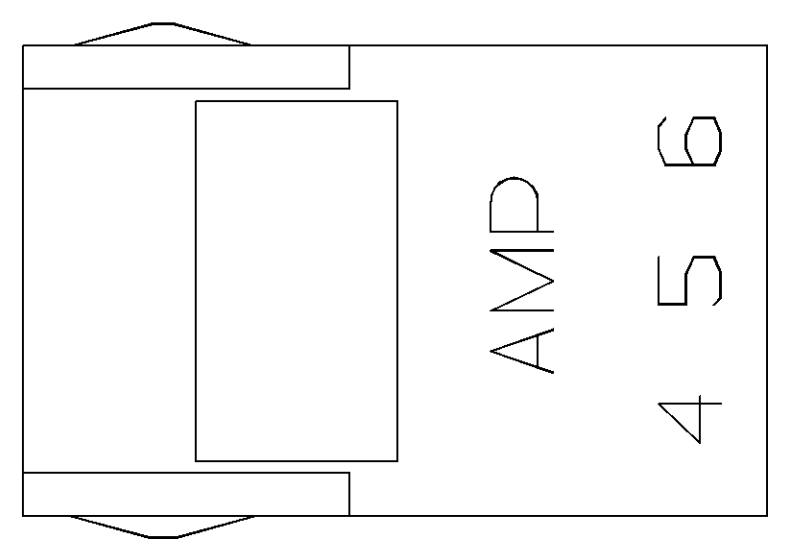
Tel: +86-755-8981 8866 Fax: +86-755-8427 6832

Email & Skype: info@chipsmall.com Web: www.chipsmall.com

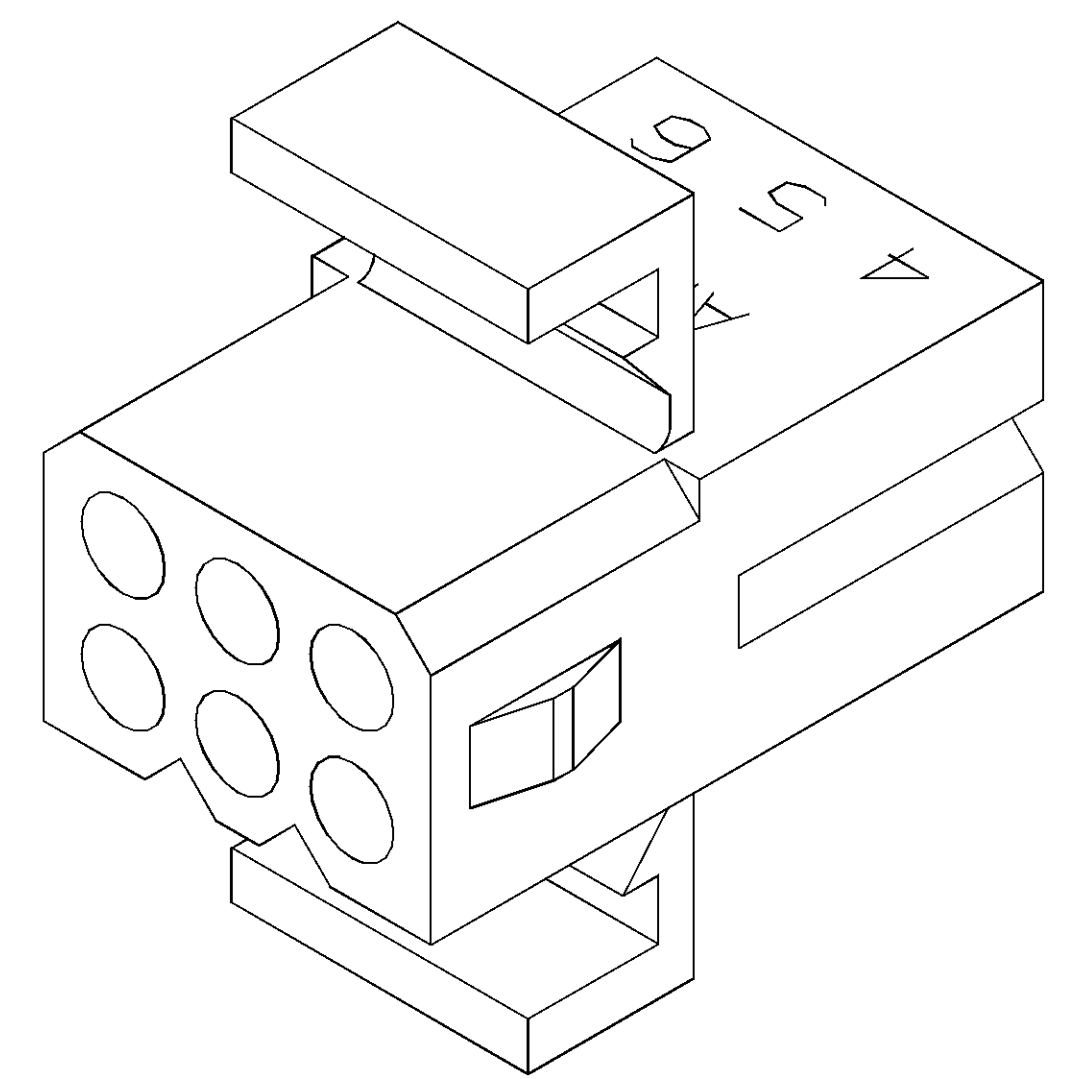
Address: A1208, Overseas Decoration Building, #122 Zhenhua RD., Futian, Shenzhen, China



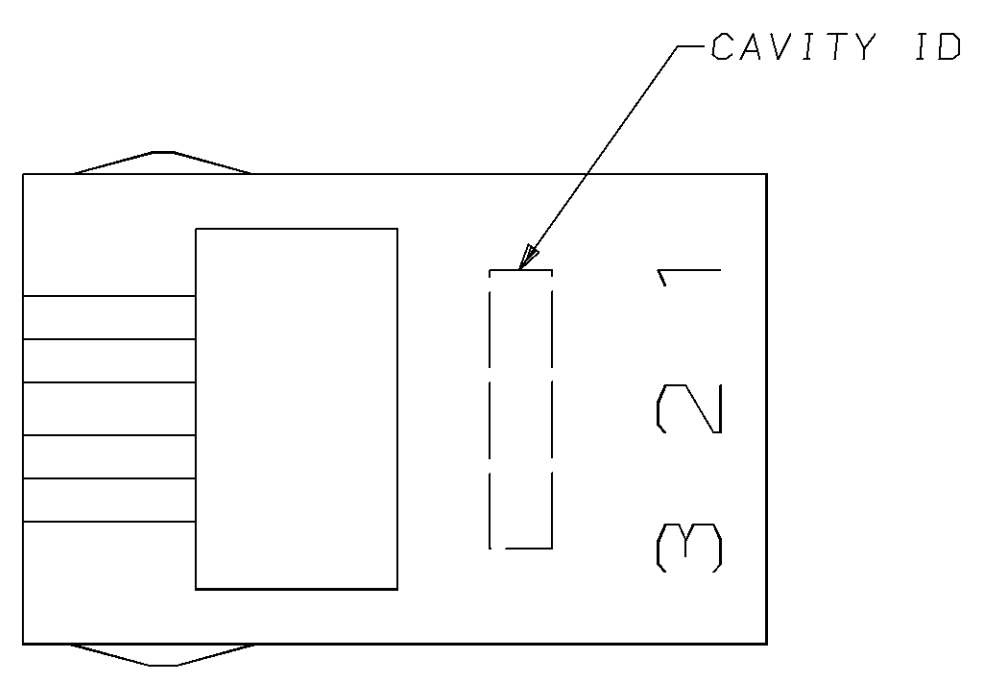
LOC		DIST		REVISIONS			
P	LTR	DESCRIPTION	DATE	DWN	APVD		
C		REV & REDWN PER EC 0730-0066-96	10-02-96	KW	RS		



RECOMMENDED CUT OUT
 FOR 1.52 MAX THICK PANEL

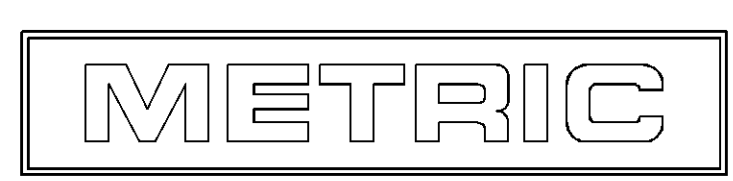


3-DIMENSIONAL MODEL
 NTS



3.68	.145	21.84	.860
1.58	.062	19.69	.775
1.52	.060	14.02	.552
0.38	.015	12.83	.505
0.25	.010	12.57	.495
0.13	.005	8.76	.345
MM	IN	MM	IN

CONVERSION TABLE



THIS DRAWING IS A CONTROLLED DOCUMENT.		DWN K. WHITAKER	10-02-96	AMP Incorporated Harrisburg, PA 17105-3608
DIMENSIONS:		CHK R. SWING	10-02-96	
TOLERANCES UNLESS OTHERWISE SPECIFIED:		APVD C. CASH	10-09-96	NAME RECEPTACLE, PANEL MOUNT, 6 CIRCUIT, .062 PIN AND SOCKET
MATERIAL NYLON, UL 94V-2, NATURAL		FINISH -	WEIGHT -	SIZE A1
		CUSTOMER DRAWING		CASE CODE 00779
				DRAWING NO 770354
				SCALE 5:1
				SHEET 1 of 1
				REV C