



Chipsmall Limited consists of a professional team with an average of over 10 year of expertise in the distribution of electronic components. Based in Hongkong, we have already established firm and mutual-benefit business relationships with customers from,Europe,America and south Asia,supplying obsolete and hard-to-find components to meet their specific needs.

With the principle of “Quality Parts,Customers Priority,Honest Operation,and Considerate Service”,our business mainly focus on the distribution of electronic components. Line cards we deal with include Microchip,ALPS,ROHM,Xilinx,Pulse,ON,Everlight and Freescale. Main products comprise IC,Modules,Potentiometer,IC Socket,Relay,Connector.Our parts cover such applications as commercial,industrial, and automotives areas.

We are looking forward to setting up business relationship with you and hope to provide you with the best service and solution. Let us make a better world for our industry!



## Contact us

Tel: +86-755-8981 8866 Fax: +86-755-8427 6832

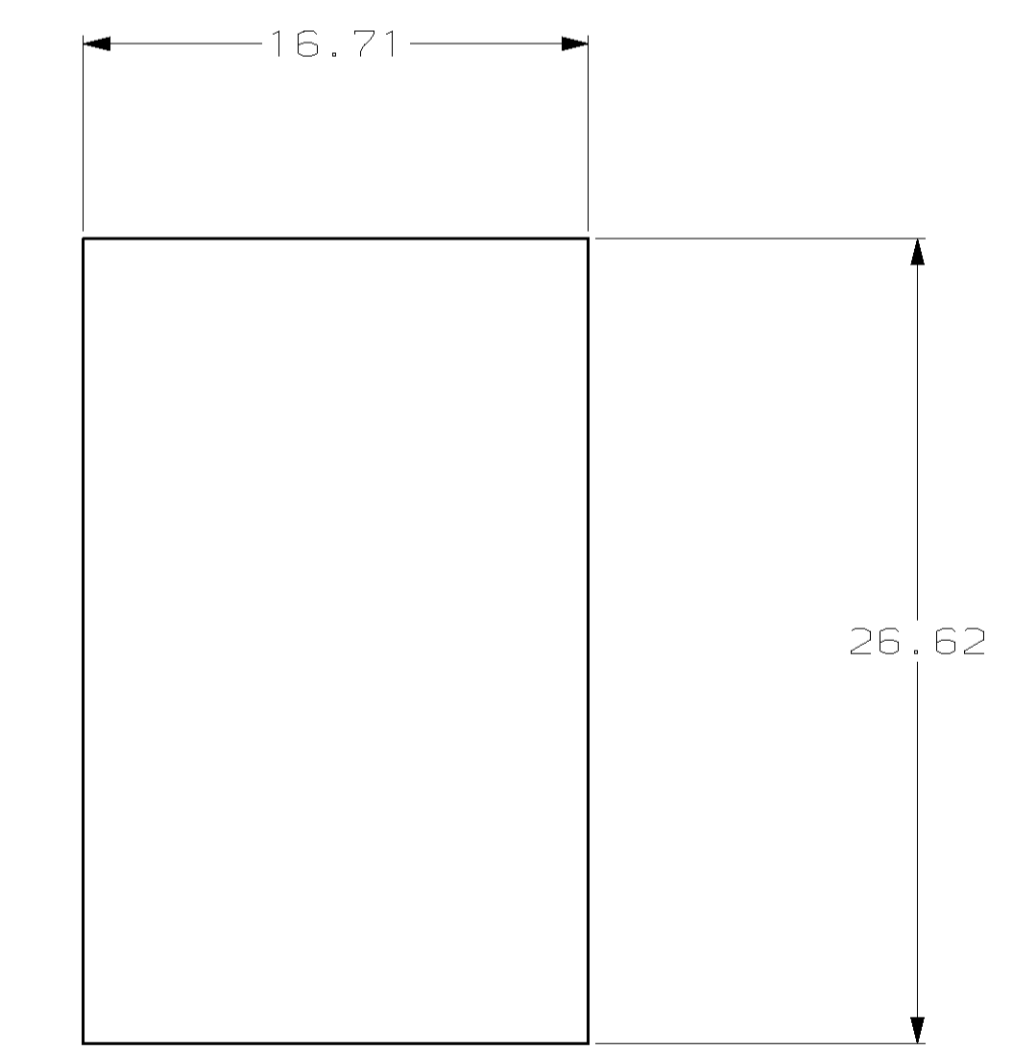
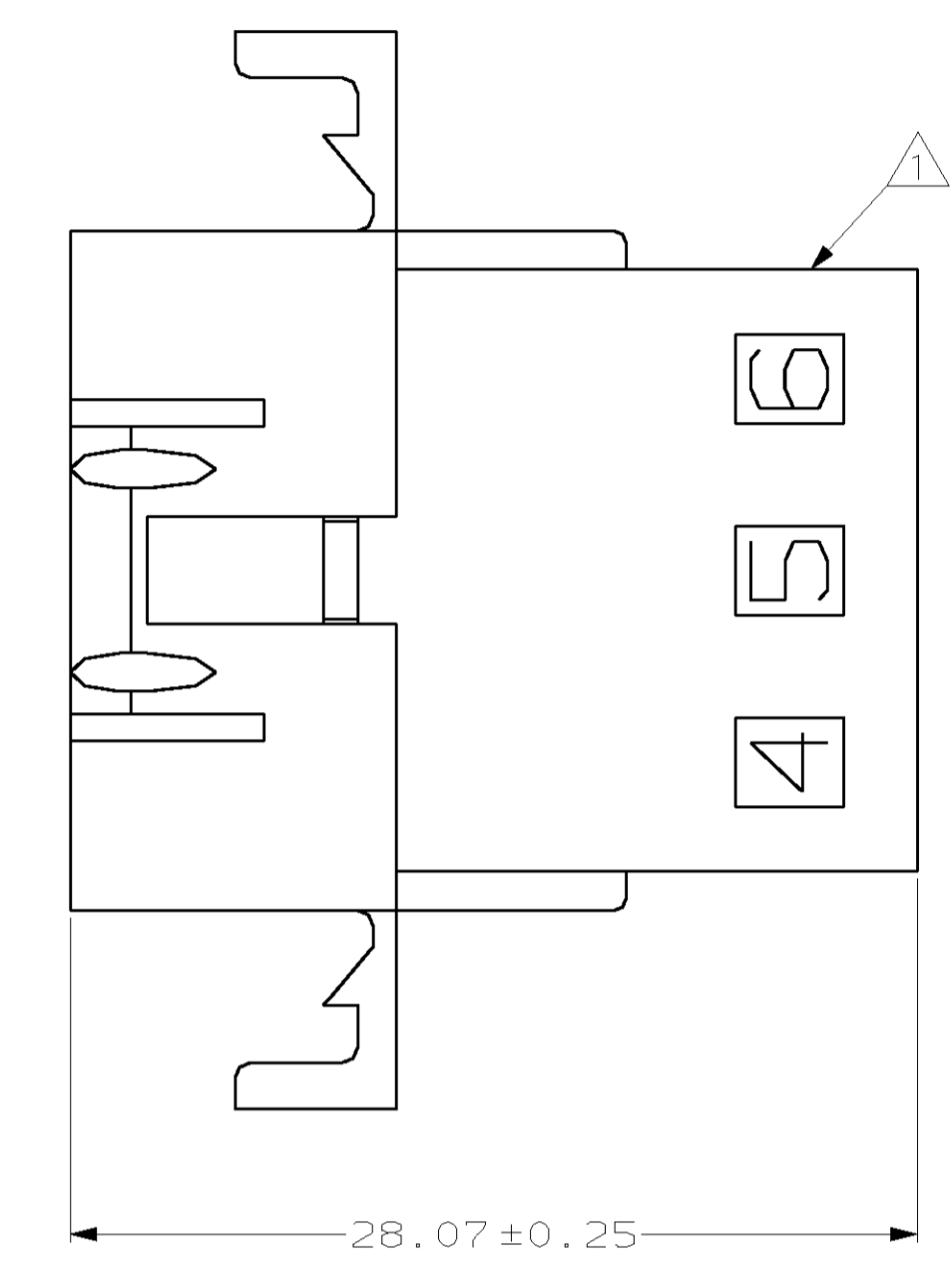
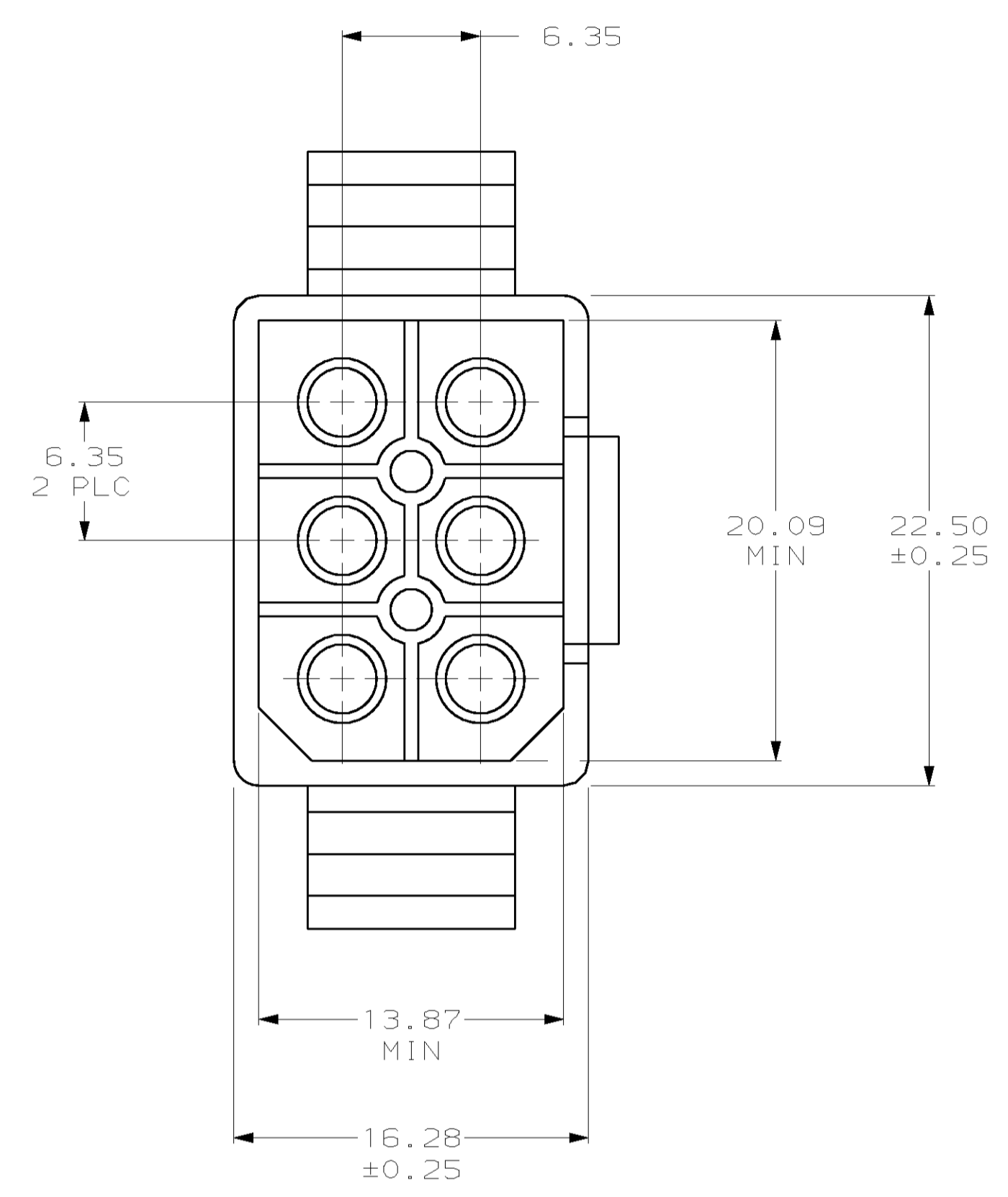
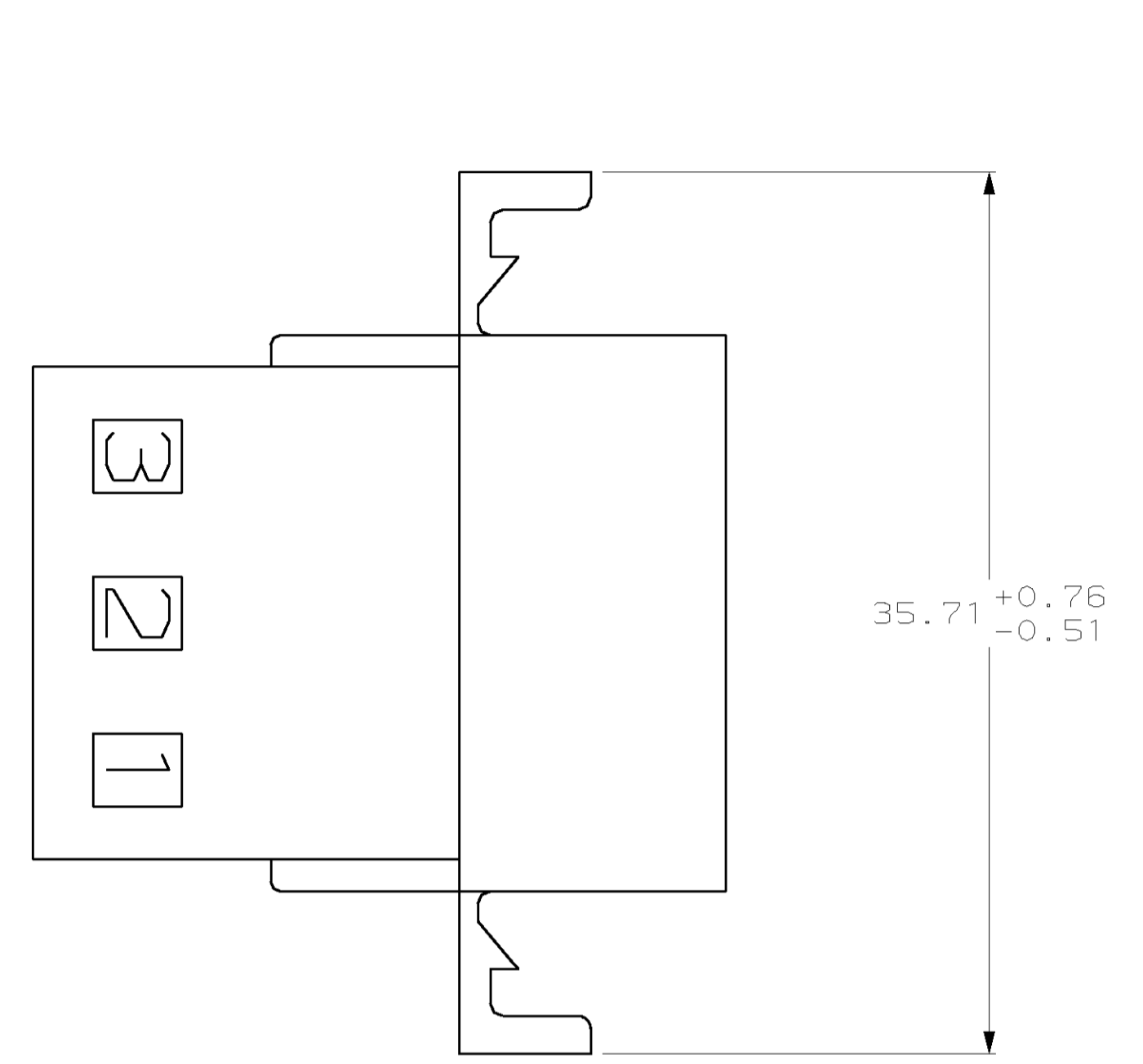
Email & Skype: info@chipsmall.com Web: www.chipsmall.com

Address: A1208, Overseas Decoration Building, #122 Zhenhua RD., Futian, Shenzhen, China

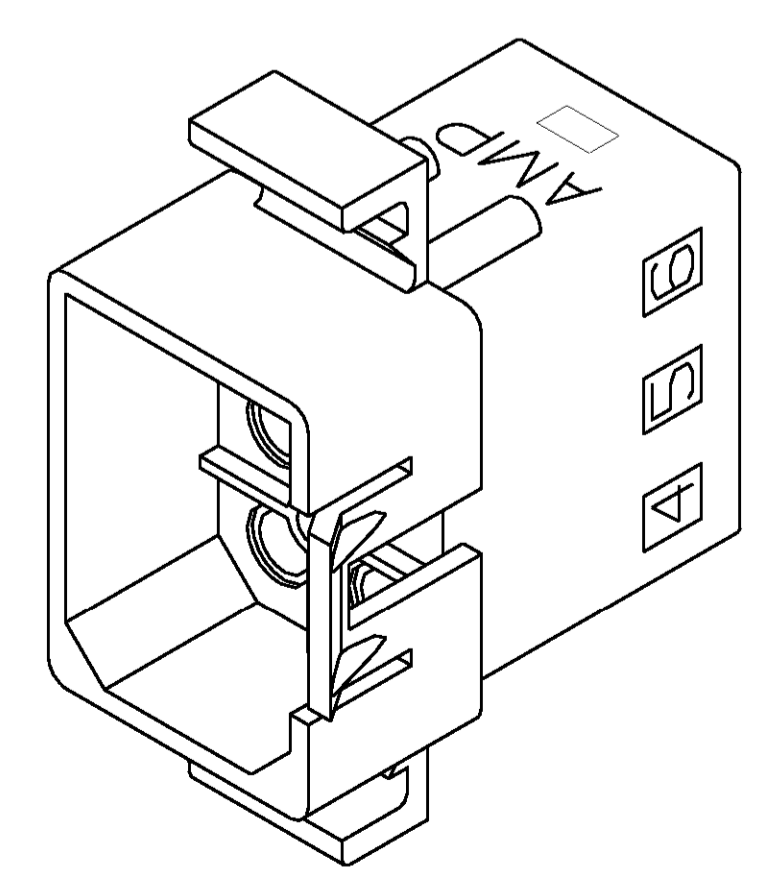


LOC	DIST	REVISIONS			
F	CHR	DESCRIPTION	DATE	OWN	APVD
G		REVISED PER EC 063B-0052-00	17-APR-00	KW	SR

△ AMP LOGO AND CAVITY NUMBER LOCATED THIS SURFACE.



RECOMMENDED CUT OUT FOR 1.57 MAX THICK PANEL



3-DIMENSIONAL MODEL NTS

MM	IN	MM	IN
13.87	.546	35.71	1.406
6.35	.250	28.07	1.105
1.57	.062	26.62	1.048
0.76	.030	22.50	.886
0.51	.020	20.09	.791
0.25	.010	16.71	.658
0.13	.005	16.28	.641
MM	IN	MM	IN

CONVERSION TABLE

770373-1  
PART NUMBER



THIS DRAWING IS A CONTROLLED DOCUMENT.

DIMENSIONS:	TOLERANCES UNLESS OTHERWISE SPECIFIED:	DWN: K. WHITAKER 12-12-97	AMP Incorporated Harrisburg, PA 17105-3608
mm	0 PLC ±-	CHK: R. SWING 12-12-97	NAME: PLUG, PANEL MOUNT, 6 CIRCUIT, .250 PIN AND SOCKET
	1 PLC ±0.13	APVD: K. COBLE 12-12-97	SIZE: A1 00779
	2 PLC ±-	PRODUCT SPEC: -	RESTRICTED TO: -
	3 PLC ±-	APPLICATION SPEC: -	SCALE: 4:1
	4 PLC ±-	WEIGHT: -	SHEET: 1 OF 1
MATERIAL: NYLON, UL 94V-2, NATURAL	FINISH: -	CUSTOMER DRAWING	REV: 6