



Chipsmall Limited consists of a professional team with an average of over 10 year of expertise in the distribution of electronic components. Based in Hongkong, we have already established firm and mutual-benefit business relationships with customers from,Europe,America and south Asia,supplying obsolete and hard-to-find components to meet their specific needs.

With the principle of "Quality Parts,Customers Priority,Honest Operation,and Considerate Service",our business mainly focus on the distribution of electronic components. Line cards we deal with include Microchip,ALPS,ROHM,Xilinx,Pulse,ON,Everlight and Freescale. Main products comprise IC,Modules,Potentiometer,IC Socket,Relay,Connector.Our parts cover such applications as commercial,industrial, and automotives areas.

We are looking forward to setting up business relationship with you and hope to provide you with the best service and solution. Let us make a better world for our industry!



## Contact us

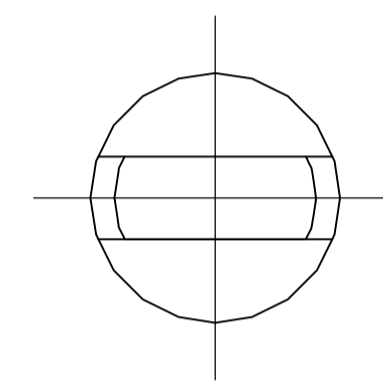
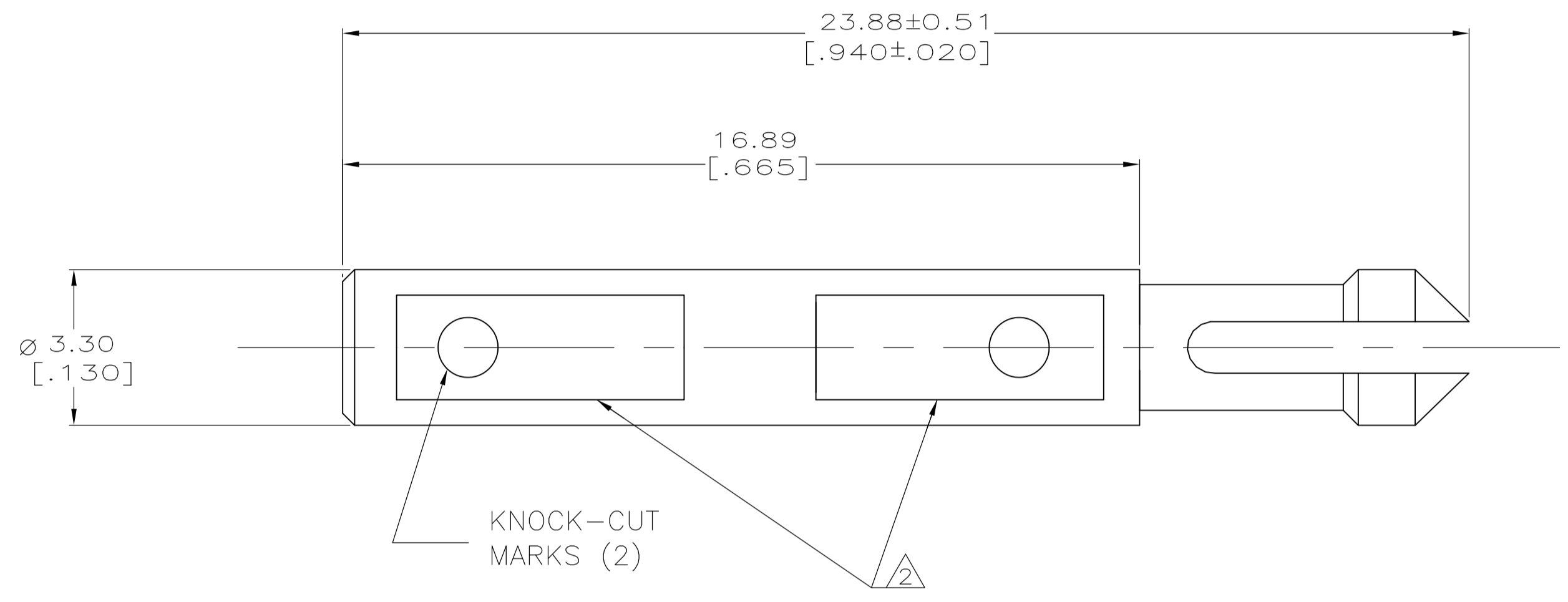
Tel: +86-755-8981 8866 Fax: +86-755-8427 6832

Email & Skype: info@chipsmall.com Web: www.chipsmall.com

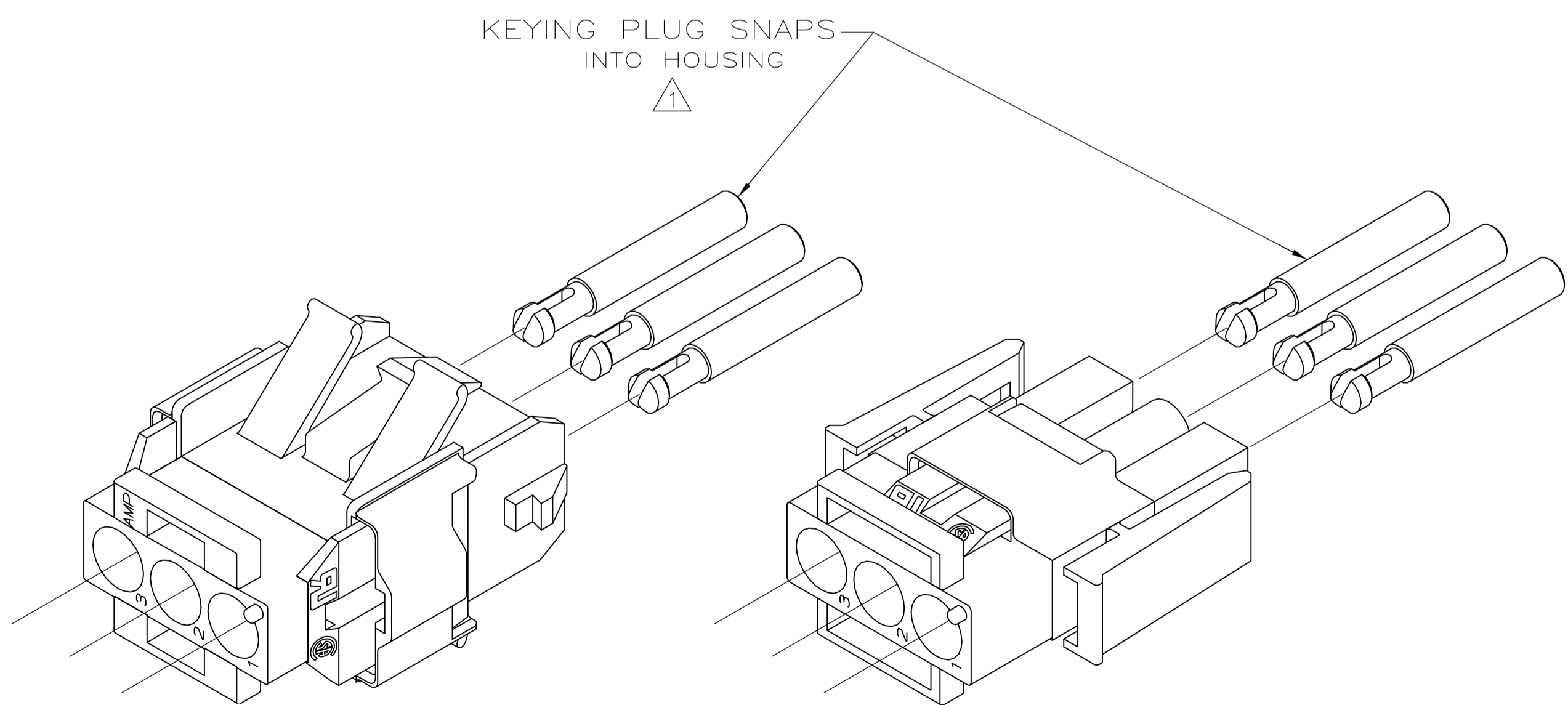
Address: A1208, Overseas Decoration Building, #122 Zhenhua RD., Futian, Shenzhen, China



LOC		DIST		REVISIONS			
P	LTR	DESCRIPTION	DATE	DWN	APVD		
D		REVISED PER ECR-11-002201	03FEB11	HMR	TM		



- 1 TO BE USED WITH UNIVERSAL MATE-N-LOK™ II PLUGS AND CAPS.
- 2 AMP LOGO EITHER LOCATION.
- 3 DIMENSIONS IN BRACKETS ARE IN INCHES.



APPLICATION DETAIL  
SCALE 2:1

770377-1  
PART NUMBER

THIS DRAWING IS A CONTROLLED DOCUMENT.		DIN K SALMON 6-18-92	Tyco Electronics Corporation Harrisburg, PA 17105-3608	
DIMENSIONS: mm [INCHES]		CHK R SWING 6-18-92	APVD M TRULL 6-24-92	
TOLERANCES UNLESS OTHERWISE SPECIFIED:		NAME		
0. PLC ± -	1. PLC ± -	KEYING PLUG, UNIVERSAL MATE-N-LOK™ II		
2. PLC ± -	3. PLC ± 0.13 [.005]	PRODUCT SPEC		
4. PLC ± -	ANGLES ± -	APPLICATION SPEC		
MATERIAL NYLON,UL94V-0	FINISH -	SIZE A1	CAGE CODE 00779	DRAWING NO. C=770377
CUSTOMER DRAWING		WEIGHT -	RESTRICTED TO -	SCALE 10:1 SHEET 1 OF 1 REV D