



Chipsmall Limited consists of a professional team with an average of over 10 year of expertise in the distribution of electronic components. Based in Hongkong, we have already established firm and mutual-benefit business relationships with customers from,Europe,America and south Asia,supplying obsolete and hard-to-find components to meet their specific needs.

With the principle of “Quality Parts,Customers Priority,Honest Operation,and Considerate Service”,our business mainly focus on the distribution of electronic components. Line cards we deal with include Microchip,ALPS,ROHM,Xilinx,Pulse,ON,Everlight and Freescale. Main products comprise IC,Modules,Potentiometer,IC Socket,Relay,Connector.Our parts cover such applications as commercial,industrial, and automotives areas.

We are looking forward to setting up business relationship with you and hope to provide you with the best service and solution. Let us make a better world for our industry!



## Contact us

Tel: +86-755-8981 8866 Fax: +86-755-8427 6832

Email & Skype: info@chipsmall.com Web: www.chipsmall.com

Address: A1208, Overseas Decoration Building, #122 Zhenhua RD., Futian, Shenzhen, China

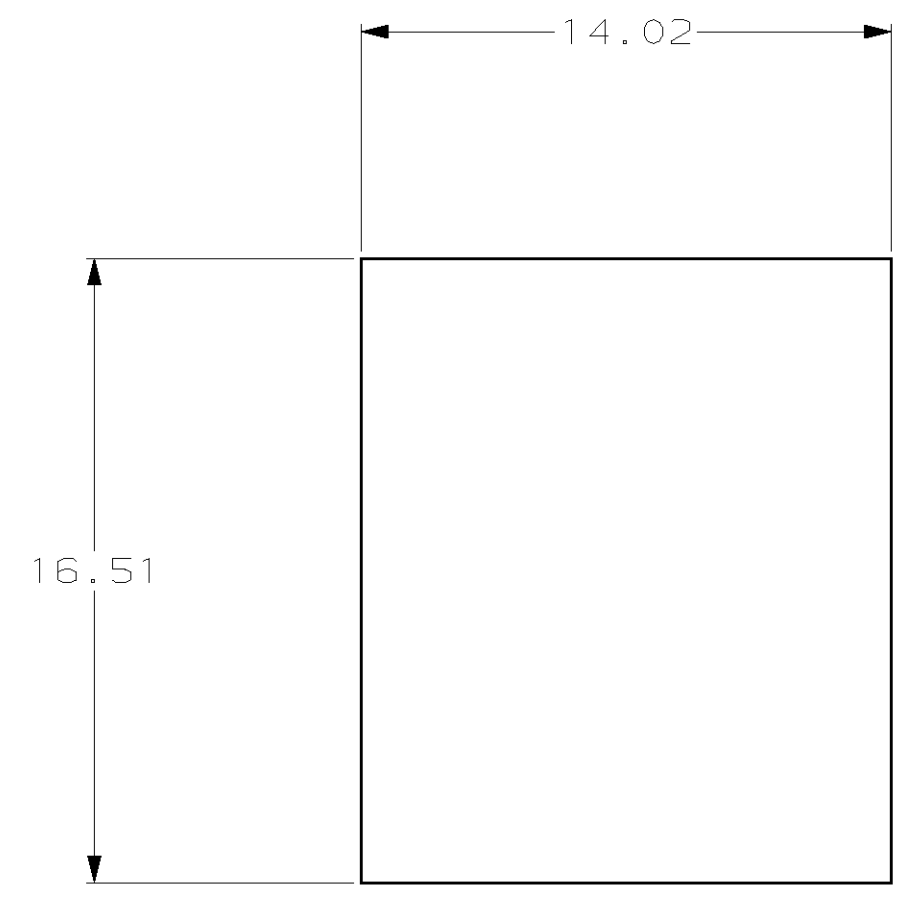
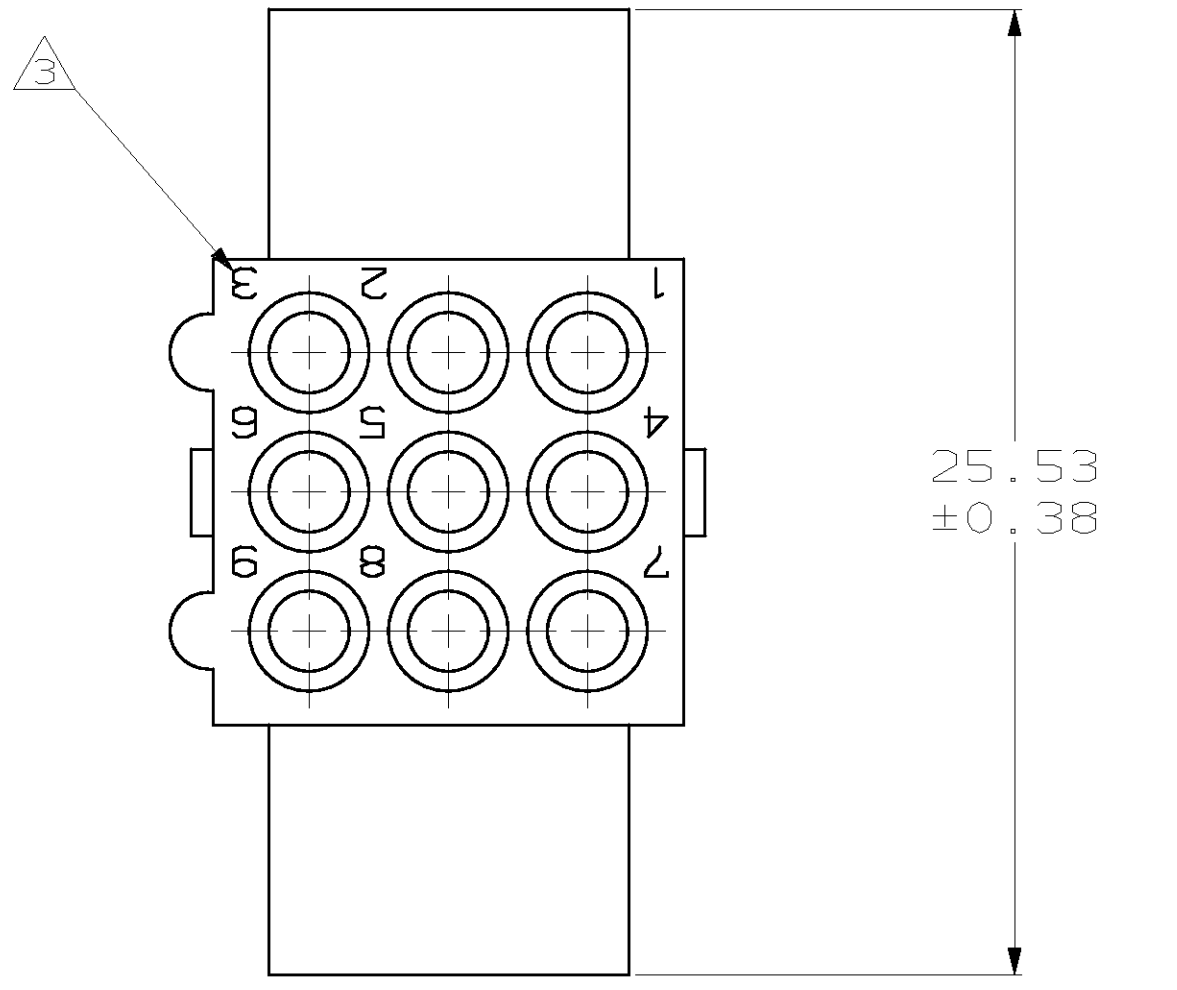
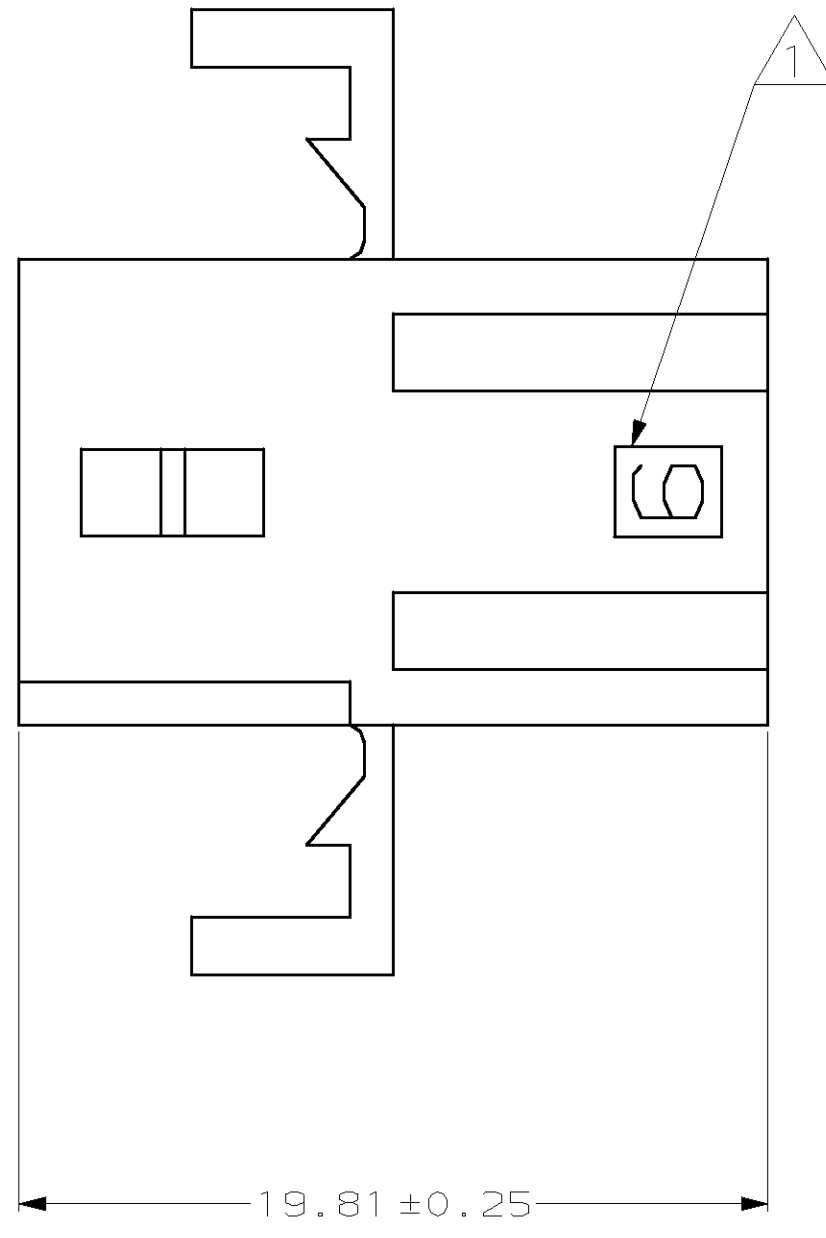
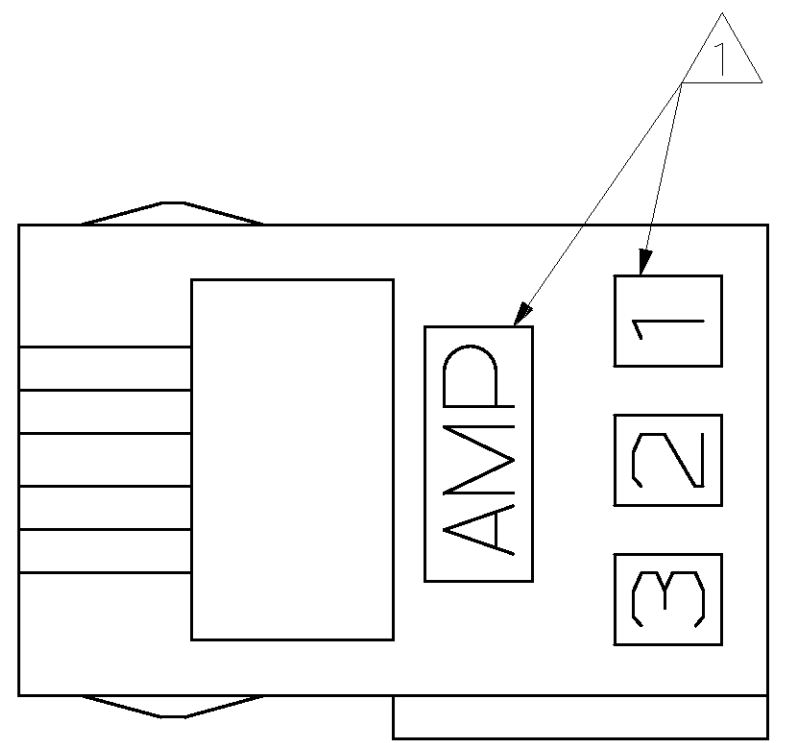


LOC	QTY	REV	DATE	BY	CHK	APPV
CM	53					

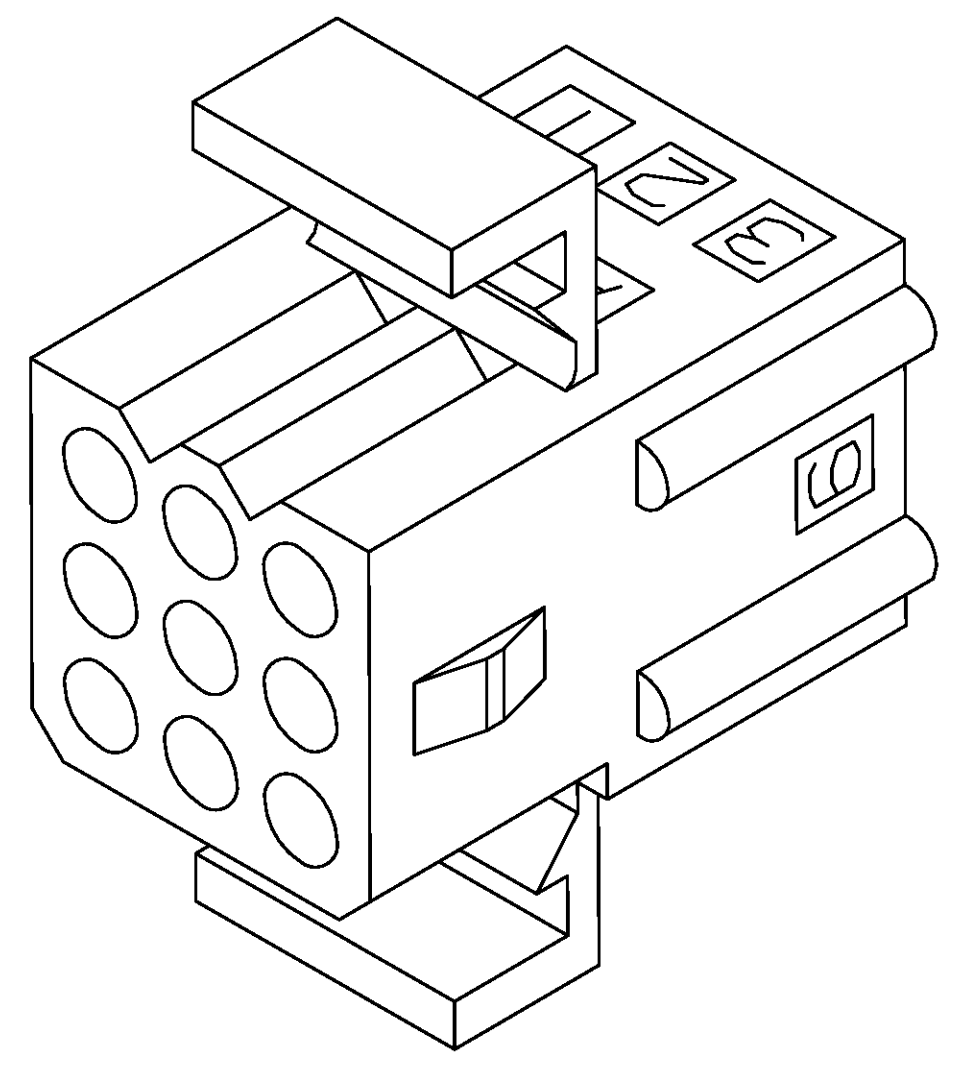
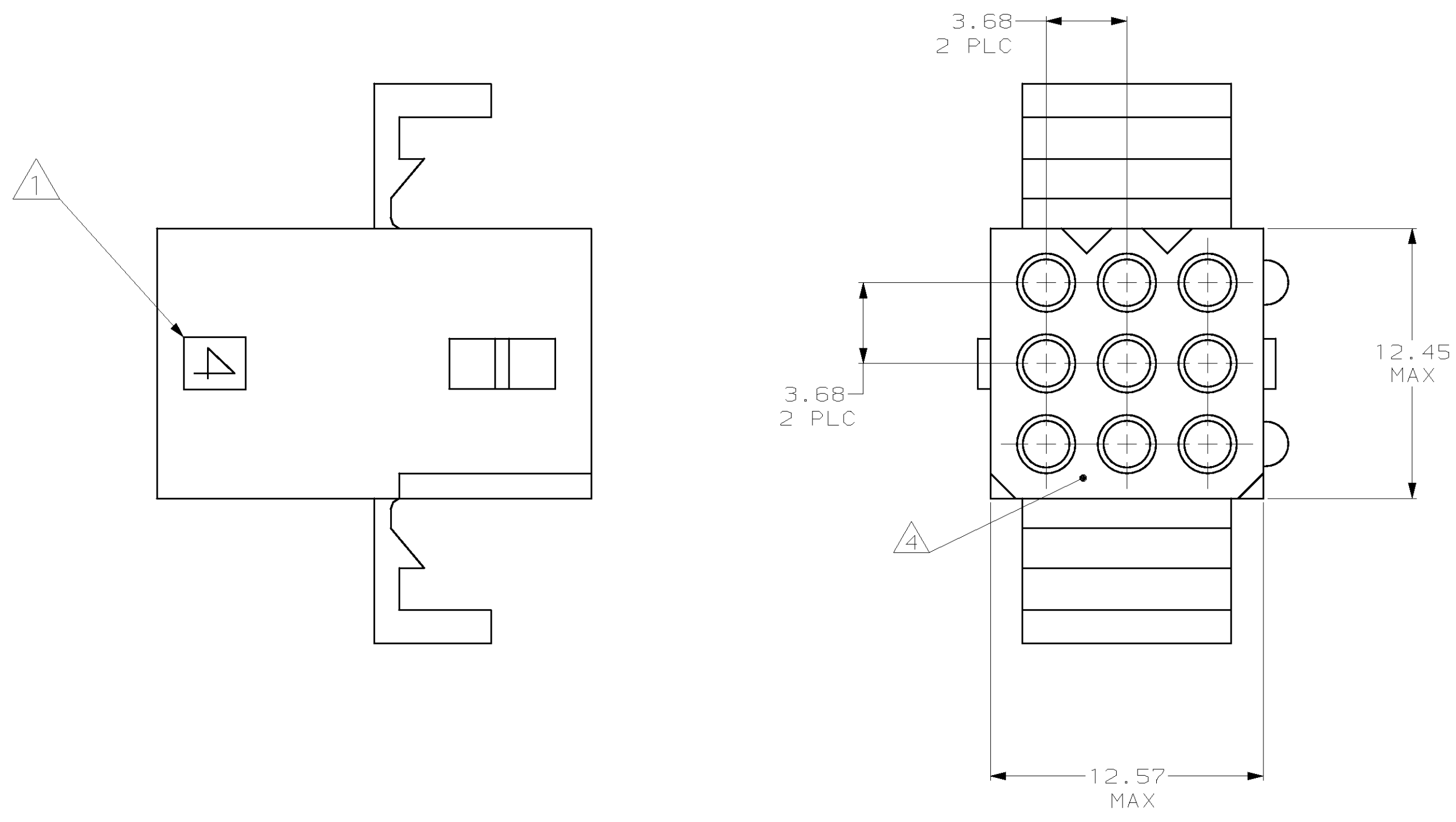
  

REVISIONS						
REV	DESCRIPTION	DATE	BY	CHK	APPV	
C	REV & REDWN PER EC OL30-0214-97	10-20-97	KW			RS

- ① AMP LOGO AND CIRCUIT NUMBERS LOCATED APPROXIMATELY AS SHOWN.
- ② CSA LOGO AND UL LOGO LOCATED ON THIS SURFACE.
- ③ CIRCUIT NUMBERS MAY OR MAY NOT APPEAR.
- ④ AMP LOGO MAY OR MAY NOT APPEAR ON THIS SURFACE.



RECOMMENDED CUT OUT FOR 1.52 MAX THICK PANEL



3-DIMENSIONAL MODEL NTS

MM	IN	MM	IN
3.68	.145	25.53	1.005
1.58	.062	19.81	.780
1.52	.060	16.51	.650
0.38	.015	14.02	.552
0.25	.010	12.57	.495
0.13	.005	12.45	.490

CONVERSION TABLE

**METRIC**

THIS DRAWING IS A CONTROLLED DOCUMENT.

DIMENSIONS:	TOLERANCES UNLESS OTHERWISE SPECIFIED.	DATE	BY	CHK	APPV
mm	9 PLC ± 1 PLC ± 2 PLC ±0.13 3 PLC ± 4 PLC ± ANGLES ±	10-20-97	K. WHITAKER	R. SWING	

MATERIAL: NYLON, JL 94V-2, NATURAL FINISH: -

AMP Incorporated  
Harrisburg, PA 17105-3608

RECEPTACLE, PANEL MOUNT, 9 CIRCUIT, .062 PIN AND SOCKET

SIZE: A1 007799-770427

CUSTOMER DRAWING SCALE: 5:1 SHEET 1 OF 1 REV C

770427-1  
PART NUMBER