



Chipsmall Limited consists of a professional team with an average of over 10 year of expertise in the distribution of electronic components. Based in Hongkong, we have already established firm and mutual-benefit business relationships with customers from,Europe,America and south Asia,supplying obsolete and hard-to-find components to meet their specific needs.

With the principle of “Quality Parts,Customers Priority,Honest Operation,and Considerate Service”,our business mainly focus on the distribution of electronic components. Line cards we deal with include Microchip,ALPS,ROHM,Xilinx,Pulse,ON,Everlight and Freescale. Main products comprise IC,Modules,Potentiometer,IC Socket,Relay,Connector.Our parts cover such applications as commercial,industrial, and automotives areas.

We are looking forward to setting up business relationship with you and hope to provide you with the best service and solution. Let us make a better world for our industry!



Contact us

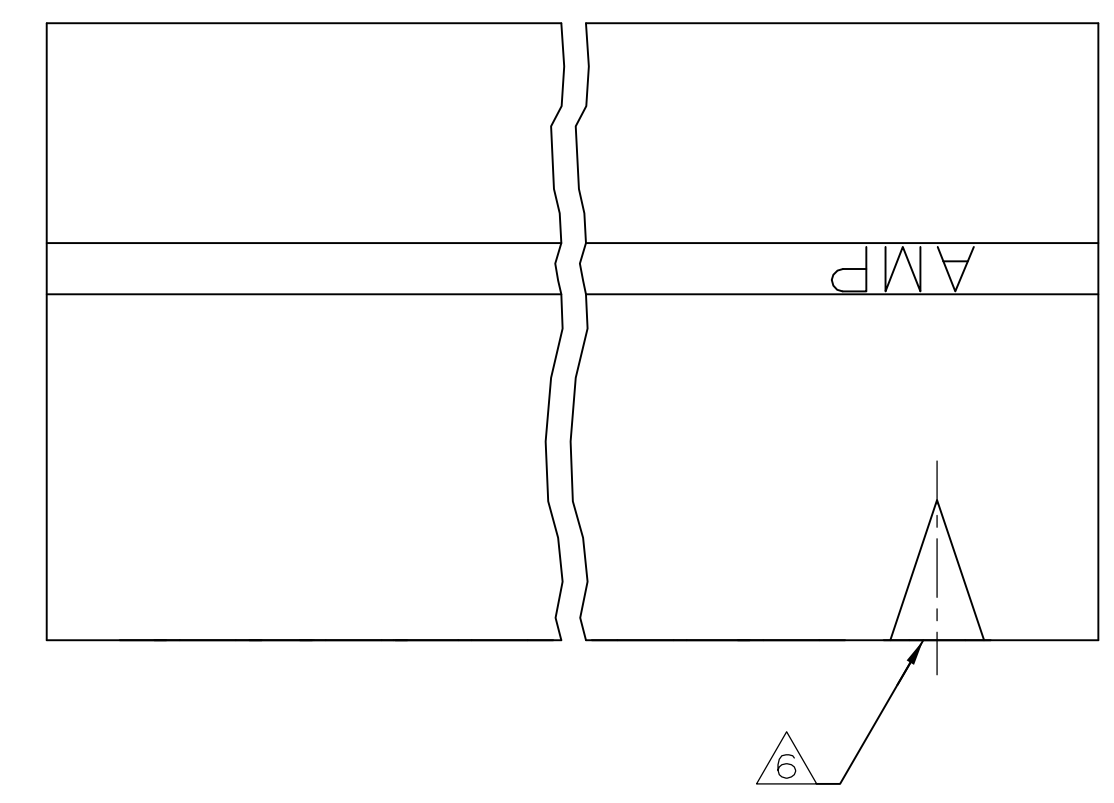
Tel: +86-755-8981 8866 Fax: +86-755-8427 6832

Email & Skype: info@chipsmall.com Web: www.chipsmall.com

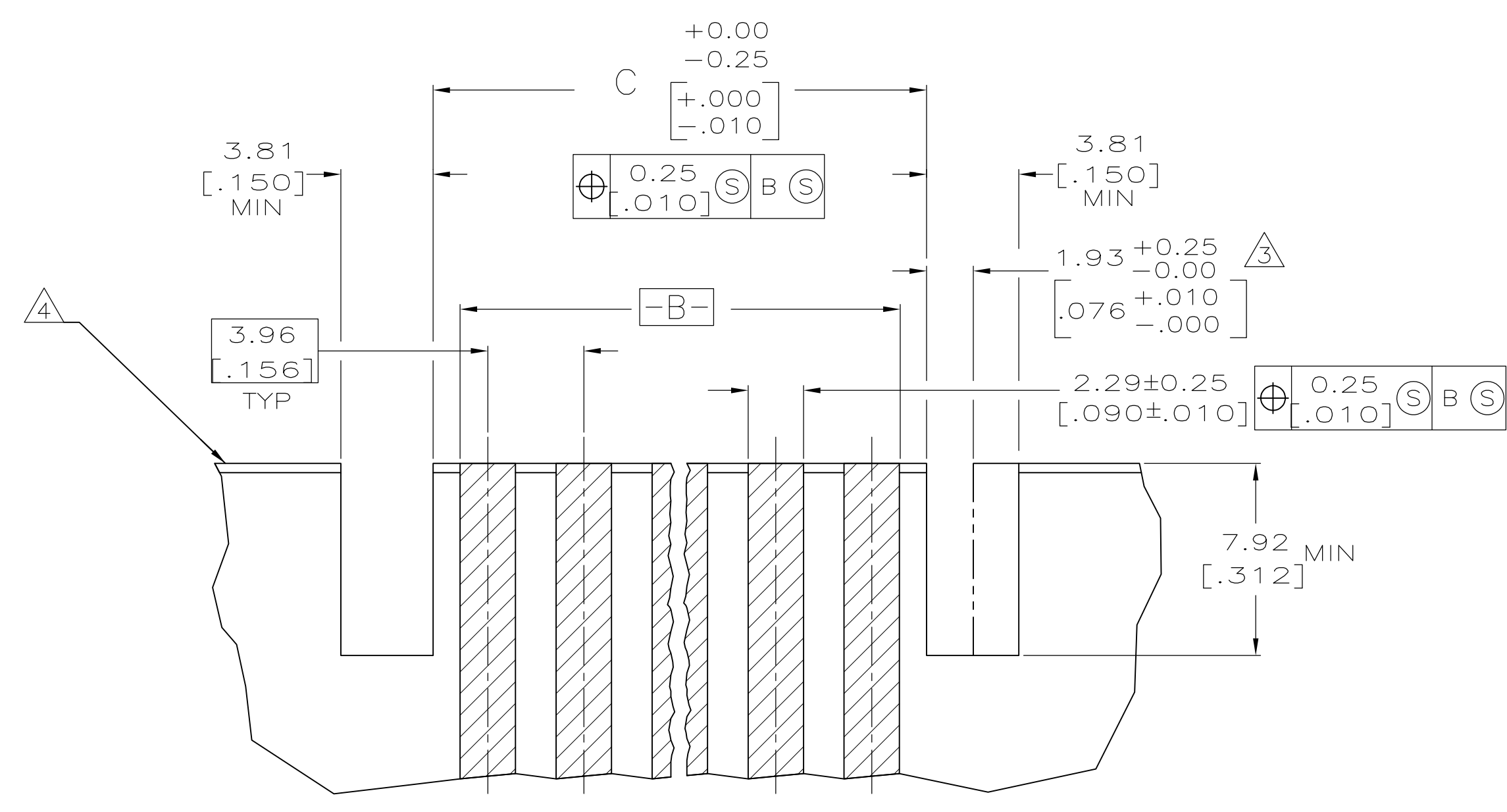
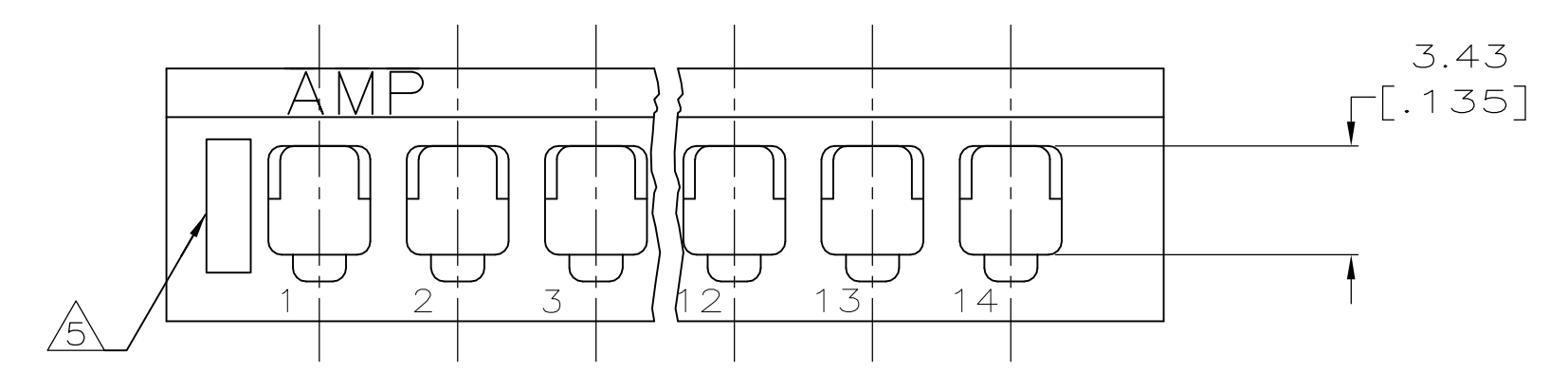
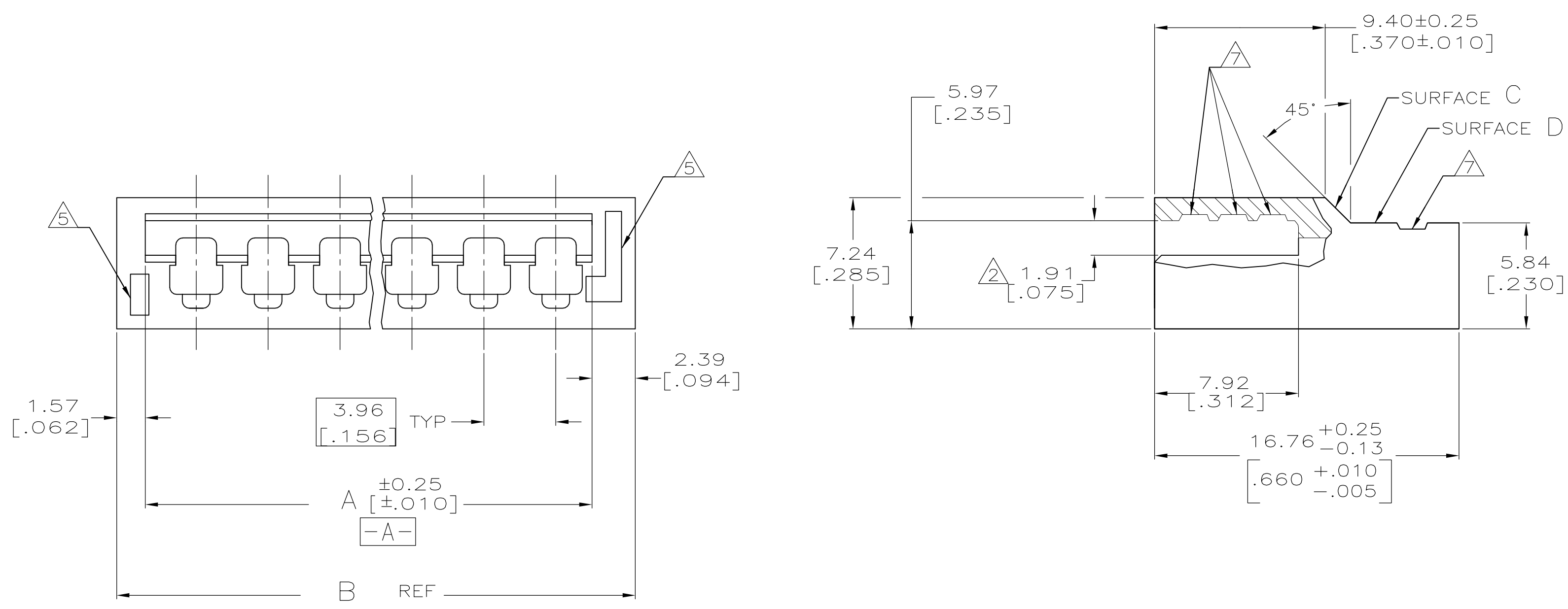
Address: A1208, Overseas Decoration Building, #122 Zhenhua RD., Futian, Shenzhen, China



LOC		DIST		P		ZONE		LTR		REVISIONS		DATE	APPD
CM	52									F	OBS -4 & -14 PER EC 0L30-0123-96	8-12-97	JH
										F1	REVISED PER ECO-09-022908	08OCT09	KK



1. HOUSING ACCEPTS CONTACTS P/N 61668 OR 350194.
2. MEASURED AT ENDS OF CARD SLOT.
3. RECOMMENDED CUTOUT FOR HOUSING POLARIZATION. WHERE REQUIRED.
4. 0.38 [.015] MIN X 45° CHAMFER RECOMMENDED ON BOTH SIDES OF BOARD.
5. CORING OPTIONAL.
6. OPTIONAL FROSTED SURFACE LOCATED ON ϕ OF CIRCUIT NO. 1; ANOTHER OPTION IS A RECESSED TRIANGLE ON SURFACE C WITH A FROSTED AMP LOGO ON SURFACE D.
7. OPTIONAL PULL GROOVE AS REQUIRED FOR MOLDING.
8. DIMENSIONS IN BRACKETS ARE IN INCHES.
9. OBSOLETE PARTS: OBSOLETE CIS STREAMLINING PER D.RENAUD/D.SINISI



RECOMMENDED LAYOUT PATTERN
 FOR 1.575±0.191 [.0620±.0075] THICK
 P.C. BOARD INCLUDING CIRCUITRY

C	B	A	NO OF CIRCUITS	PART NO.
44.17[1.739]	48.41[1.906]	44.45[1.750]	11	1-770438-1
36.25[1.427]	40.49[1.594]	36.53[1.438]	9	770438-9
24.33[.958]	28.58[1.125]	24.61[.969]	6	770438-6
20.37[.802]	24.61[.969]	20.65[.813]	5	770438-5
9 OBSOLETE 12.42[.489]	16.66[.656]	12.70[.500]	3	770438-3

DO NOT SCALE PRINT. UNLESS SPECIFIED DIMENSIONS IN mm [INCHES] TOLERANCES - ON : 2 PLC DEC ± . 3 PLC DEC ± 0.13 [.005] ANGLES ± -		DR 2-20-92 K. SALMON CHK 2-20-92 R. SWING APPD 4-24-92 W. LONG APPD 4-24-92 W. LONG		AMP AMP Incorporated Harrisburg, PA 17105-3608	
MATERIAL POLYESTER, UL94V-0 (NATURAL)		PRODUCT SPEC		NAME HOUSING, EDGE CONNECTOR, BIFURCATED LEAF	
FINISH		APPLICATION SPEC		SIZE D	CAGE CODE 00779
WEIGHT		SCALE 5:1		DRAWING NO 770438	REV F1
				SHEET 1 OF 1	

