



Chipsmall Limited consists of a professional team with an average of over 10 year of expertise in the distribution of electronic components. Based in Hongkong, we have already established firm and mutual-benefit business relationships with customers from,Europe,America and south Asia,supplying obsolete and hard-to-find components to meet their specific needs.

With the principle of “Quality Parts,Customers Priority,Honest Operation,and Considerate Service”,our business mainly focus on the distribution of electronic components. Line cards we deal with include Microchip,ALPS,ROHM,Xilinx,Pulse,ON,Everlight and Freescale. Main products comprise IC,Modules,Potentiometer,IC Socket,Relay,Connector.Our parts cover such applications as commercial,industrial, and automotives areas.

We are looking forward to setting up business relationship with you and hope to provide you with the best service and solution. Let us make a better world for our industry!



Contact us

Tel: +86-755-8981 8866 Fax: +86-755-8427 6832

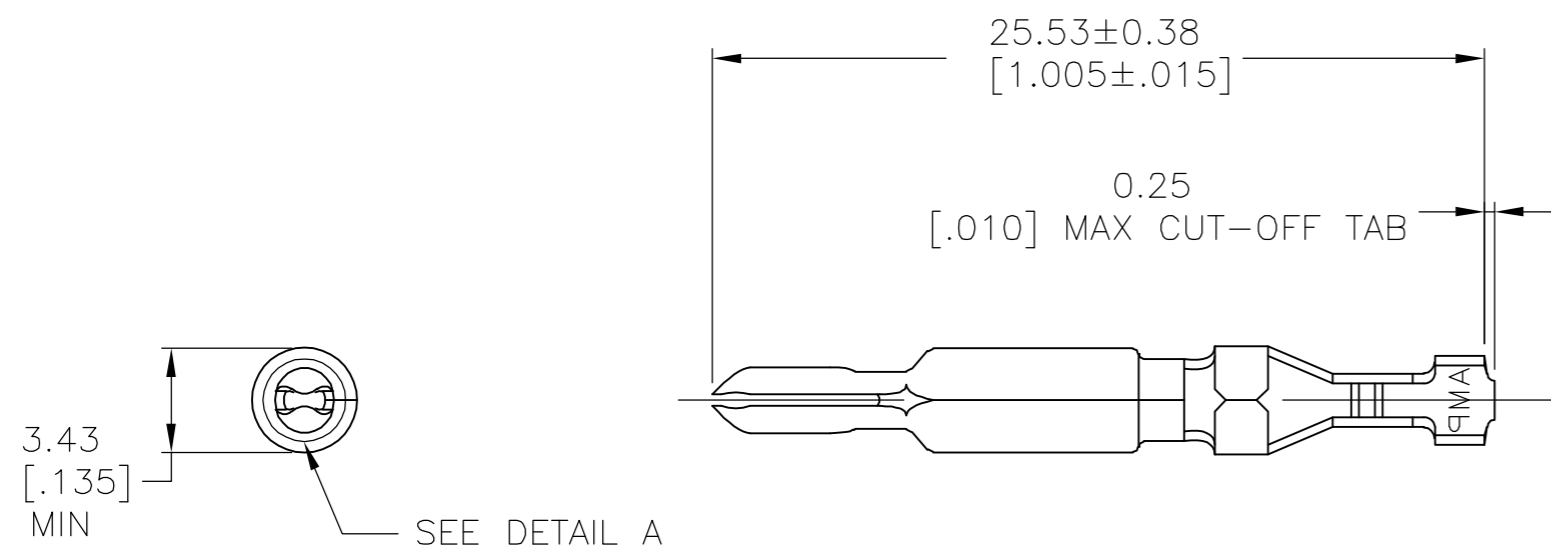
Email & Skype: info@chipsmall.com Web: www.chipsmall.com

Address: A1208, Overseas Decoration Building, #122 Zhenhua RD., Futian, Shenzhen, China

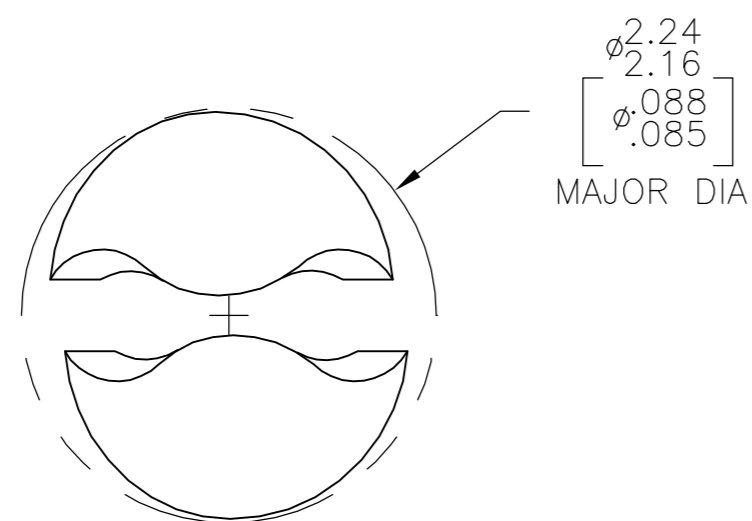
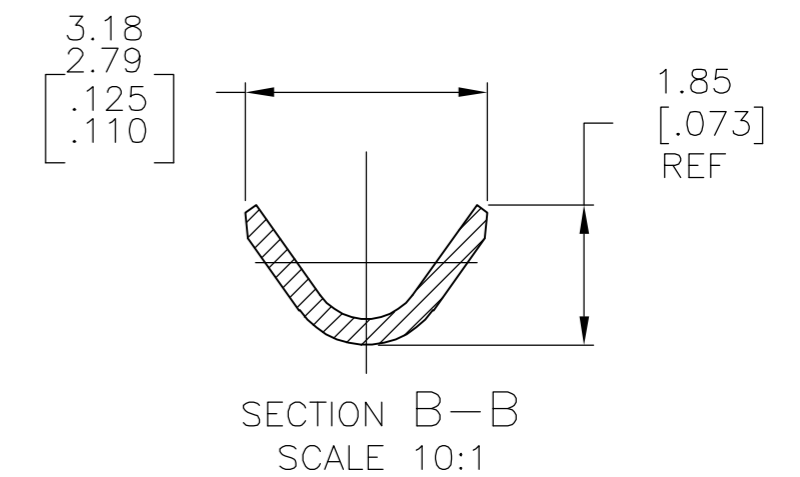
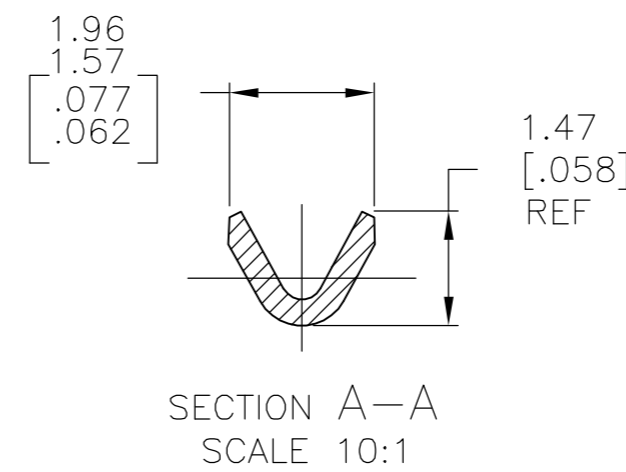
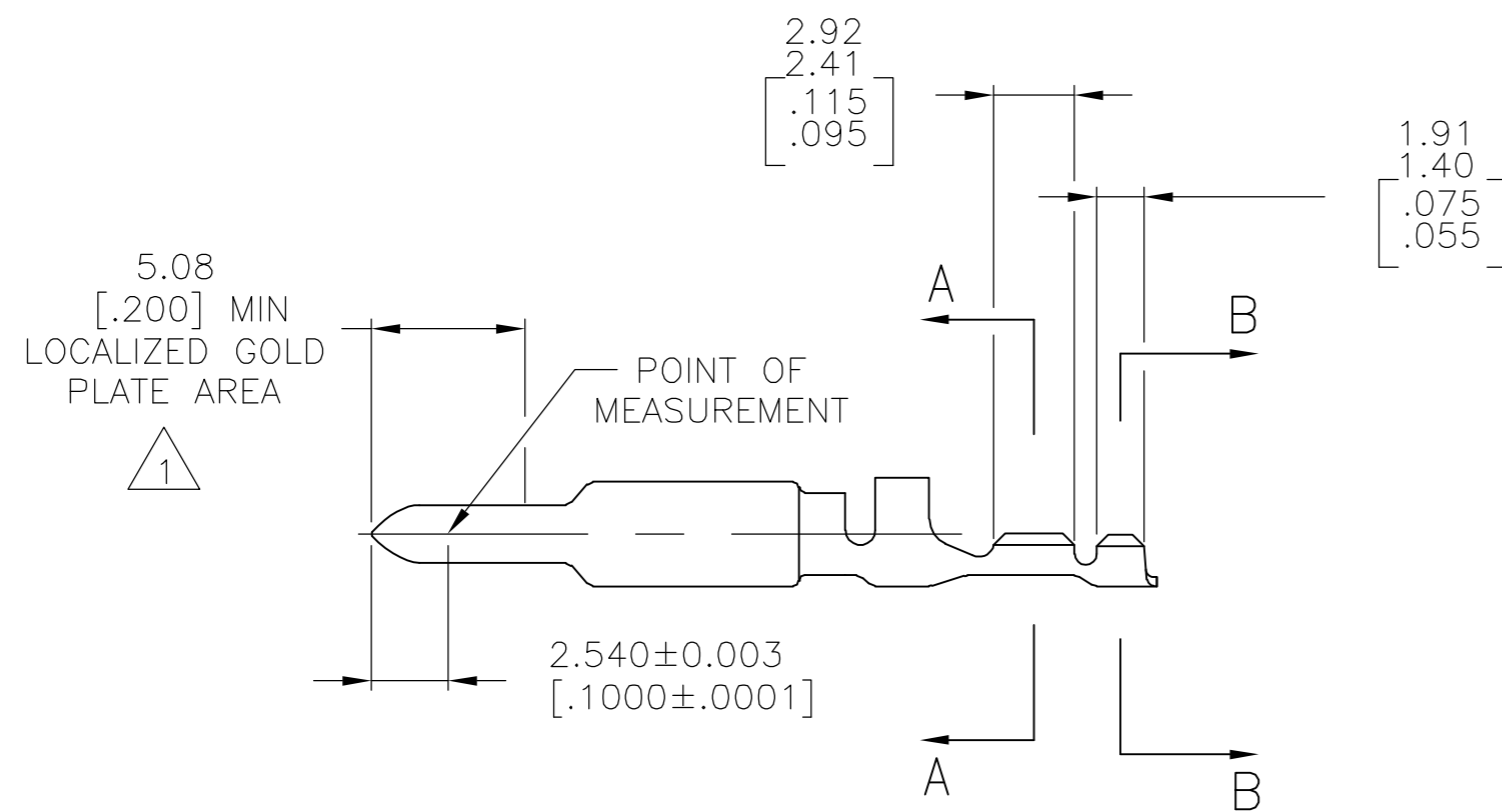


THIS DRAWING IS UNPUBLISHED. RELEASED FOR PUBLICATION
 © COPYRIGHT BY TYCO ELECTRONICS CORPORATION. ALL RIGHTS RESERVED.

LOC	DIST	REVISIONS			
P	LTR	DESCRIPTION	DATE	DWN	APVD
CM	0	B	EC 0G3B 0215 05	24SEP05	BSV RCJ



1. 0.00076[.000030] MIN GOLD AT POINT OF MEASUREMENT IN THE LOCALIZED GOLD PLATE AREA, AND ON INSIDE OF WIRE BARREL, OVER 0.00127[.000050] NICKEL ON ENTIRE CONTACT.
2. WIRE RANGE: 0.05–0.15mm² [30–26] AWG. INSULATION RANGE: 0.81–1.45 [.032–.057].
3. DIMENSIONS IN BRACKETS ARE IN INCHES.



GOLD \triangle	0.30 [.012] PH BRZ	770512-6
FINISH	MATERIAL	PART NO.

THIS DRAWING IS A CONTROLLED DOCUMENT.		DWN K. WHITAKER 24FEB89	Tyco Electronics Corporation Harrisburg, PA 17105-3608	
DIMENSIONS: mm [INCHES]		CHK R. SWING 24FEB89	NAME D. KLEIN 24FEB89	
TOLERANCES UNLESS OTHERWISE SPECIFIED:		APVD D. KLEIN 24FEB89	PRODUCT SPEC	
0 PLC ± -		APPLICATION SPEC		
1 PLC ± -		WEIGHT -		
2 PLC ± -		SIZE A2		
3 PLC ± -		CAGE CODE 00779		
4 PLC ± -		DRAWING NO C=770512		
ANGLES ± -		RESTRICTED TO -		
FINISH SEE TABLE		SCALE 4:1 SHEET 1 of 1 REV B		
MATERIAL SEE TABLE		CUSTOMER DRAWING		

METRIC