



Chipsmall Limited consists of a professional team with an average of over 10 year of expertise in the distribution of electronic components. Based in Hongkong, we have already established firm and mutual-benefit business relationships with customers from,Europe,America and south Asia,supplying obsolete and hard-to-find components to meet their specific needs.

With the principle of "Quality Parts,Customers Priority,Honest Operation,and Considerate Service",our business mainly focus on the distribution of electronic components. Line cards we deal with include Microchip,ALPS,ROHM,Xilinx,Pulse,ON,Everlight and Freescale. Main products comprise IC,Modules,Potentiometer,IC Socket,Relay,Connector.Our parts cover such applications as commercial,industrial, and automotives areas.

We are looking forward to setting up business relationship with you and hope to provide you with the best service and solution. Let us make a better world for our industry!



Contact us

Tel: +86-755-8981 8866 Fax: +86-755-8427 6832

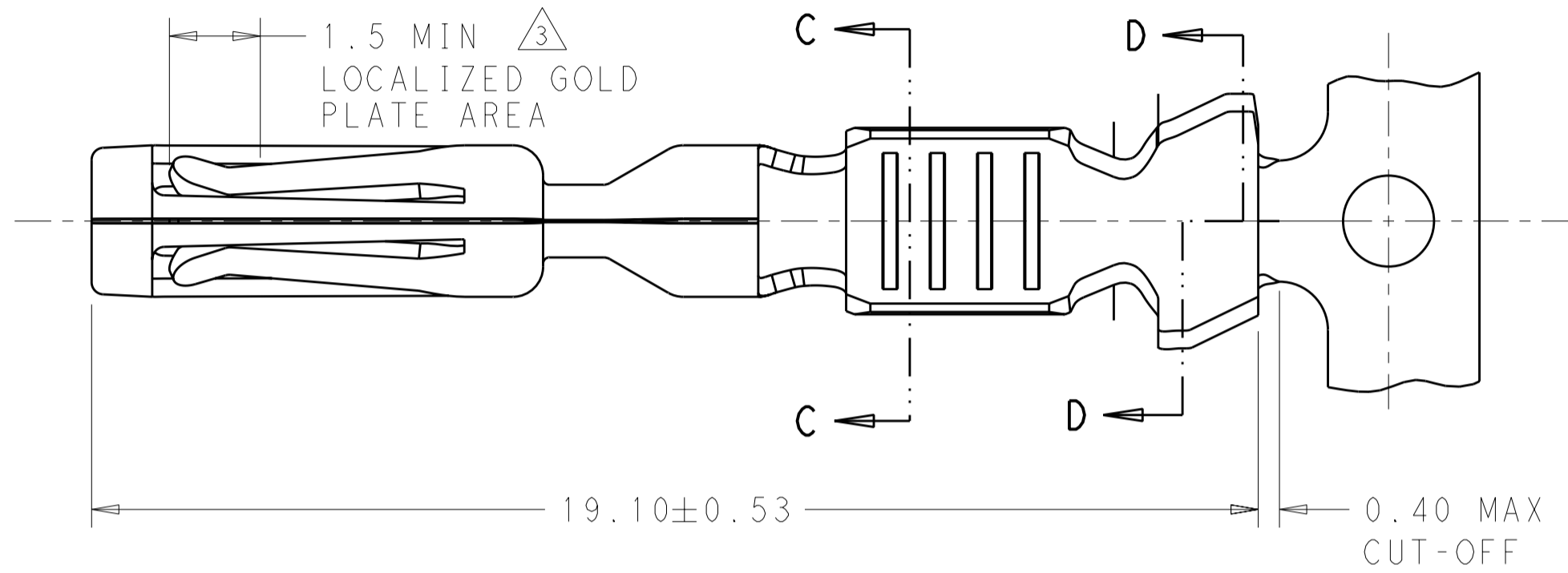
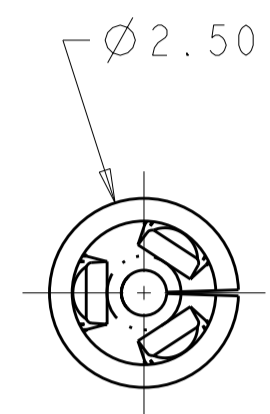
Email & Skype: info@chipsmall.com Web: www.chipsmall.com

Address: A1208, Overseas Decoration Building, #122 Zhenhua RD., Futian, Shenzhen, China



THIS DRAWING IS UNPUBLISHED. RELEASED FOR PUBLICATION 2012
 © COPYRIGHT 2012 BY TE CONNECTIVITY ALL RIGHTS RESERVED.

LOC	DIST	REVISIONS					
CM	00	P	LTR	DESCRIPTION	DATE	DWN	APVD
			D5	REV PER ECO-12-011527	19JUN2012	RGV	DCS



1. WIRE RANGE: 20-16 AWG, 1.5mm².
2. INSULATION RANGE: 1.70-2.70.
3. .00075 MIN GOLD IN THE LOCALIZED GOLD PLATE AREA, .0025 MIN MATTE TIN IN THE LOCALIZED TIN PLATE AREA OVER .00125 MIN NICKEL OVER ENTIRE CONTACT.
4. USED WITH AMPSEAL PLUG ASSEMBLY 776286, 776273, 770680, 776164.

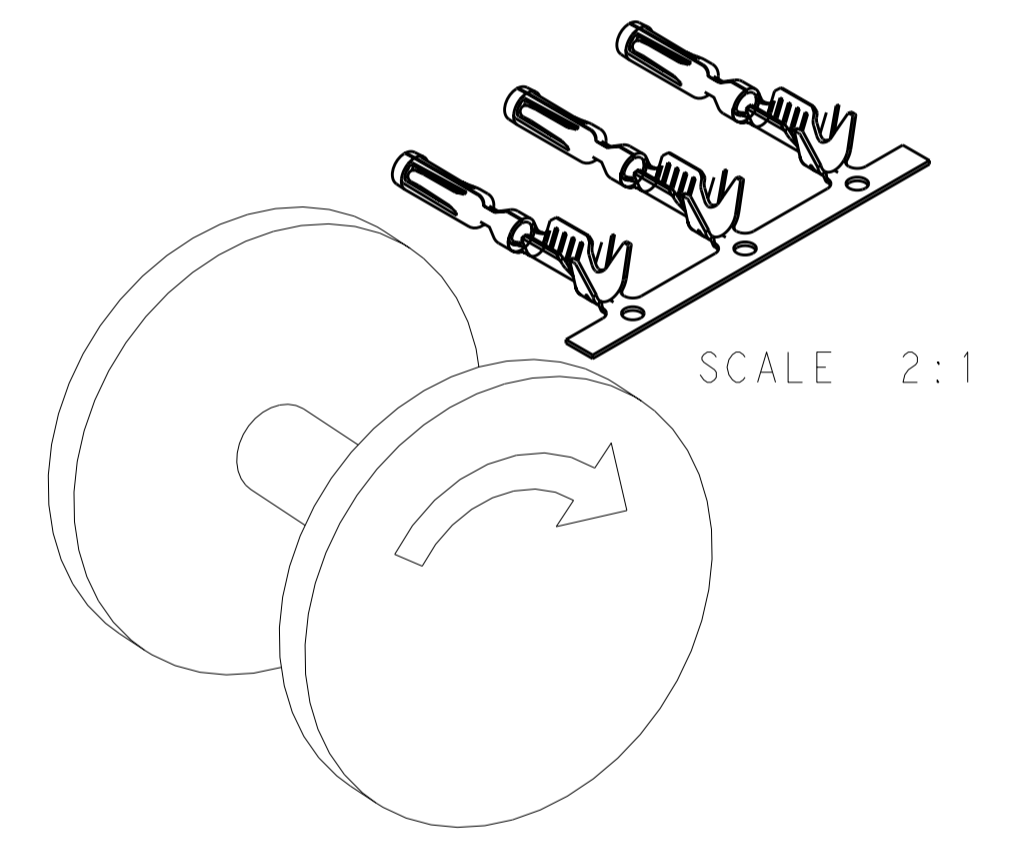
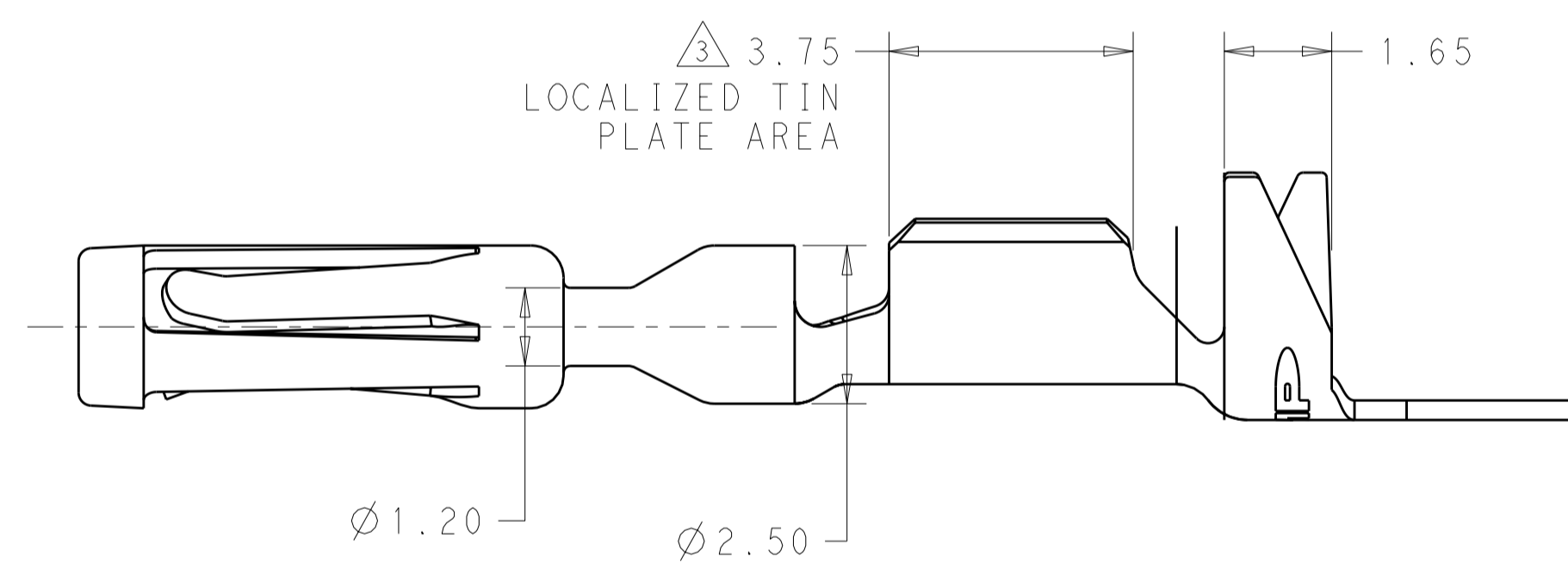
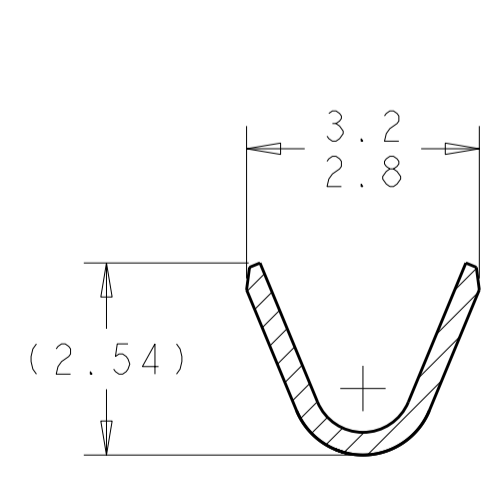
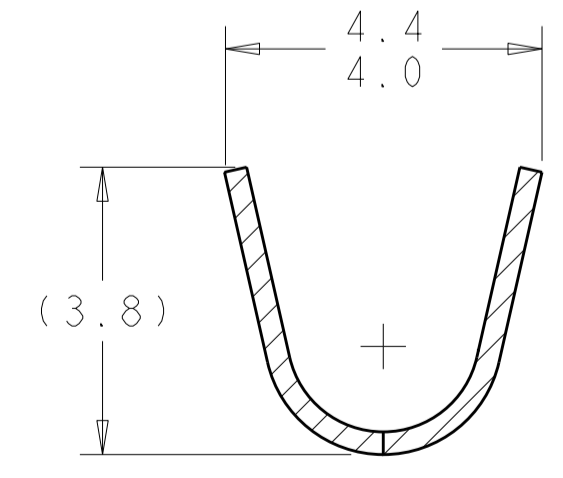


FIGURE 1
FINAL PAYOUT DIRECTION



SECTION C-C
ROTATED 90° CW



SECTION D-D
ROTATED 90° CW

FINISH	MATERIAL	PART NUMBER
GOLD ³	0.38 COPPER ALLOY	770520-3
PRE-TIN	0.38 COPPER ALLOY	770520-1

THIS DRAWING IS A CONTROLLED DOCUMENT.		DWN R. VESTAL 19JUN2012	TE Connectivity	
DIMENSIONS: mm		CHK D. STRAUSSER 19JUN2012		
TOLERANCES UNLESS OTHERWISE SPECIFIED:		APVD D. STRAUSSER 19JUN2012	NAME CONTACT, AMPSEAL	
0 PLC ±		PRODUCT SPEC 108-1329	SIZE CAGE CODE DRAWING NO RESTRICTED TO	
1 PLC ±		APPLICATION SPEC 114-16016	A200779C-770520	
2 PLC ±0.15		WEIGHT -	SCALE 10:1 SHEET 1 OF 1 REV D5	
3 PLC ±		CUSTOMER DRAWING		
4 PLC ±				
ANGLES ±				
FINISH				
SEE TABLE		SEE TABLE		