



Chipsmall Limited consists of a professional team with an average of over 10 year of expertise in the distribution of electronic components. Based in Hongkong, we have already established firm and mutual-benefit business relationships with customers from,Europe,America and south Asia,supplying obsolete and hard-to-find components to meet their specific needs.

With the principle of “Quality Parts,Customers Priority,Honest Operation,and Considerate Service”,our business mainly focus on the distribution of electronic components. Line cards we deal with include Microchip,ALPS,ROHM,Xilinx,Pulse,ON,Everlight and Freescale. Main products comprise IC,Modules,Potentiometer,IC Socket,Relay,Connector.Our parts cover such applications as commercial,industrial, and automotives areas.

We are looking forward to setting up business relationship with you and hope to provide you with the best service and solution. Let us make a better world for our industry!



Contact us

Tel: +86-755-8981 8866 Fax: +86-755-8427 6832

Email & Skype: info@chipsmall.com Web: www.chipsmall.com

Address: A1208, Overseas Decoration Building, #122 Zhenhua RD., Futian, Shenzhen, China



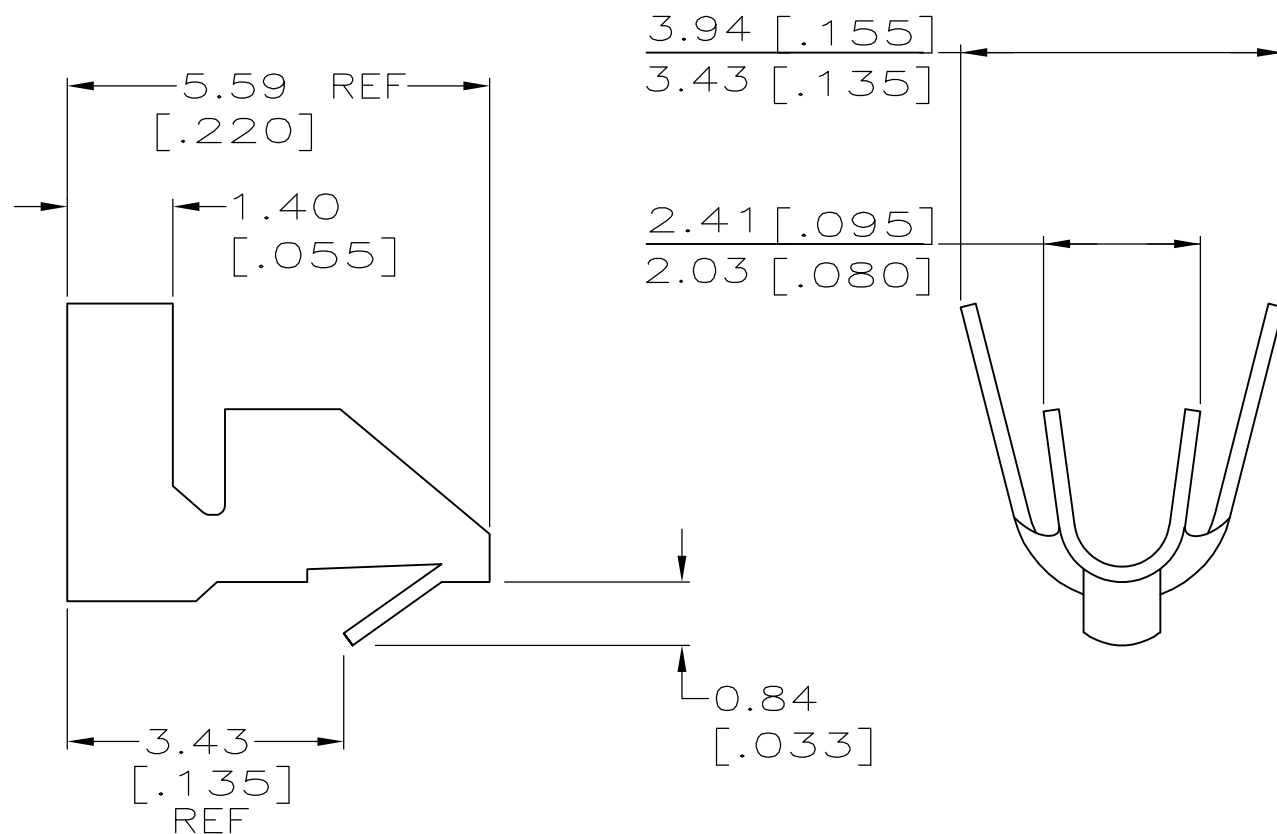
THIS DRAWING IS UNPUBLISHED.

RELEASED FOR PUBLICATION

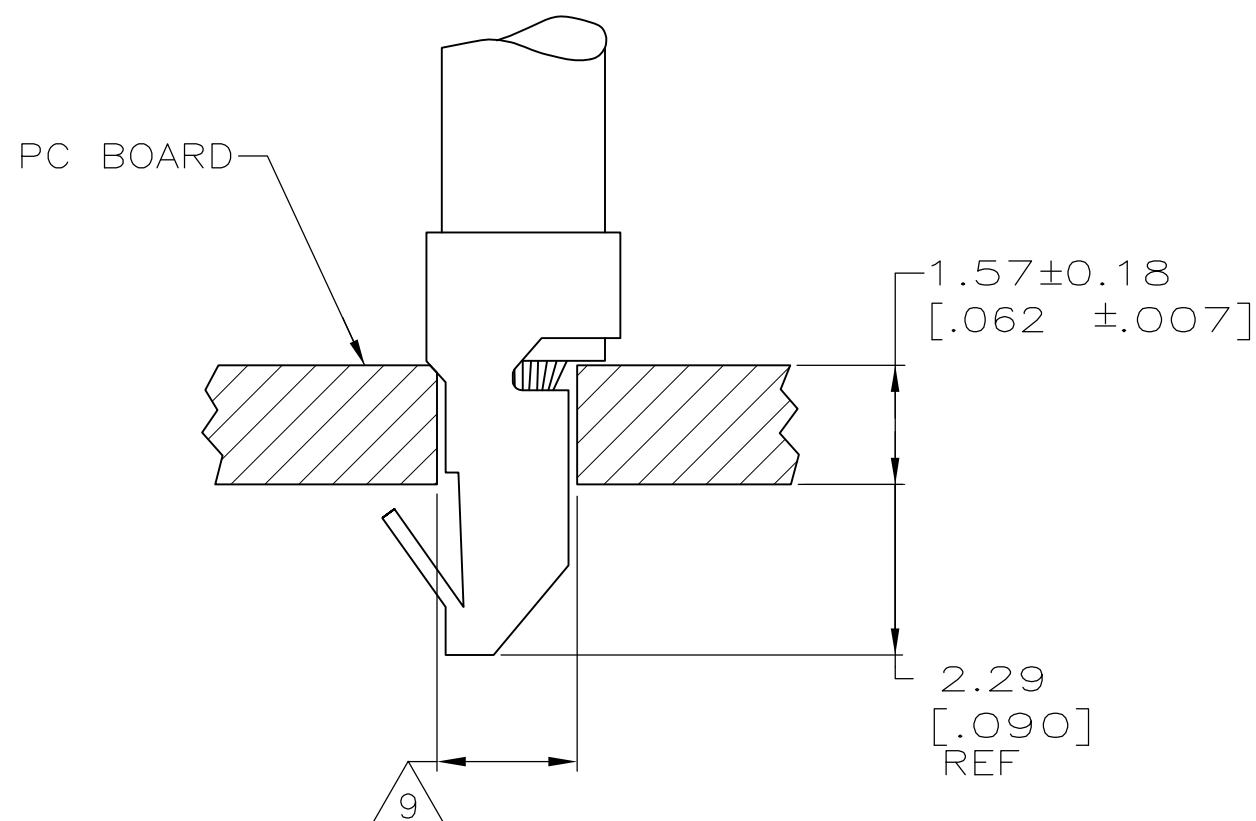
ALL RIGHTS RESERVED.

© COPYRIGHT - By -

LOC CM	DIST 00	REVISIONS			
P	LTR	DESCRIPTION	DATE	DWN	APVD
	H5	REVISED PER ECO-11-020968	18OCT11	JR	SM



- PARTS COMPLY WITH AMP SOLDERABILITY SPEC 109-11-3.
- WIRE RANGE: 0.3 - 0.9 mm² (22 - 18 AWG).
- INSULATION RANGE: 1.52 - 2.79 [.060 - .110] DIA.
- 0.00254 [.000100] MIN BRIGHT TIN-LEAD OVER 0.00203 [.000080] MIN MATTE COPPER.
- 0.00508 [.000200] MIN BRIGHT TIN-LEAD.
- DIMENSIONS IN BRACKETS ARE IN INCHES.
- FOR FOREIGN PRODUCTION ONLY.
- 4µm [.00016] MIN BRIGHT TIN PLATING.
- HOLE DIAMETER TO BE 1.83±0.08 FOR WIRE 0.3-0.6mm² (20-22 AWG) OR 1.96±0.08 FOR WIRE 0.8-0.9mm² (18 AWG).



8	0.20[.008] PHOS BRONZE	3-770565-2
8	0.20[.008] BRASS	3-770565-1
4/7	0.20[.008] BRASS	770565-3
5	0.20[.008] PHOS BRONZE	770565-2
4	0.20[.008] BRASS	770565-1
OBSOLETE		
FINISH	MATERIAL	PART NUMBER

THIS DRAWING IS A CONTROLLED DOCUMENT.		DWN B. LEWIS 12-20-89	STE TE Connectivity		
DIMENSIONS: mm [INCHES]		CHK R. SWING 12-21-89			
TOLERANCES UNLESS OTHERWISE SPECIFIED:		APVD W. LONG 12-21-89	NAME MINI AMP-IN		
0 PLC ± -		PRODUCT SPEC	-		
1 PLC ± -		APPLICATION SPEC	-		
2 PLC ± -		WEIGHT	-		
3 PLC ± 0.13[.005]		SIZE	CAGE CODE	DRAWING NO	RESTRICTED TO
4 PLC ± -		A3	00779	C-770565	-
ANGLES ± -		CUSTOMER DRAWING		SCALE	SHEET
MATERIAL SEE TABLE		FINISH SEE TABLE		10:1	1 OF 1
				REV	H5