



Chipsmall Limited consists of a professional team with an average of over 10 year of expertise in the distribution of electronic components. Based in Hongkong, we have already established firm and mutual-benefit business relationships with customers from,Europe,America and south Asia,supplying obsolete and hard-to-find components to meet their specific needs.

With the principle of "Quality Parts,Customers Priority,Honest Operation,and Considerate Service",our business mainly focus on the distribution of electronic components. Line cards we deal with include Microchip,ALPS,ROHM,Xilinx,Pulse,ON,Everlight and Freescale. Main products comprise IC,Modules,Potentiometer,IC Socket,Relay,Connector.Our parts cover such applications as commercial,industrial, and automotives areas.

We are looking forward to setting up business relationship with you and hope to provide you with the best service and solution. Let us make a better world for our industry!



## Contact us

Tel: +86-755-8981 8866 Fax: +86-755-8427 6832

Email & Skype: info@chipsmall.com Web: www.chipsmall.com

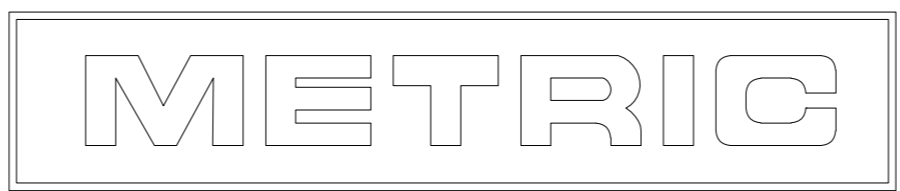
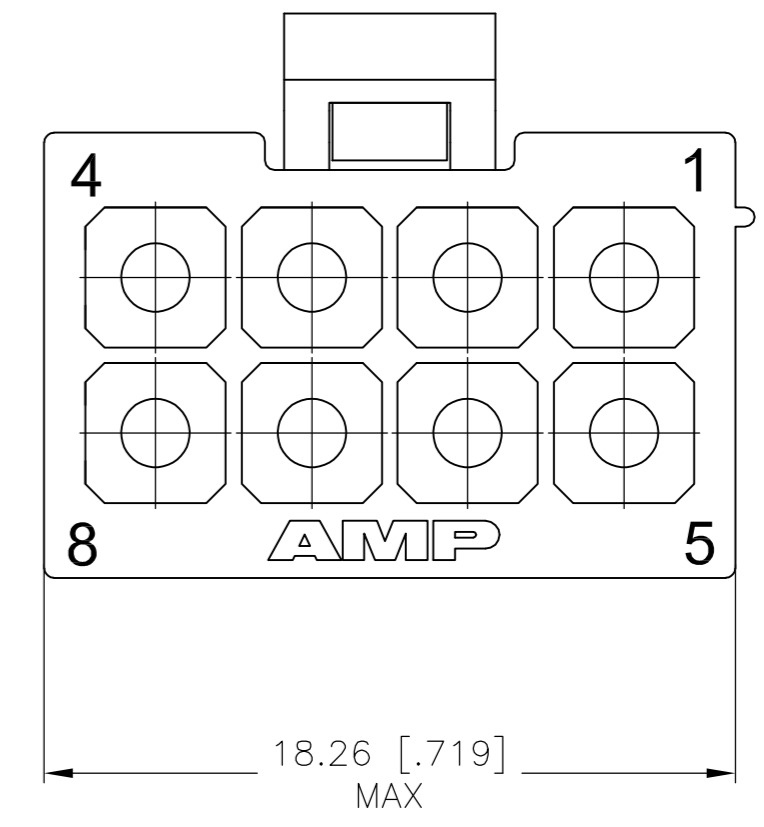
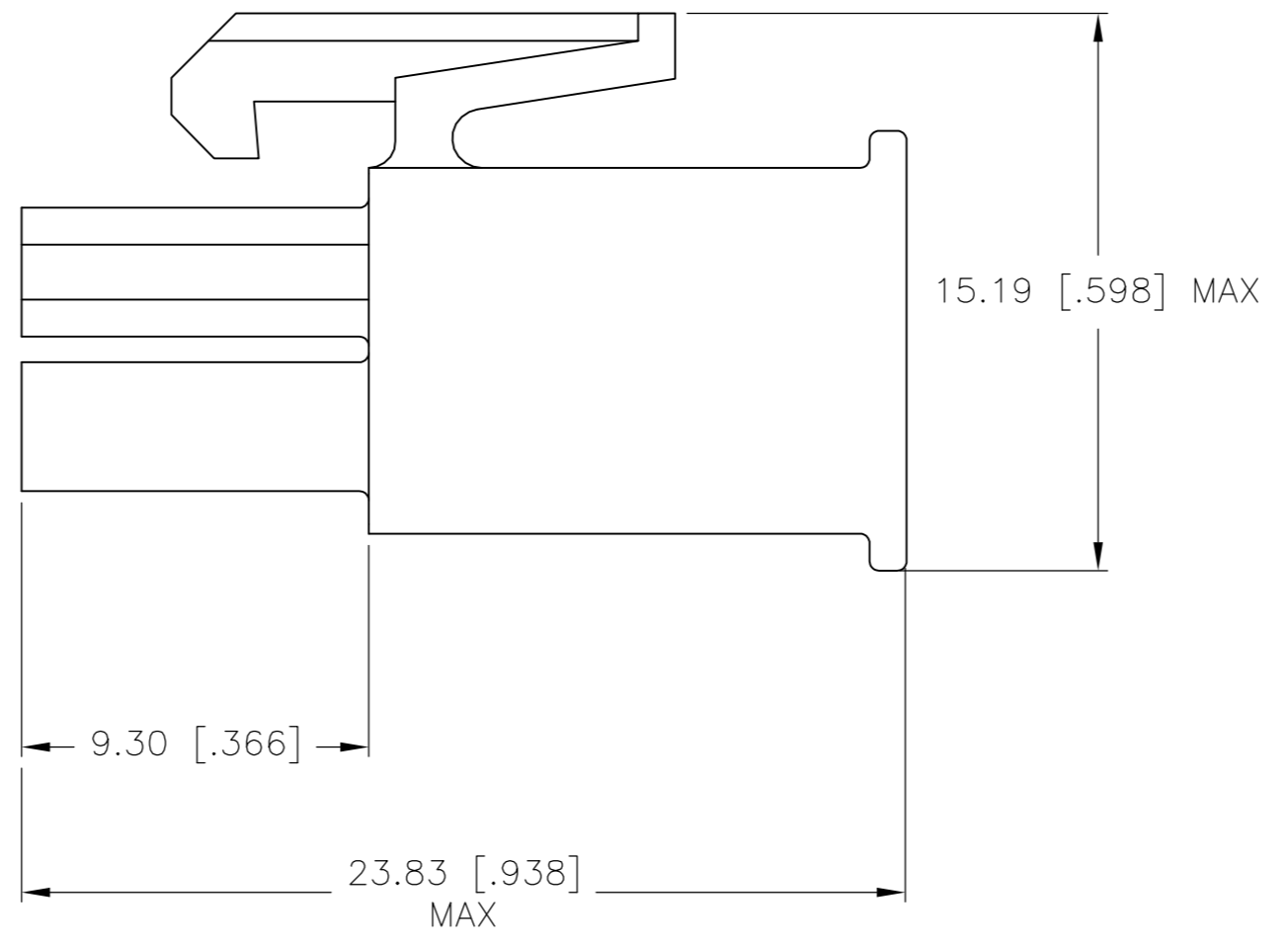
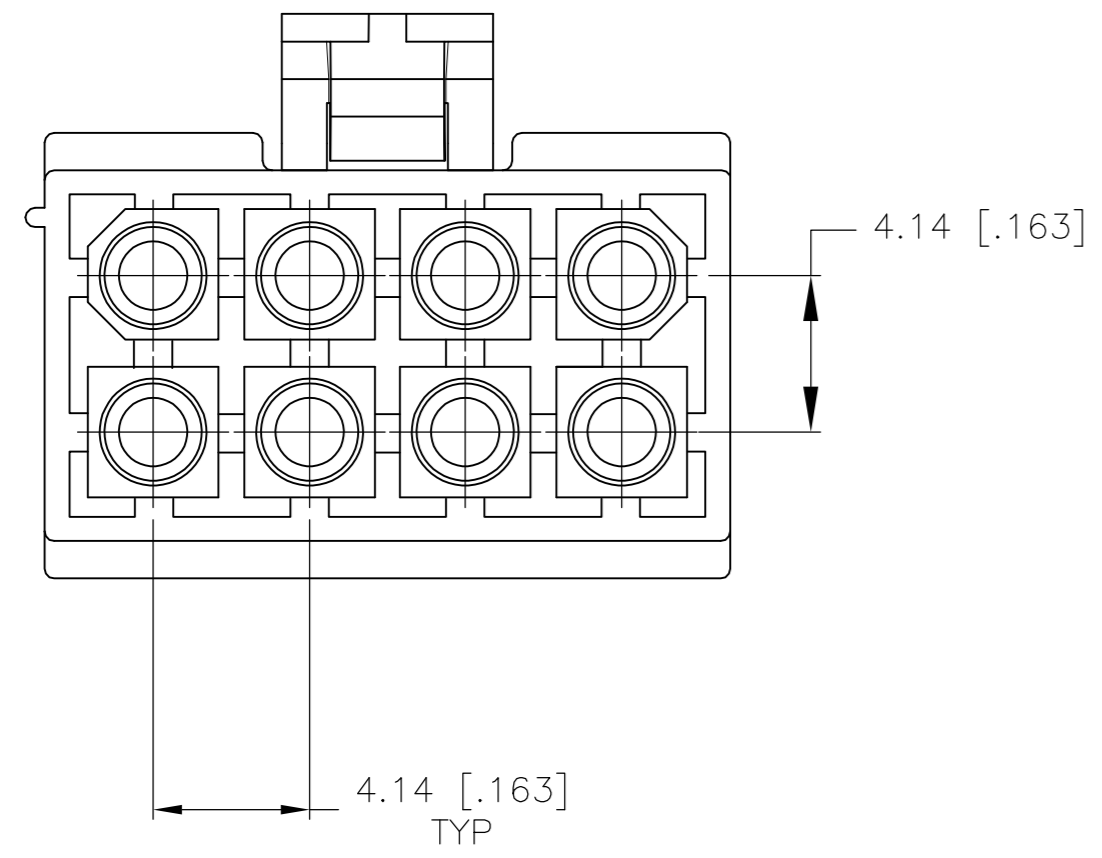
Address: A1208, Overseas Decoration Building, #122 Zhenhua RD., Futian, Shenzhen, China



THIS DRAWING IS UNPUBLISHED. RELEASED FOR PUBLICATION  
 © COPYRIGHT By - ALL RIGHTS RESERVED.

LOC		DIST		REVISIONS			
P	LTR	DESCRIPTION		DATE	DWN	APVD	
CM	00	H1		REVISED PER ECO-11-004820	11MAR11	RK	HMR

1. INDIVIDUAL CORING FEATURES AROUND BASES OF SILOS MAY NOT BE PRESENT IN ALL LOCATIONS SHOWN.



770579-1  
PART NUMBER

THIS DRAWING IS A CONTROLLED DOCUMENT.		DWN	S. HOOVER	14-MAY-2004	TE Connectivity		
DIMENSIONS: mm [INCHES]		CHK	C. JONES	12-MAY-2004			
TOLERANCES UNLESS OTHERWISE SPECIFIED:		APVD	C. JONES	12-MAY-2004	NAME		
0 PLC ±	PRODUCT SPEC	APPLICATION SPEC			PLUG, 8 CIRCUIT, MINI UNIVERSAL MATE-N-LOK™		
1 PLC ±	PRODUCT SPEC	SIZE	A2	CAGE CODE	00779	DRAWING NO	C=770579
2 PLC ±	PRODUCT SPEC	WEIGHT	CUSTOMER DRAWING		SCALE	5:1	SHEET 1 of 1
3 PLC ± 0.13 [.005]	PRODUCT SPEC	RESTRICTED TO		REV	H1		
4 PLC ±	PRODUCT SPEC						
ANGLES ±	PRODUCT SPEC						
FINISH	PRODUCT SPEC						
MATERIAL	NYLON, UL 94V-0 WHITE						