



Chipsmall Limited consists of a professional team with an average of over 10 year of expertise in the distribution of electronic components. Based in Hongkong, we have already established firm and mutual-benefit business relationships with customers from,Europe,America and south Asia,supplying obsolete and hard-to-find components to meet their specific needs.

With the principle of “Quality Parts,Customers Priority,Honest Operation,and Considerate Service”,our business mainly focus on the distribution of electronic components. Line cards we deal with include Microchip,ALPS,ROHM,Xilinx,Pulse,ON,Everlight and Freescale. Main products comprise IC,Modules,Potentiometer,IC Socket,Relay,Connector.Our parts cover such applications as commercial,industrial, and automotives areas.

We are looking forward to setting up business relationship with you and hope to provide you with the best service and solution. Let us make a better world for our industry!



Contact us

Tel: +86-755-8981 8866 Fax: +86-755-8427 6832

Email & Skype: info@chipsmall.com Web: www.chipsmall.com

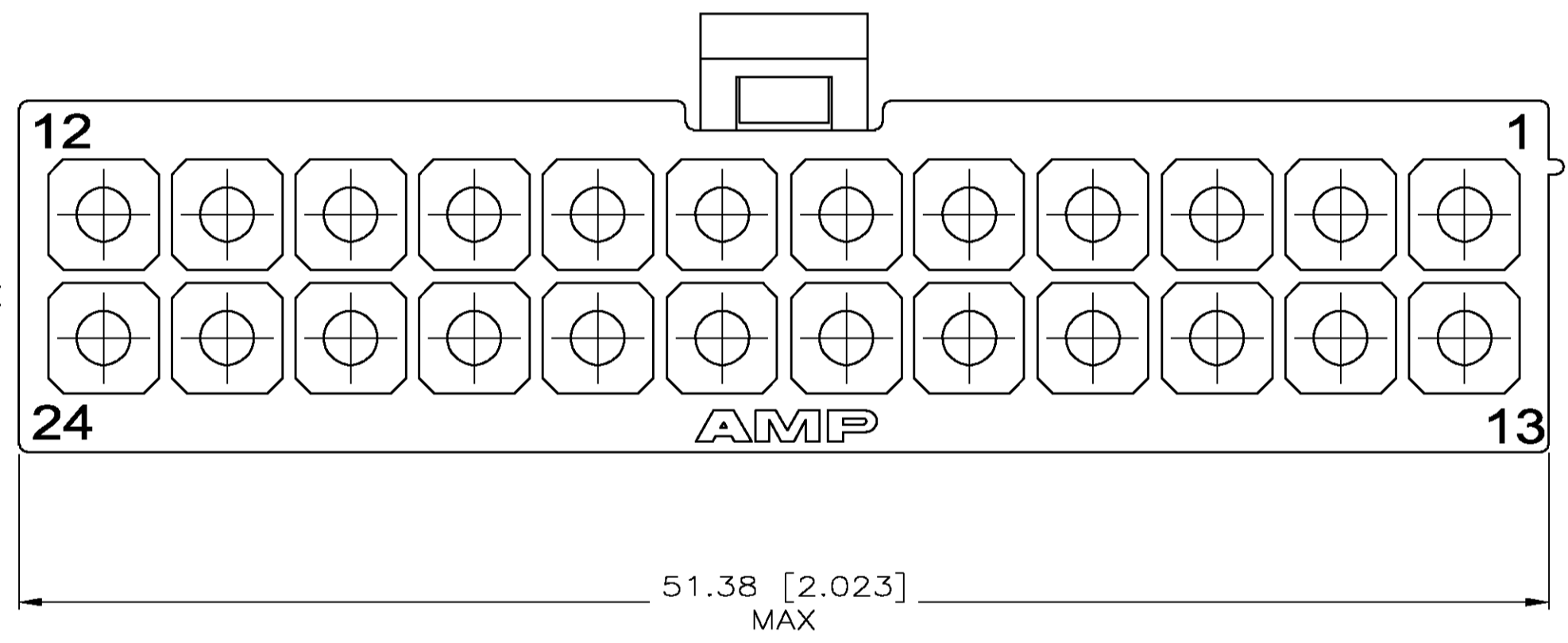
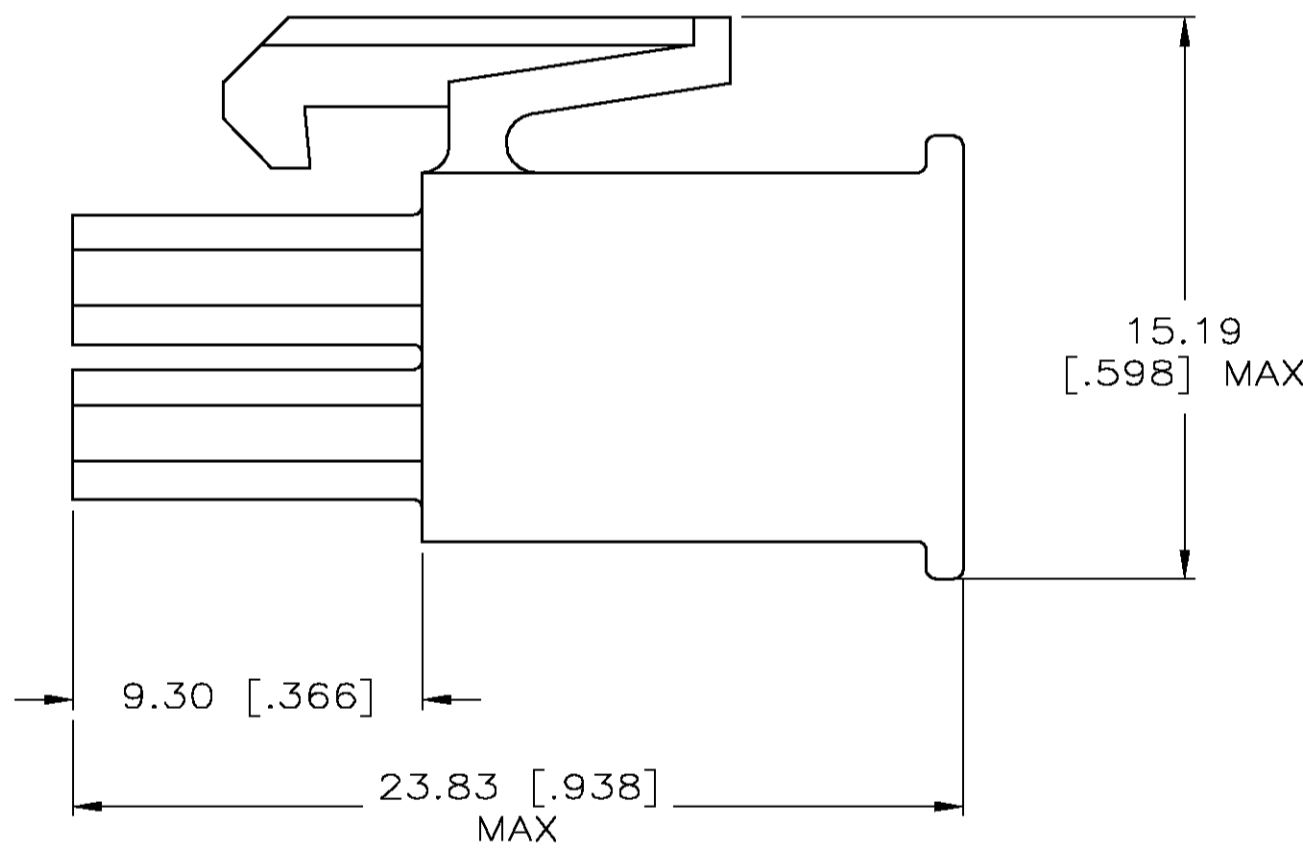
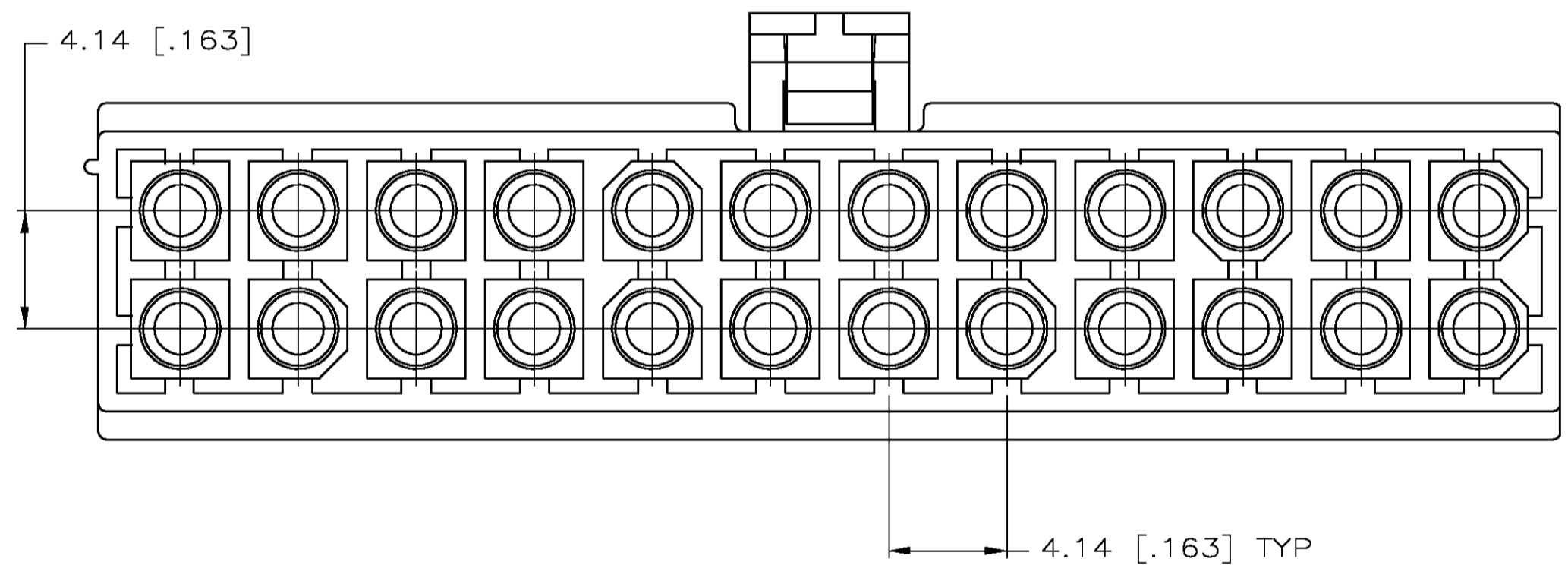
Address: A1208, Overseas Decoration Building, #122 Zhenhua RD., Futian, Shenzhen, China



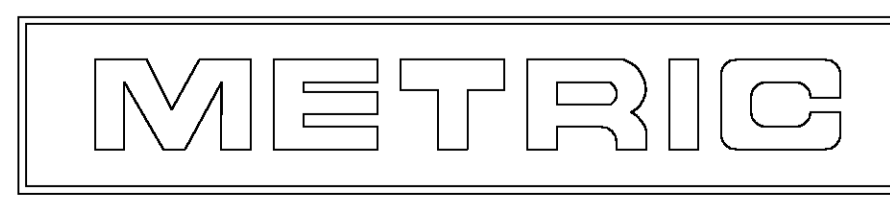
THIS DRAWING IS UNPUBLISHED. RELEASED FOR PUBLICATION
 BY TYCO ELECTRONICS CORPORATION. ALL RIGHTS RESERVED.

LOC		DIST		REVISIONS			
P	LTR	DESCRIPTION	DATE	OWN	APVD		
G		REVISED PER 063B-0960-04	22-NOV-04	KW	CJ		

1. INDIVIDUAL CORING FEATURES AROUND BASES OF SILOS MAY NOT BE PRESENT IN ALL LOCATIONS SHOWN.



770587-1
PART NUMBER



THIS DRAWING IS A CONTROLLED DOCUMENT.		OWN S. HOOPER 12-MAY-2004	Tyco Electronics Corporation Harrisburg, Pa 17105-3608
DIMENSIONS: mm [INCHES]		CHK C. JONES 12-MAY-2004	
TOLERANCES UNLESS OTHERWISE SPECIFIED:		APVD C. JONES 12-MAY-2004	NAME PLUG, 24 CIRCUIT, MINI UNIVERSAL MATE-N-LOK™
0 PLC ±		PRODUCT SPEC	APPLICATION SPEC
1 PLC ±			WEIGHT
2 PLC ±			SCALE 4:1
3 PLC ± 0.13 [005]			SHEET 1 OF 1
4 PLC ±			REV G
ANGLES ±			
FINISH			
MATERIAL NYLON, UL 94V-0 WHITE		SIZE A1	CAGE CODE 00779
		DRAWING NO 770587	RESTRICTED TO
		CUSTOMER DRAWING	