



Chipsmall Limited consists of a professional team with an average of over 10 year of expertise in the distribution of electronic components. Based in Hongkong, we have already established firm and mutual-benefit business relationships with customers from,Europe,America and south Asia,supplying obsolete and hard-to-find components to meet their specific needs.

With the principle of “Quality Parts,Customers Priority,Honest Operation,and Considerate Service”,our business mainly focus on the distribution of electronic components. Line cards we deal with include Microchip,ALPS,ROHM,Xilinx,Pulse,ON,Everlight and Freescale. Main products comprise IC,Modules,Potentiometer,IC Socket,Relay,Connector.Our parts cover such applications as commercial,industrial, and automotives areas.

We are looking forward to setting up business relationship with you and hope to provide you with the best service and solution. Let us make a better world for our industry!



Contact us

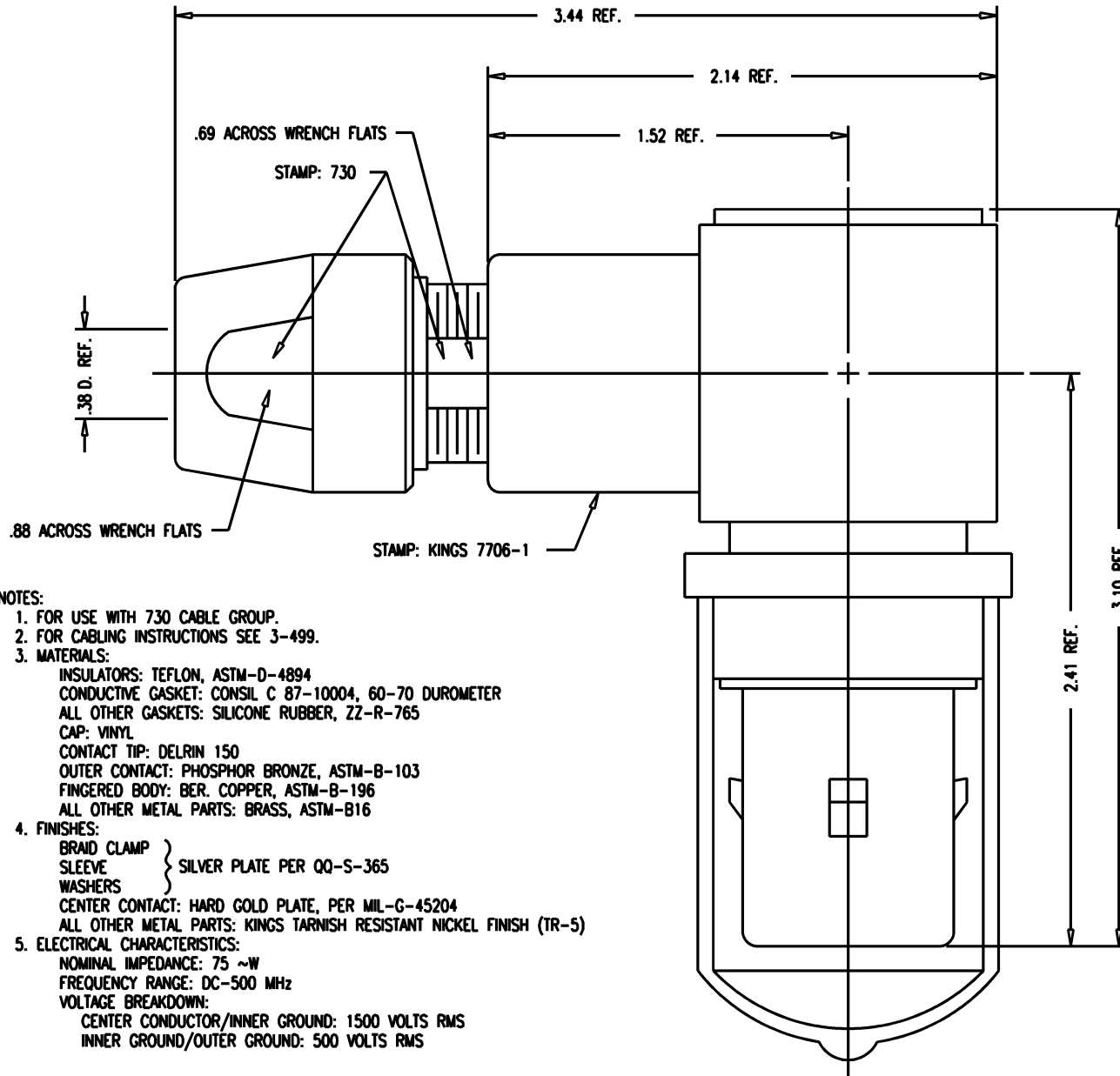
Tel: +86-755-8981 8866 Fax: +86-755-8427 6832

Email & Skype: info@chipsmall.com Web: www.chipsmall.com

Address: A1208, Overseas Decoration Building, #122 Zhenhua RD., Futian, Shenzhen, China



SD



NOTES:

- FOR USE WITH 730 CABLE GROUP.
- FOR CABLING INSTRUCTIONS SEE 3-499.
- MATERIALS:
 - INSULATORS: TEFLON, ASTM-D-4894
 - CONDUCTIVE GASKET: CONSIL C 87-10004, 60-70 DUROMETER
 - ALL OTHER GASKETS: SILICONE RUBBER, ZZ-R-765
 - CAP: VINYL
 - CONTACT TIP: DELRIN 150
 - OUTER CONTACT: PHOSPHOR BRONZE, ASTM-B-103
 - FINGERED BODY: BR. COPPER, ASTM-B-196
 - ALL OTHER METAL PARTS: BRASS, ASTM-B16
- FINISHES:
 - BRAID CLAMP } SILVER PLATE PER QQ-S-365
 - SLEEVE } SILVER PLATE PER QQ-S-365
 - WASHERS } SILVER PLATE PER QQ-S-365
 - CENTER CONTACT: HARD GOLD PLATE, PER MIL-G-45204
 - ALL OTHER METAL PARTS: KINGS TARNISH RESISTANT NICKEL FINISH (TR-5)
- ELECTRICAL CHARACTERISTICS:
 - NOMINAL IMPEDANCE: 75 \sim W
 - FREQUENCY RANGE: DC-500 MHz
 - VOLTAGE BREAKDOWN:
 - CENTER CONDUCTOR/INNER GROUND: 1500 VOLTS RMS
 - INNER GROUND/OUTER GROUND: 500 VOLTS RMS

7706-1

REVISIONS

ISSUE	CHANGES
0	ER 35445 ME 04/21/95
1	CN 37652 A HVN 08/18/98
2	CN 37692 C HVN 10/05/98
3	CN 38864 E JPK 06/03/03

7706-1SD

SCALE 2:1

APPROX SURFACE AREA

USED ON

REF: KP-8013-730-400

PLUG, ANGLE, TRI-LOC
SERIAL DIGITAL

DRAWN ME DATE 04/21/95

DESIGN DW DATE 04/22/95

APPR. DATE

KINGS
ELECTRONICS CO., INC.
ROCK HILL, SOUTH CAROLINA 29730

SD

7706-1