



Chipsmall Limited consists of a professional team with an average of over 10 year of expertise in the distribution of electronic components. Based in Hongkong, we have already established firm and mutual-benefit business relationships with customers from,Europe,America and south Asia,supplying obsolete and hard-to-find components to meet their specific needs.

With the principle of “Quality Parts,Customers Priority,Honest Operation,and Considerate Service”,our business mainly focus on the distribution of electronic components. Line cards we deal with include Microchip,ALPS,ROHM,Xilinx,Pulse,ON,Everlight and Freescale. Main products comprise IC,Modules,Potentiometer,IC Socket,Relay,Connector.Our parts cover such applications as commercial,industrial, and automotives areas.

We are looking forward to setting up business relationship with you and hope to provide you with the best service and solution. Let us make a better world for our industry!



Contact us

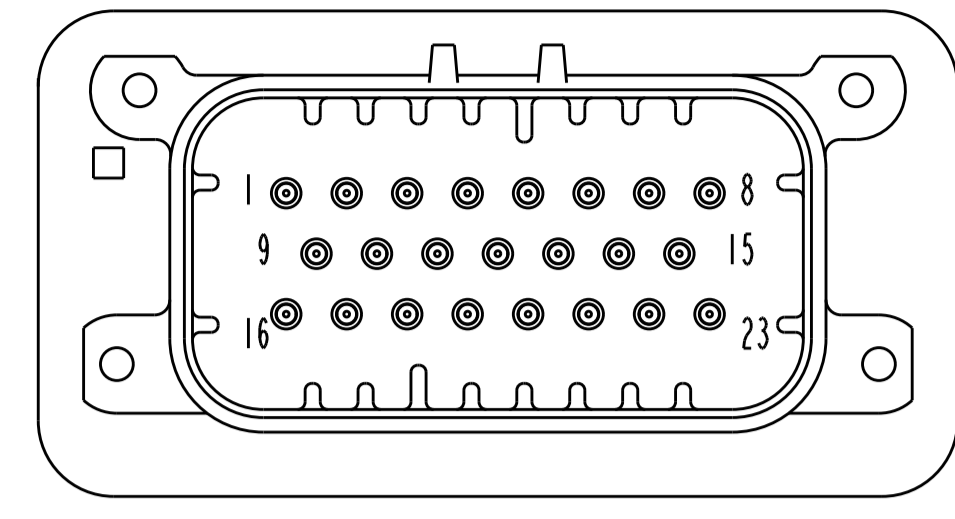
Tel: +86-755-8981 8866 Fax: +86-755-8427 6832

Email & Skype: info@chipsmall.com Web: www.chipsmall.com

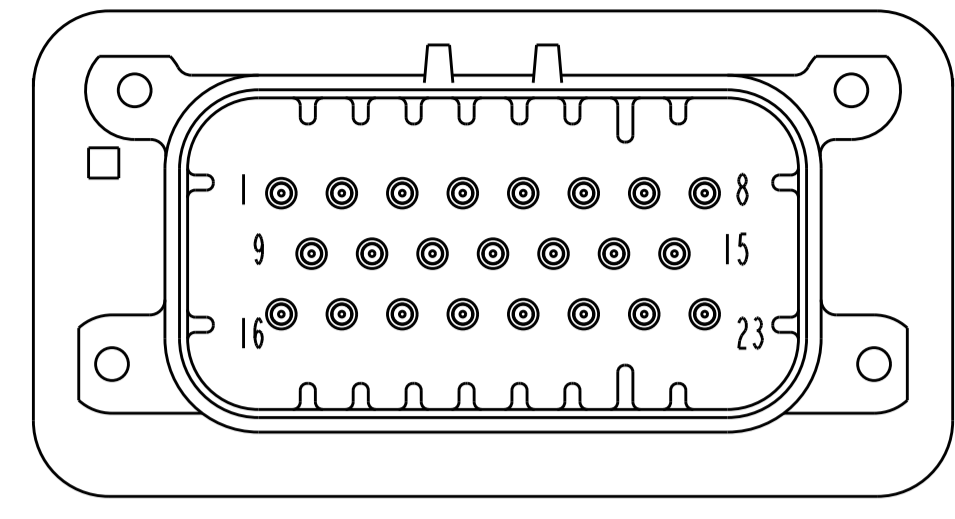
Address: A1208, Overseas Decoration Building, #122 Zhenhua RD., Futian, Shenzhen, China



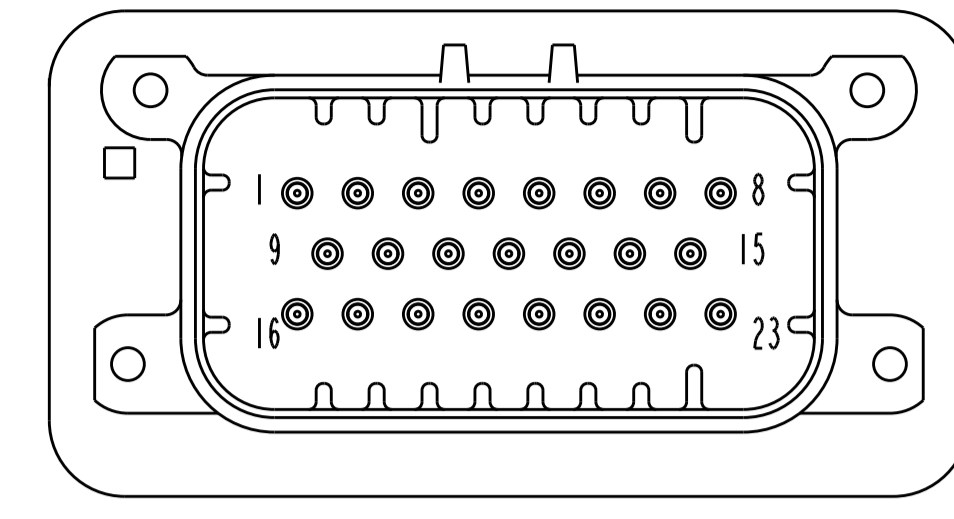
LOC	DIST	REVISIONS					
GE	00	P.	LTH	DESCRIPTION	DATE	DWN	APVD
		K4		REVISED PER ECO-11-005030	11MAR2011	RK	HMR
		K5		REVISED PER ECO-12-009257	29MAY2012	DD	DS
		K6		REVISED PER ECO-12-016002	05SEP2012	DD	DS
		K7		REVISED PER ECO-13-001836	14FEB2013	DD	DS



770669-2 & 1-770669-2
 KEY LOCATION
 SCALE 2:1

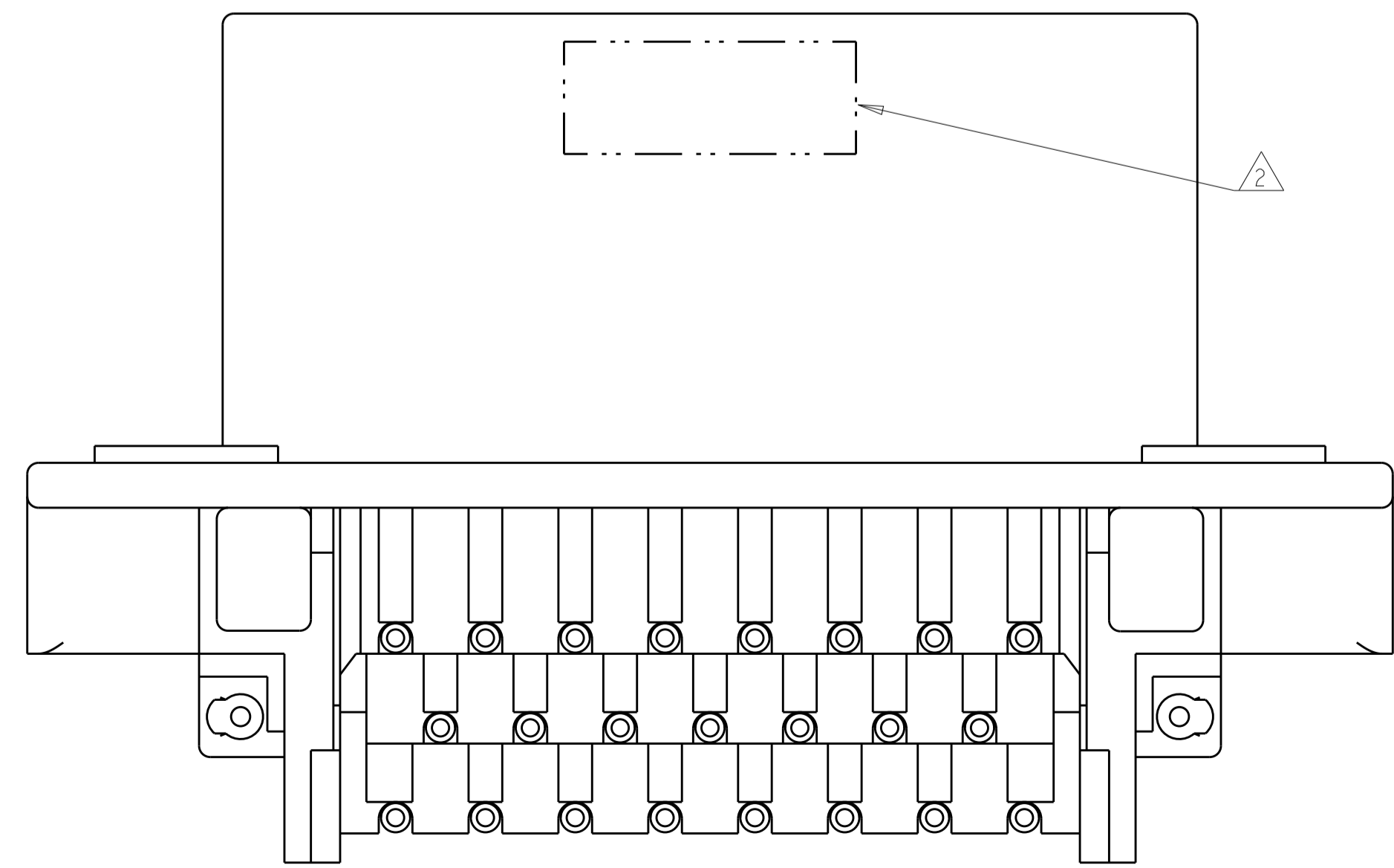
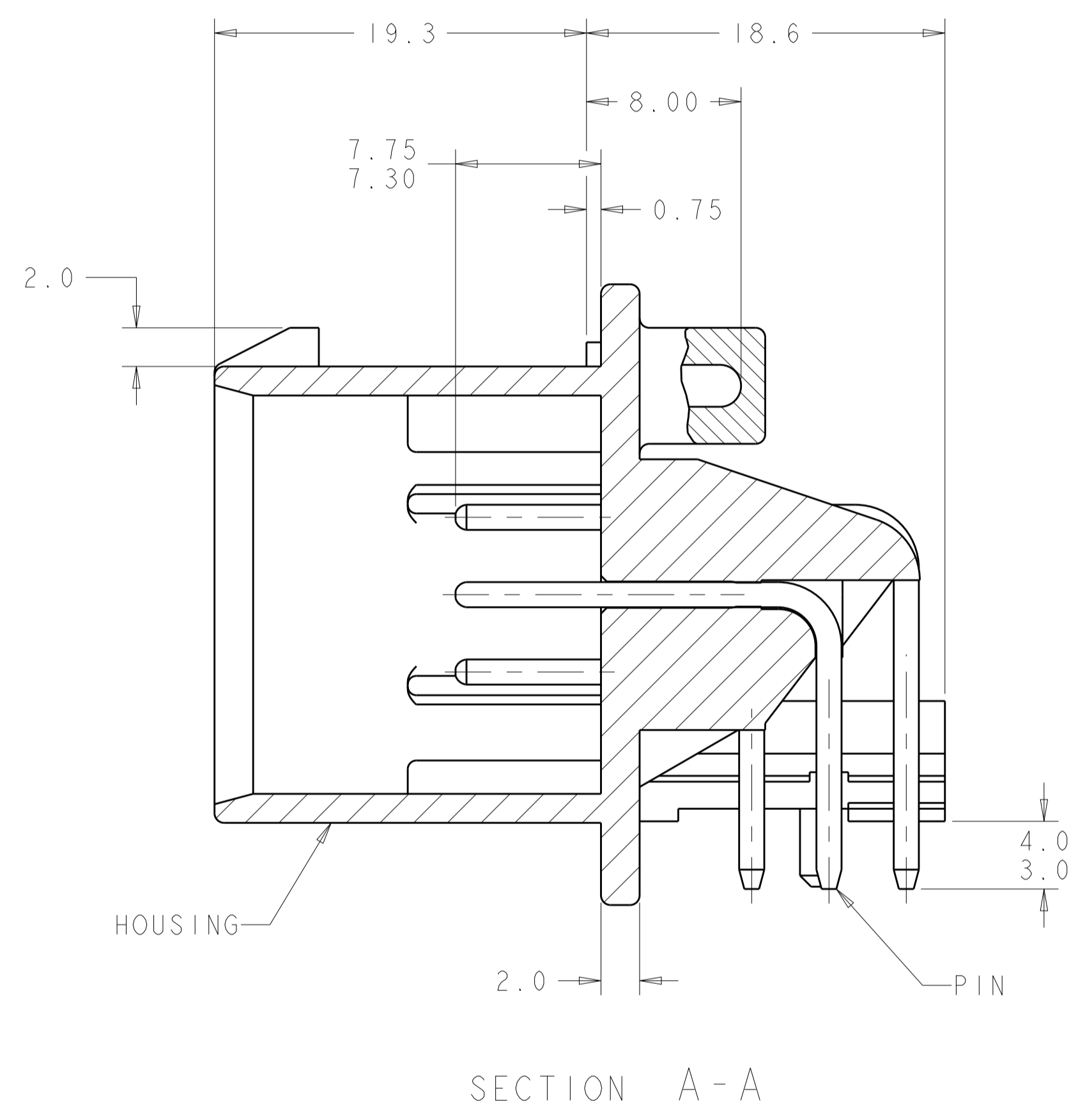
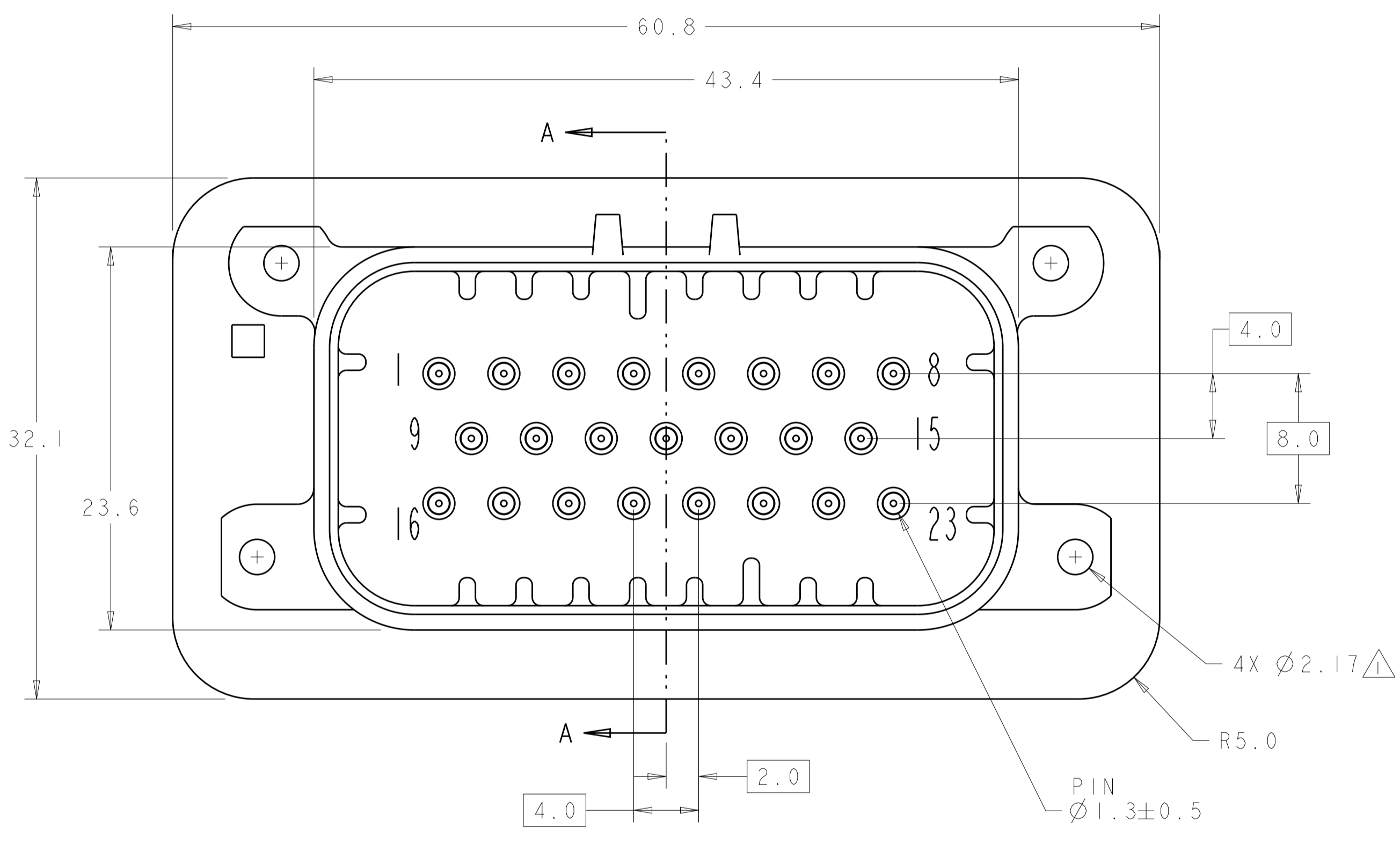


770669-4 & 1-770669-4
 KEY LOCATION
 SCALE 2:1



770669-5 & 1-770669-5
 KEY LOCATION
 SCALE 2:1

- 1 ACCEPTS #4 SELF TAPPING THREAD FORMING SCREWS OR METRIC EQUIVALENT. DRIVE TO 0.6±0.2 N-m MAX.
- 2 DATE CODE TO BE BRANDED IN THIS LOCATION PER TE SPEC 102-60 USE 5 DIGIT CODE: FIRST 2 DIGITS = YEAR, SECOND 2 DIGITS = WEEK LAST DIGIT = DAY
- 3 HOUSING COLORS ARE MECHANICALLY KEyed TO MATE ONLY WITH IDENTICALLY COLORED PLUG ASSEMBLIES.
- 4 MATERIALS: HEADER HOUSING - GLASS FILLED PBT
 PINS: TIN OR GOLD PLATED BRASS
- 5. HEADER MATES TO PLUG ASSEMBLY 770680 WHICH USES REELED TERMINALS 770520 OR LOOSE PIECE TERMINALS 770854



770669-1 & 1-770669-1
 KEY LOCATION AS SHOWN

DURAGOLD	BLUE	1-770669-5
DURAGOLD	GRAY	1-770669-4
DURAGOLD	NATURAL	1-770669-2
DURAGOLD	BLACK	1-770669-1
TIN	BLUE	770669-5
TIN	GRAY	770669-4
TIN	NATURAL	770669-2
TIN	BLACK	770669-1
PLATING	HEADER COLOR/3	PART NUMBER

THIS DRAWING IS A CONTROLLED DOCUMENT.

DIMENSIONS: mm

TOLERANCES UNLESS OTHERWISE SPECIFIED:

0 PLC	±	
1 PLC	±0.3	
2 PLC	±0.13	
3 PLC	±	
4 PLC	±	
ANGLES	±	

MATERIAL: 4

FINISH: 4

Customer Drawing

DWN: R. VESTAL 31DEC2002
 CHK: D. CROWE 31DEC2002
 APVD: D. CROWE 31DEC2002

PRODUCT SPEC: 108-1329
 APPLICATION SPEC: 114-16016

WEIGHT: -

SIZE: A1
 CAGE CODE: 100779
 DRAWING NO: 770669

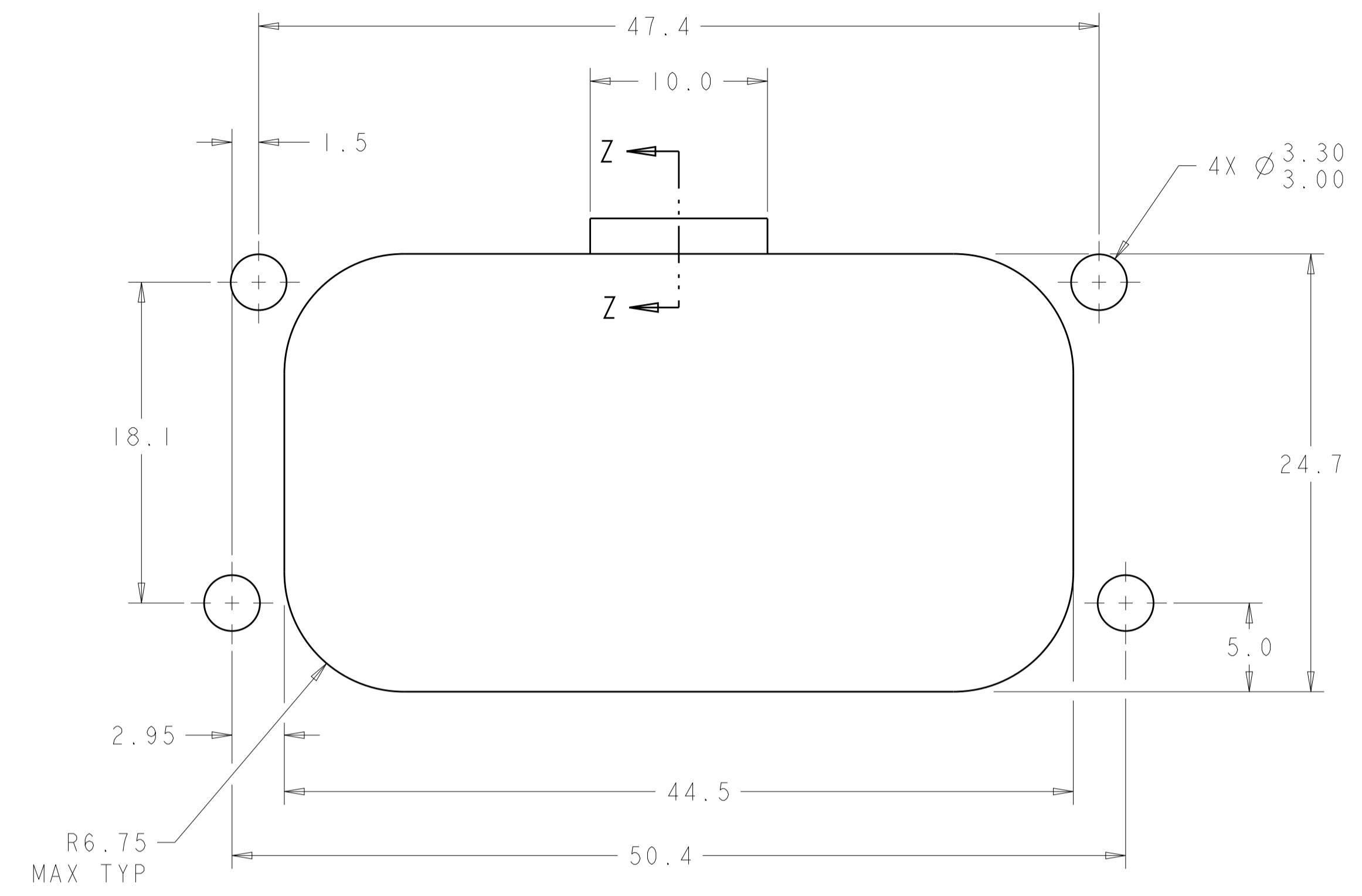
RESTRICTED TO: -

SCALE: 4:1 SHEET 1 OF 2 REV: K7

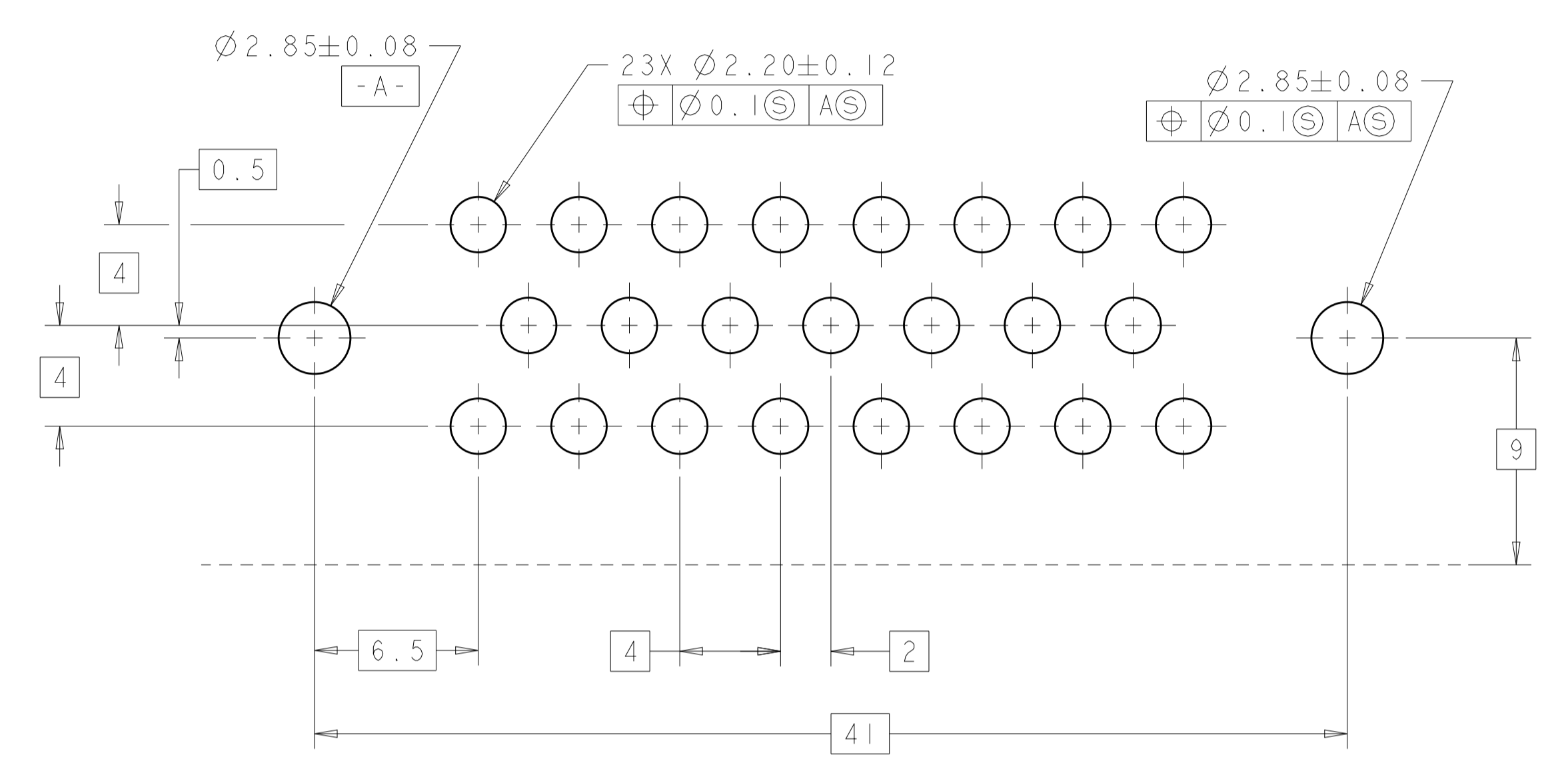
TE Connectivity
 NAME: HEADER ASSEMBLY, 23 POSITION, RIGHT ANGLE AMPSEAL

LOC	DIST	REV	DATE	BY	APPV
GE	00				

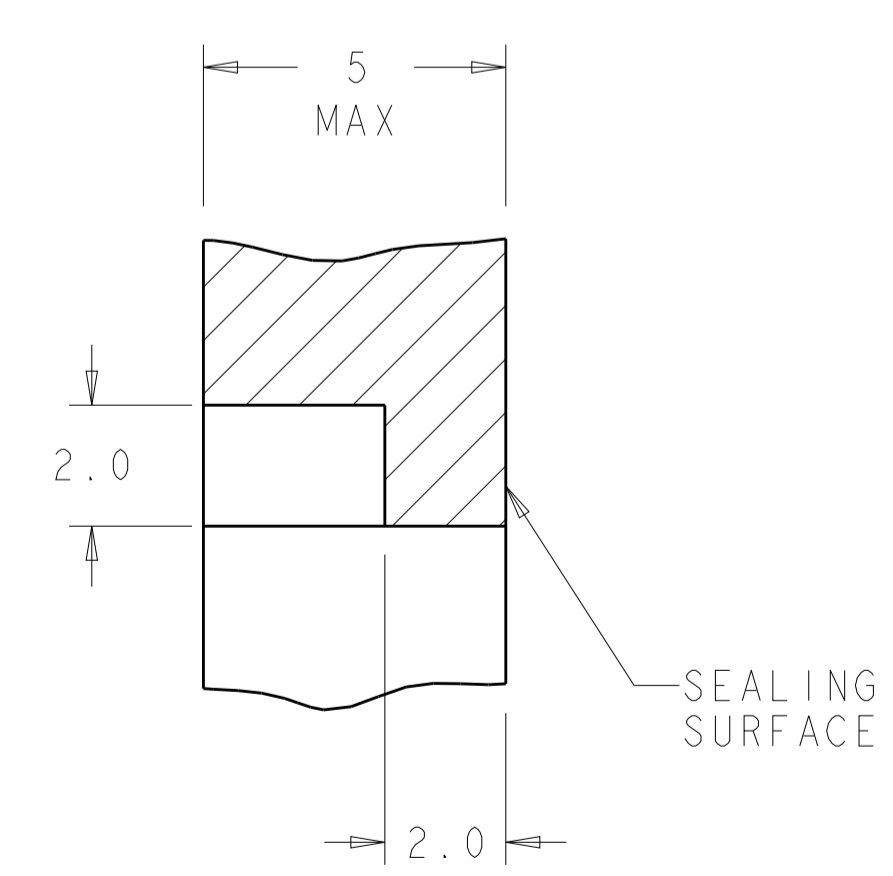
REVISIONS					
REV	DATE	BY	APPV	DESCRIPTION	DATE
-	-	-	-	SEE SHEET 1	-



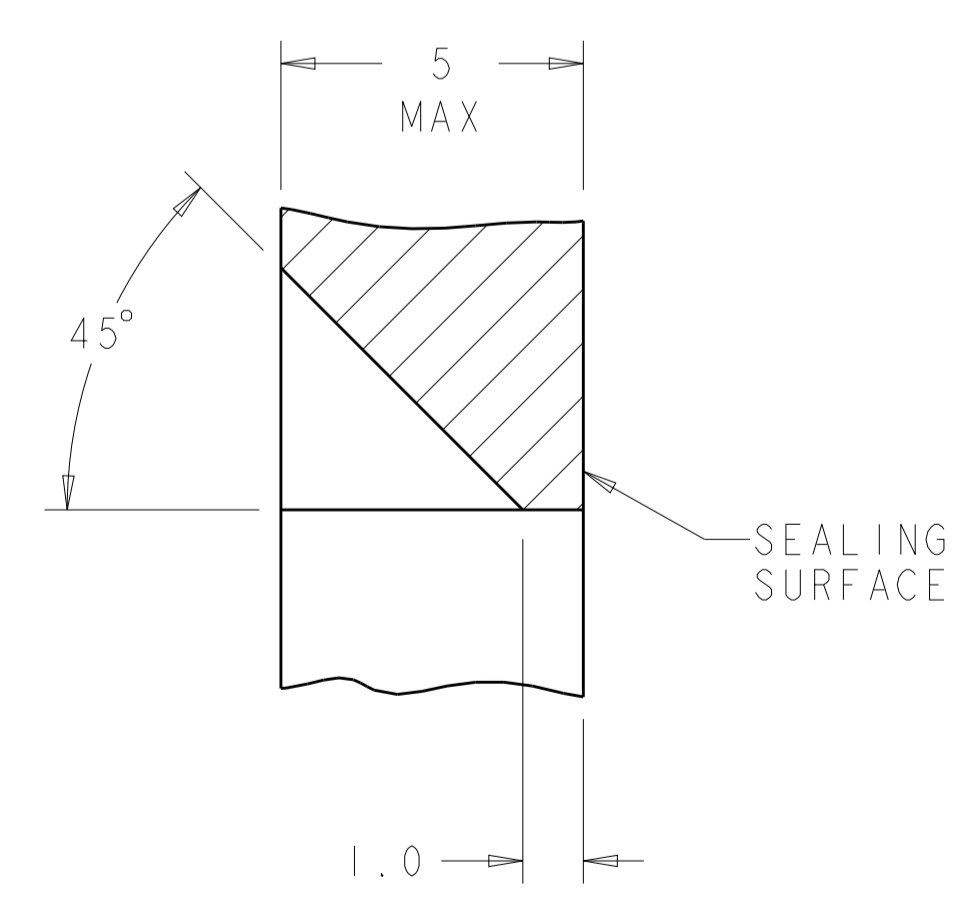
RECOMMENDED MOUNTING HOLE LAYOUT FOR 5.0 MAX THICK PANEL



RECOMMENDED P.C. BOARD LAYOUT FOR 1.57 THICK P.C. BOARD



SECTION Z-Z
 OPTIONAL CONSTRUCTION IF THICKNESS IS GREATER THAN 2.0
 SCALE 8:1



SECTION Z-Z
 OPTIONAL CONSTRUCTION IF THICKNESS IS GREATER THAN 2.0
 SCALE 8:1

THIS DRAWING IS A CONTROLLED DOCUMENT.		OWN R. VESTAL 31DEC2002	TE Connectivity
DIMENSIONS: mm		CHK D. CROWE 31DEC2002	
TOLERANCES UNLESS OTHERWISE SPECIFIED:		APVD D. CROWE 31DEC2002	NAME HEADER ASSEMBLY, 23 POSITION, RIGHT ANGLE AMPSEAL
0 PLC ±0.3	1 PLC ±0.13	PRODUCT SPEC	SIZE A100779
2 PLC ±0.13	3 PLC ±0.13	APPLICATION SPEC	CAGE CODE C=770669
4 PLC ±0.13	5 PLC ±0.13	WEIGHT	RESTRICTED TO
ANGLES ±0.5	FINISH	Customer Drawing	SCALE 2:1 SHEET 2 OF 2 REV K7