



Chipsmall Limited consists of a professional team with an average of over 10 year of expertise in the distribution of electronic components. Based in Hongkong, we have already established firm and mutual-benefit business relationships with customers from,Europe,America and south Asia,supplying obsolete and hard-to-find components to meet their specific needs.

With the principle of "Quality Parts,Customers Priority,Honest Operation,and Considerate Service",our business mainly focus on the distribution of electronic components. Line cards we deal with include Microchip,ALPS,ROHM,Xilinx,Pulse,ON,Everlight and Freescale. Main products comprise IC,Modules,Potentiometer,IC Socket,Relay,Connector.Our parts cover such applications as commercial,industrial, and automotives areas.

We are looking forward to setting up business relationship with you and hope to provide you with the best service and solution. Let us make a better world for our industry!



Contact us

Tel: +86-755-8981 8866 Fax: +86-755-8427 6832

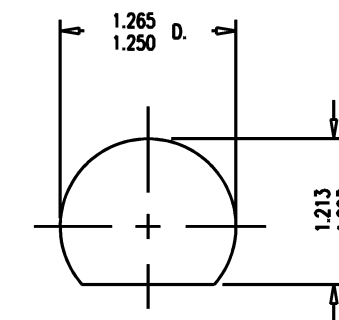
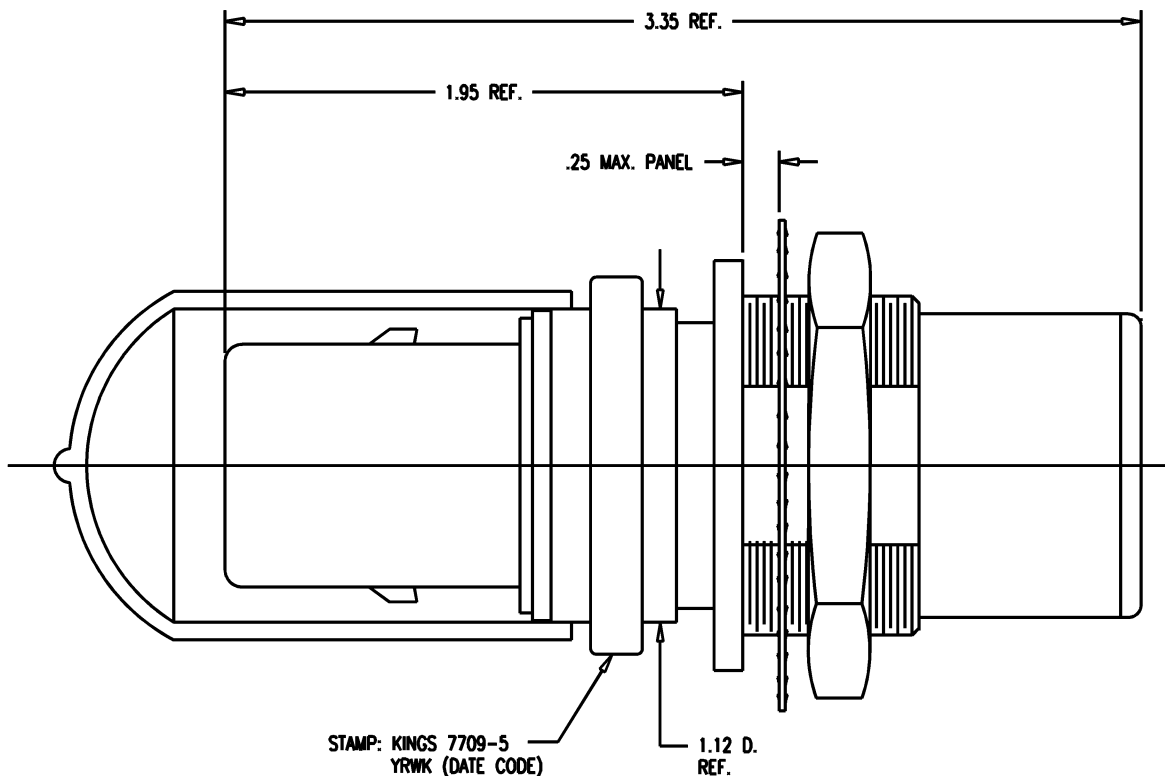
Email & Skype: info@chipsmall.com Web: www.chipsmall.com

Address: A1208, Overseas Decoration Building, #122 Zhenhua RD., Futian, Shenzhen, China



DASH NO.	M CODE	MADE FROM
----------	--------	-----------

SD



MOUNTING HOLE

SD

REVISIONS	
ISSUE	CHANGES
0	ER 35443 KH 04/10/95
1	CN 36674 C KH 11/03/95
2	CN 37274 D PG 03/13/97
3	CN 37894 E TML 10/07/99

7709-5

7709-5SD

NOTES:

1. MATERIALS:
 INSULATORS-TEFLON, ASTM-D-4894
 LOCKWASHER-SPRING STEEL, PER ASTM A682
 CONDUCTIVE GASKET-CONSIL C 87-10004, 60-70 DUROMETER
 GASKETS-SILICONE RUBBER, ZZ-R-765
 CAP-VINYL
 K-GRIP SLEEVE-COMMERCIAL BRONZE, ASTM-B-135
 OUTER CONTACT-PHOSPHOR BRONZE, ASTM-B-103
 BODY-BER. COP., ASTM-B-196
 CENTER CONTACT F: BER. COP., ASTM-B-196
 ALL OTHER METAL PARTS-BRASS, ASTM-B16

2. FINISHES:
 CENTER CONTACTS-GOLD PLATE PER MIL-G-45204
 LOCKWASHER }
 NUTS } KINGS TARNISH RESISTANT NICKEL FINISH (TR-5)
 COLLET }
 OUTER BODIES }
 BODY RING }
 ALL OTHER METAL PARTS-SILVER PLATE PER QQ-S-365
3. ELECTRICAL CHARACTERISTICS:
 NOMINAL IMPEDANCE: 75 OHMS
 FREQUENCY RANGE: DC-500 MHZ
 VOLTAGE BREAKDOWN: CENTER CONDUCTOR/INNER GROUND: 1500 VRMS
 INNER GROUND/OUTER GROUND: 500 VRMS

SCALE 2:1	
APPROX SURFACE AREA	
USED ON	
REF: KP-8040-007-001	
ADPT, M-F, BKHD, TRI-LOC, SERIAL DIGITAL	
DRAWN KH	DATE 04/20/95
DESIGN DW	DATE 04/21/95
APPR.	DATE

KINGS
 ELECTRONICS CO., INC.
 ROCK HILL, SOUTH CAROLINA 29730

7709-5