



Chipsmall Limited consists of a professional team with an average of over 10 year of expertise in the distribution of electronic components. Based in Hongkong, we have already established firm and mutual-benefit business relationships with customers from,Europe,America and south Asia,supplying obsolete and hard-to-find components to meet their specific needs.

With the principle of “Quality Parts,Customers Priority,Honest Operation,and Considerate Service”,our business mainly focus on the distribution of electronic components. Line cards we deal with include Microchip,ALPS,ROHM,Xilinx,Pulse,ON,Everlight and Freescale. Main products comprise IC,Modules,Potentiometer,IC Socket,Relay,Connector.Our parts cover such applications as commercial,industrial, and automotives areas.

We are looking forward to setting up business relationship with you and hope to provide you with the best service and solution. Let us make a better world for our industry!



Contact us

Tel: +86-755-8981 8866 Fax: +86-755-8427 6832

Email & Skype: info@chipsmall.com Web: www.chipsmall.com

Address: A1208, Overseas Decoration Building, #122 Zhenhua RD., Futian, Shenzhen, China

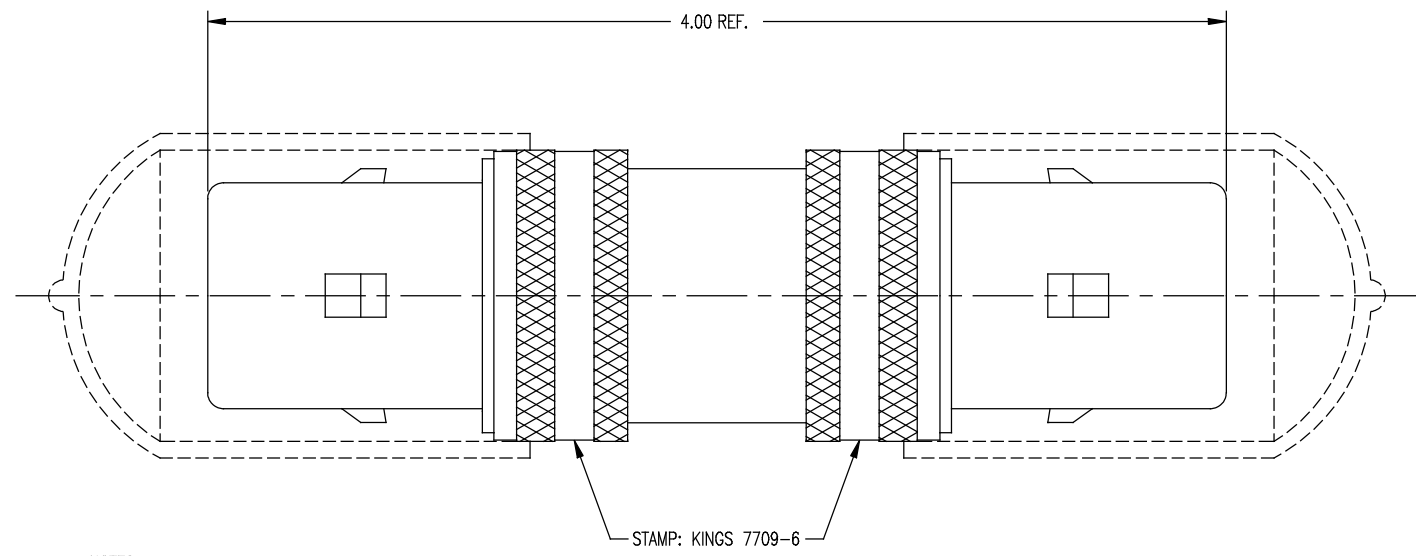


GSD

7709-6

REVISIONS

ISSUE	CHANGES
0	ER 35438 ME 04/25/95



NOTES:

- MATERIAL:
 - INSULATORS: TEFLON, ASTM-D-4894
 - GASKETS: SILICONE RUBBER, ZZ-R-765
 - CONDUCTIVE GASKETS: CONSIL C 87-10004, 60-70 DUROMETER
 - CONTACT TIPS: DELRIN 150
 - PROTECTIVE CAPS: VINYL
 - E-RING: CARBON SPRING STEEL
 - BODY: BER. COPPER, ASTM-B-196
 - INT. CONTACTS: PHOSPHOR BRONZE, ASTM-B-103
 - ALL OTHER PARTS: BRASS, ASTM-B16
- FINISH:
 - CENTER CONTACT: HARD GOLD PLATE PER MIL-G-45204
 - ALL OTHER METAL PARTS: KINGS TARNISH RESISTANT NICKEL FINISH (TR-5)
- ELECTRICAL CHARACTERISTIC:
 - NOMINAL IMPEDANCE: 75 ~W
 - FREQUENCY RANGE: DC TO 500 MHz
 - VOLTAGE BREAKDOWN:
 - CENTER CONDUCTOR/INNER GROUND: 1500 VOLTS RMS
 - INNER GROUND/OUTER GROUND: 500 VOLTS RMS

QGS0374

SCALE 2:1

APPROX SURFACE AREA

USED ON

REF: KP-8030-000-000

ADAPTER, M-M, BULKHEAD
TRI-LOC, SERIAL DIGITAL

DRAWN ME DATE 04/25/95

DESIGN DW DATE 04/28/95

APPR. DATE

KINGS
ELECTRONICS CO., INC.
TUCKAHOE, NEW YORK 10707

GSD

7709-6