



Chipsmall Limited consists of a professional team with an average of over 10 year of expertise in the distribution of electronic components. Based in Hongkong, we have already established firm and mutual-benefit business relationships with customers from,Europe,America and south Asia,supplying obsolete and hard-to-find components to meet their specific needs.

With the principle of “Quality Parts,Customers Priority,Honest Operation,and Considerate Service”,our business mainly focus on the distribution of electronic components. Line cards we deal with include Microchip,ALPS,ROHM,Xilinx,Pulse,ON,Everlight and Freescale. Main products comprise IC,Modules,Potentiometer,IC Socket,Relay,Connector.Our parts cover such applications as commercial,industrial, and automotives areas.

We are looking forward to setting up business relationship with you and hope to provide you with the best service and solution. Let us make a better world for our industry!



## Contact us

Tel: +86-755-8981 8866 Fax: +86-755-8427 6832

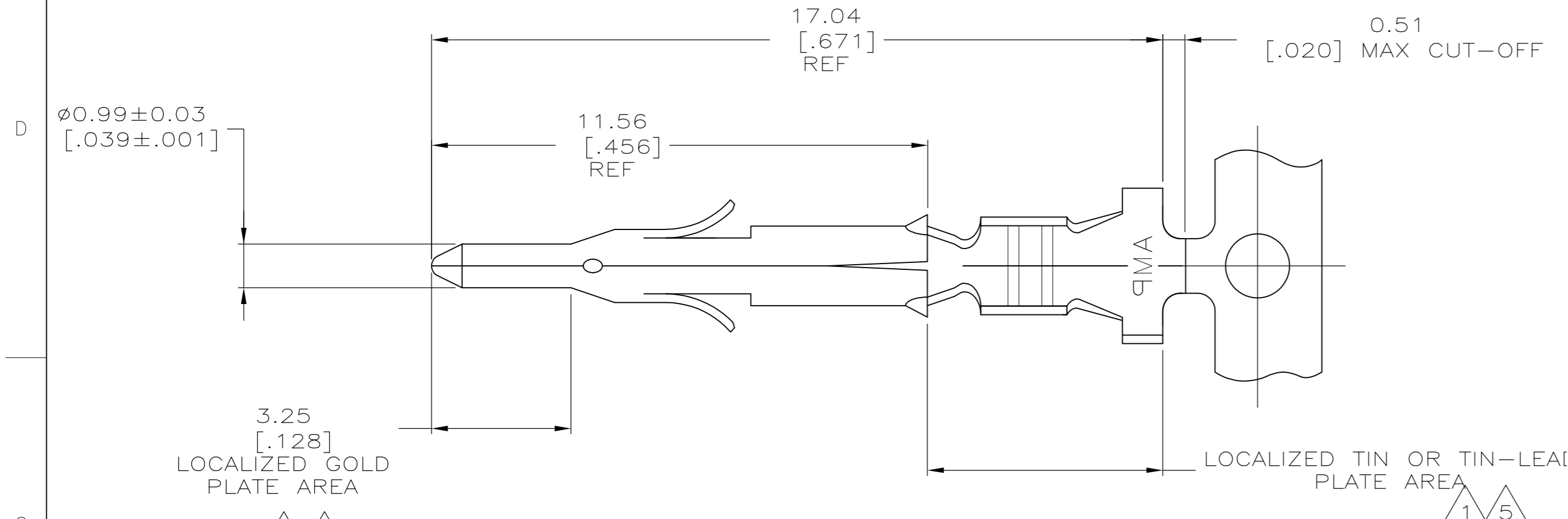
Email & Skype: info@chipsmall.com Web: www.chipsmall.com

Address: A1208, Overseas Decoration Building, #122 Zhenhua RD., Futian, Shenzhen, China

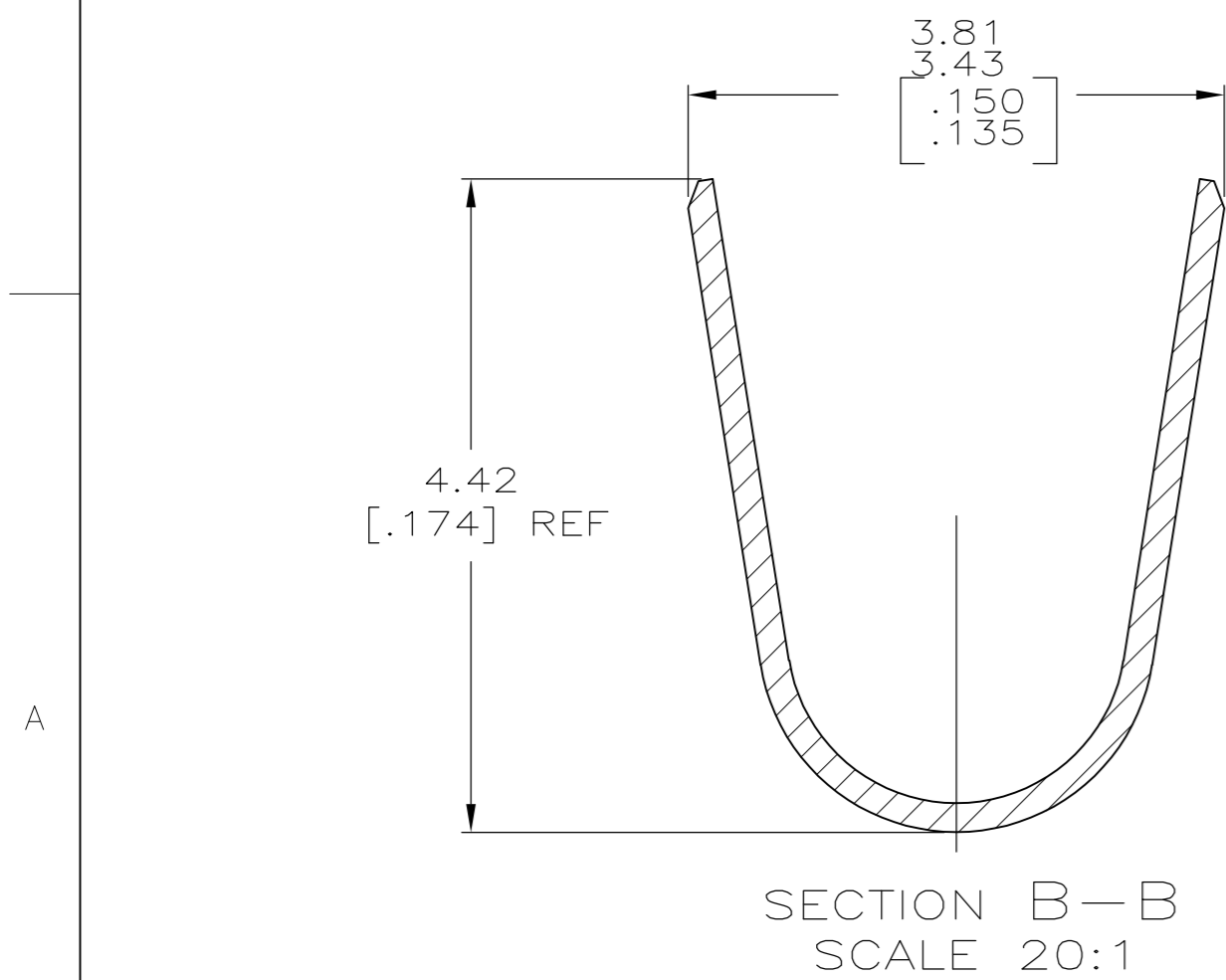
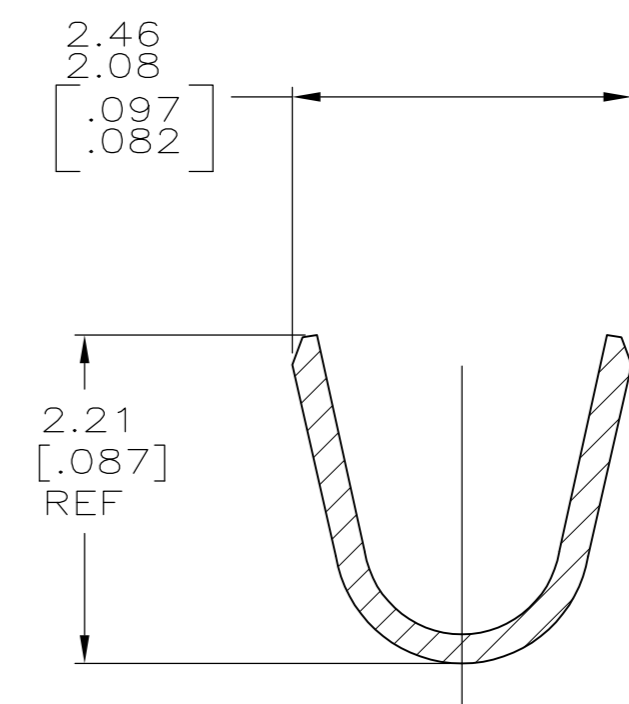
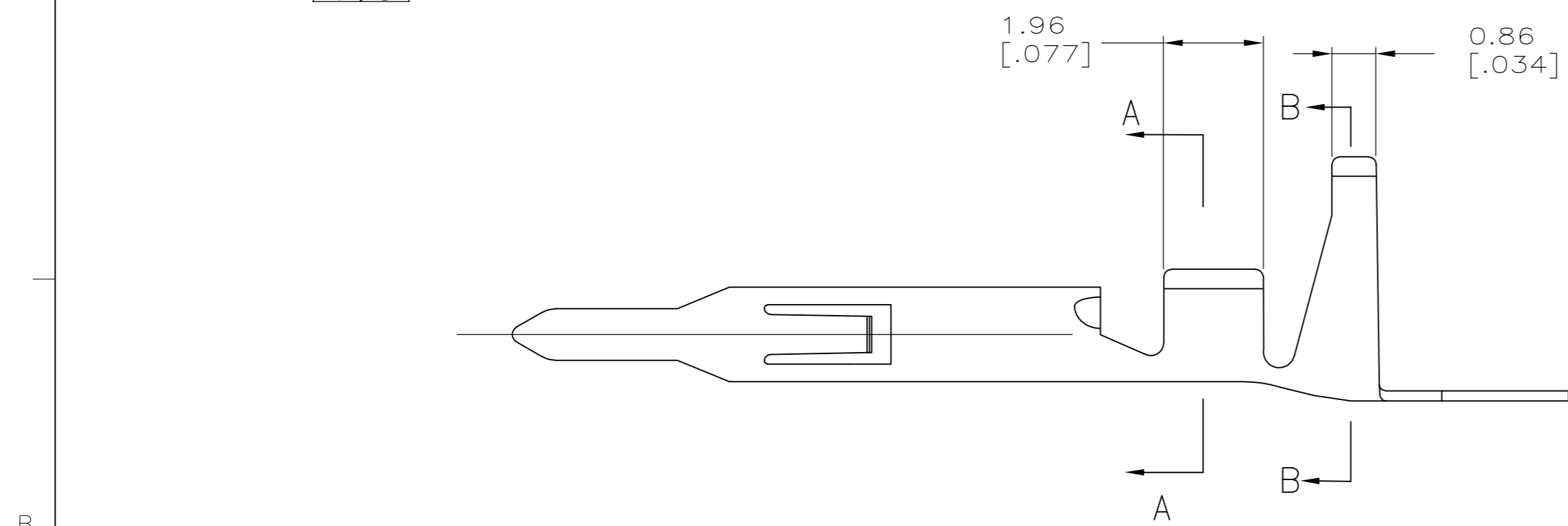


THIS DRAWING IS UNPUBLISHED. RELEASED FOR PUBLICATION  
 © COPYRIGHT - By - ALL RIGHTS RESERVED.

LOC		DIST		REVISIONS			
P	LTR	DESCRIPTION		DATE	DWN	APVD	
S		ECO-13-000901		07MAR13	MGT	R.P	



- 1 0.00076 [ $0.000030$ ] MIN GOLD IN LOCALIZED GOLD PLATE AREA AND 0.00254 [ $0.000100$ ] MIN BRIGHT TIN-LEAD IN LOCALIZED TIN-LEAD PLATE AREA OVER 0.00130 [ $0.000050$ ] MIN NICKEL.
- 2 WIRE RANGE: 0.3 - 0.9mm<sup>2</sup> (22-18 AWG).
- 3 INSULATION RANGE: 1.50-2.39 [ $0.059-0.094$ ] DIA.
- 4 DIMENSIONS IN BRACKETS ARE IN INCHES.
- 5 0.00076 [ $0.000030$ ] MIN GOLD IN LOCALIZED GOLD PLATE AREA AND 0.00254 [ $0.000100$ ] MIN BRIGHT TIN IN LOCALIZED TIN PLATE AREA OVER 0.00130 [ $0.000050$ ] MIN NICKEL.



FINISH	MATERIAL	PART NUMBER
5	0.20 [ $0.008$ ] PHOS BRZ	1-770903-1
5	0.20 [ $0.008$ ] BRASS	1-770903-0
1	0.20 [ $0.008$ ] PH BRZ	770903-6
1	0.20 [ $0.008$ ] BRASS	770903-3
PRE-TIN	0.20 [ $0.008$ ] BRASS	770903-1

THIS DRAWING IS A CONTROLLED DOCUMENT.

DIMENSIONS: mm [INCHES]	TOLERANCES UNLESS OTHERWISE SPECIFIED: 0 PLC ± - 1 PLC ± - 2 PLC ± - 3 PLC ± 0.13[.005] 4 PLC ± - ANGLES ± -	DWN S. HOOVER 05MAR03 CHK C. JONES 05MAR03 APVD C. JONES 05MAR03 PRODUCT SPEC APPLICATION SPEC WEIGHT -	NAME PIN MINI UNIVERSAL MATE-N-LOK(TM)
MATERIAL -	FINISH -	SIZE A2 CAGE CODE 00779 DRAWING NO C-770903	RESTRICTED TO -

CUSTOMER DRAWING SCALE 10:1 SHEET 1 OF 1 REV S