



Chipsmall Limited consists of a professional team with an average of over 10 year of expertise in the distribution of electronic components. Based in Hongkong, we have already established firm and mutual-benefit business relationships with customers from,Europe,America and south Asia,supplying obsolete and hard-to-find components to meet their specific needs.

With the principle of "Quality Parts,Customers Priority,Honest Operation,and Considerate Service",our business mainly focus on the distribution of electronic components. Line cards we deal with include Microchip,ALPS,ROHM,Xilinx,Pulse,ON,Everlight and Freescale. Main products comprise IC,Modules,Potentiometer,IC Socket,Relay,Connector.Our parts cover such applications as commercial,industrial, and automotives areas.

We are looking forward to setting up business relationship with you and hope to provide you with the best service and solution. Let us make a better world for our industry!



Contact us

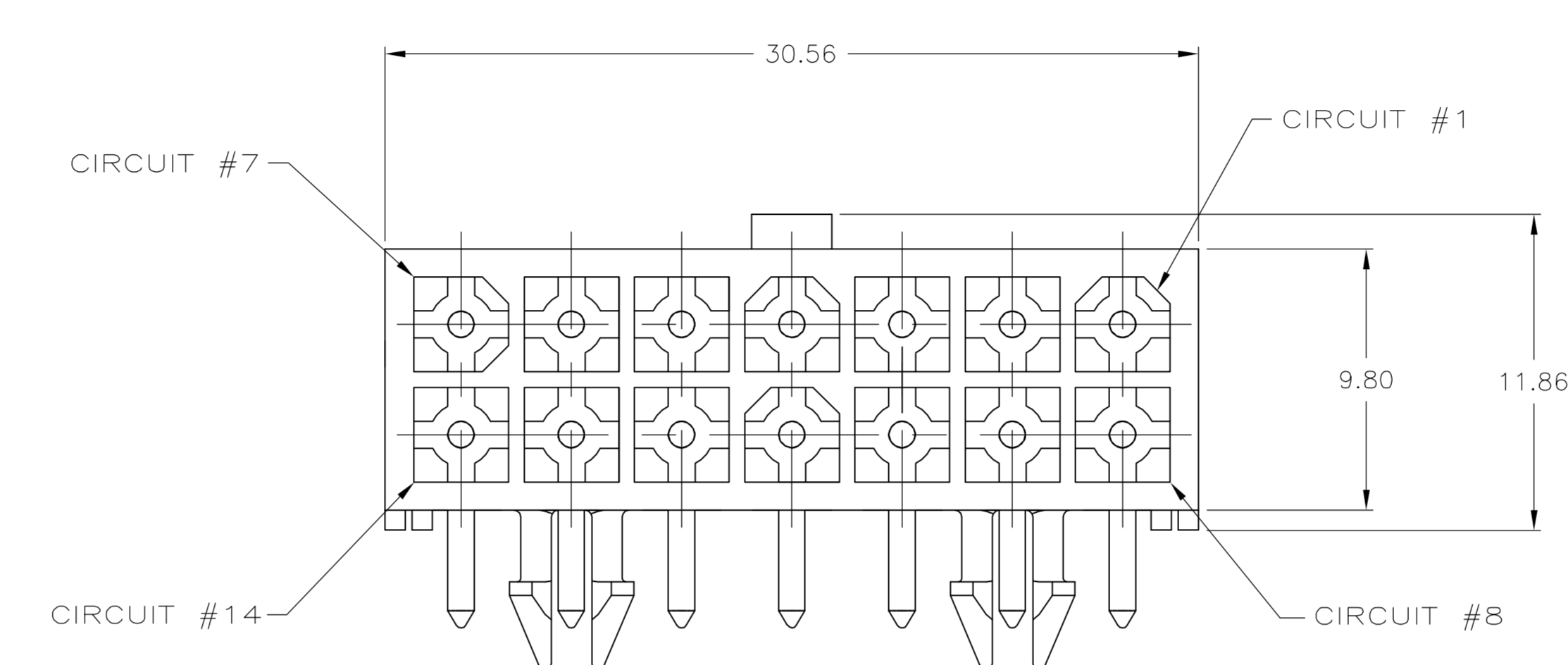
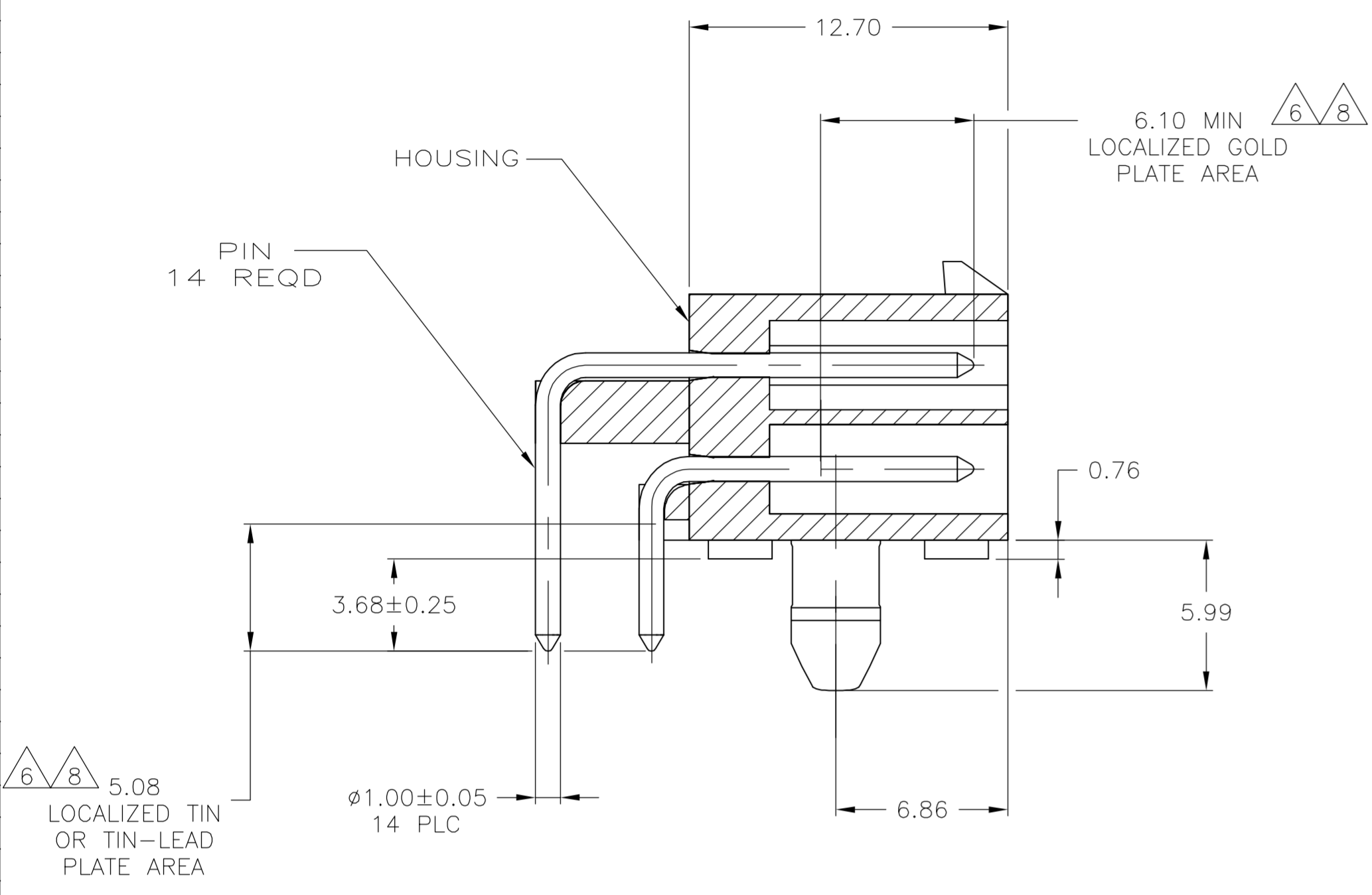
Tel: +86-755-8981 8866 Fax: +86-755-8427 6832

Email & Skype: info@chipsmall.com Web: www.chipsmall.com

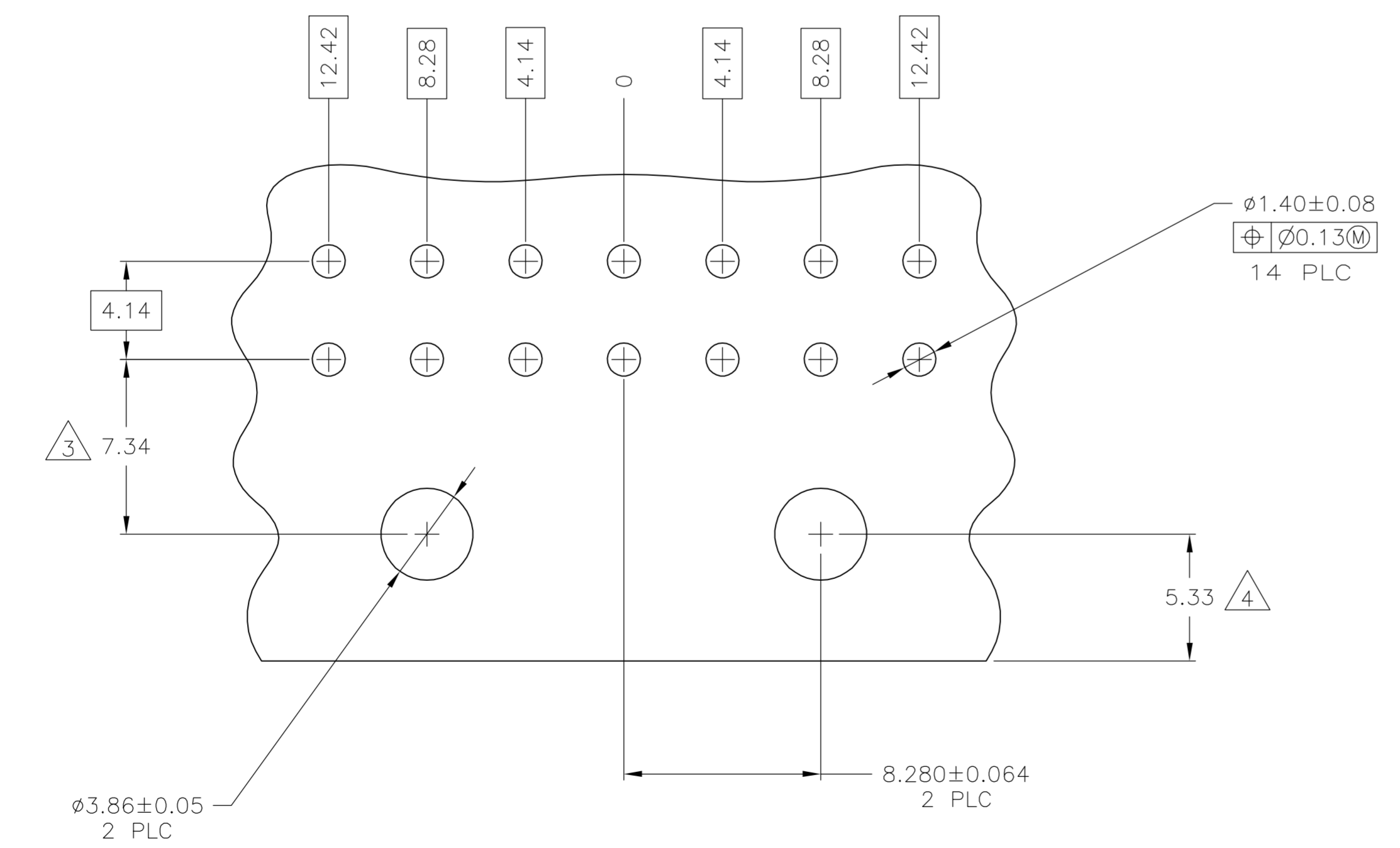
Address: A1208, Overseas Decoration Building, #122 Zhenhua RD., Futian, Shenzhen, China



LOC		DIST		REVISIONS			
P	LTR	DESCRIPTION	DATE	OWN	APVD		
G		EC 003B 0213 05	19AUG05	BSV	RCJ		



- PINS TO COMPLY WITH AMP SOLDERABILITY SPEC 109-11-3.
- MATES WITH PLUG P/N 770582-1.
- COORDINATE DIMENSION APPLIES FROM CENTER OF ACTUAL FEATURE.
- RECOMMENDED FOR EDGE MOUNTING.
- 0.00381 MIN MATTE TIN LEAD OVER 0.00127 MIN NICKEL ENTIRE LENGTH OF PIN.
- 0.00076 MIN GOLD PLATE IN THE LOCALIZED PLATE AREA, 0.00381 MIN MATTE TIN LEAD IN THE LOCALIZED PLATE AREA, BOTH OVER 0.00127 MIN NICKEL.
- 0.00381 MIN MATTE TIN OVER 0.00127 MIN NICKEL ENTIRE LENGTH OF PIN.
- 0.00076 MIN GOLD PLATE IN THE LOCALIZED GOLD PLATE AREA, 0.00381 MIN MATTE TIN IN THE LOCALIZED TIN PLATE AREA, BOTH OVER 0.00127 MIN NICKEL.



RECOMMENDED MOUNTING HOLE PATTERN FOR 1.57 THICK P.C. BOARD

MM	IN	MM	IN
3.86	.152	30.56	1.203
3.68	.145	12.70	.500
1.57	.062	12.42	.489
1.40	.055	9.80	.386
1.00	.039	8.280	.3260
0.76	.030	8.28	.326
0.25	.010	7.34	.289
0.13	.005	6.86	.270
0.08	.003	6.10	.240
0.064	.0025	5.99	.236
0.05	.002	5.33	.210
0.00381	.000150	5.08	.200
0.00127	.000050	4.14	.163
0.00076	.000030		
MM	IN	MM	IN

MATERIAL	FINISH	MATERIAL	COLOR	PART NO.
BRASS	8	NYLON, UL94V-0	WHITE	1-770973-1
BRASS	7	NYLON, UL94V-0	WHITE	1-770973-0
BRASS	6	NYLON, UL94V-0	WHITE	770973-2
BRASS	5	NYLON, UL94V-0	WHITE	770973-1

THIS DRAWING IS A CONTROLLED DOCUMENT.

DWG: S. CARPENTER	24JUL03		Tyco Electronics Corporation	
CHK: C. JONES	24JUL03		Harrisburg, PA 17105-3608	
APVD: G. JONES	24JUL03	NAME:	HEADER ASSEMBLY, RIGHT ANGLE, WITH SHORT PEG, 14 CIRCUIT, MINI UNIVERSAL MATE-N-LOK(TM)	
DIMENSIONS: mm	TOLERANCES UNLESS OTHERWISE SPECIFIED:	PRODUCT SPEC:	APPLICATION SPEC:	RESTRICTED TO:
0 PLC ± -	1 PLC ± -	2 PLC ± -	3 PLC ± 0.13	4 PLC ± -
ANGLES ± -				
MATERIAL: SEE TABLE	FINISH: SEE TABLE	WEIGHT: -	SIZE: A1	SCALE: 5:1
		CUSTOMER DRAWING	00779	SHEET 1 OF 1

